



**BOARD LEVEL COOLING – Screw On 3210**

Screw On 3210 is a series of two piece board level heat sinks designed to cool TO-5 and TO-39 devices. Representative image only.



**ORDERING INFORMATION**

Part Number	Device Type
321127B00000G	TO-5
321527A00000G	TO-5, TO-39
321527B00000G	TO-5, TO-39

**HEAT SINK DETAILS**

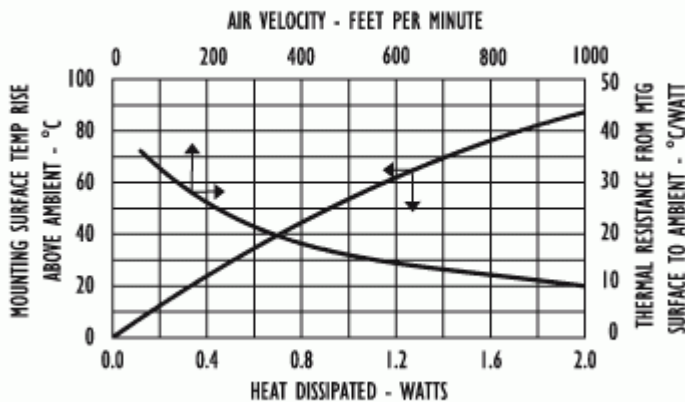
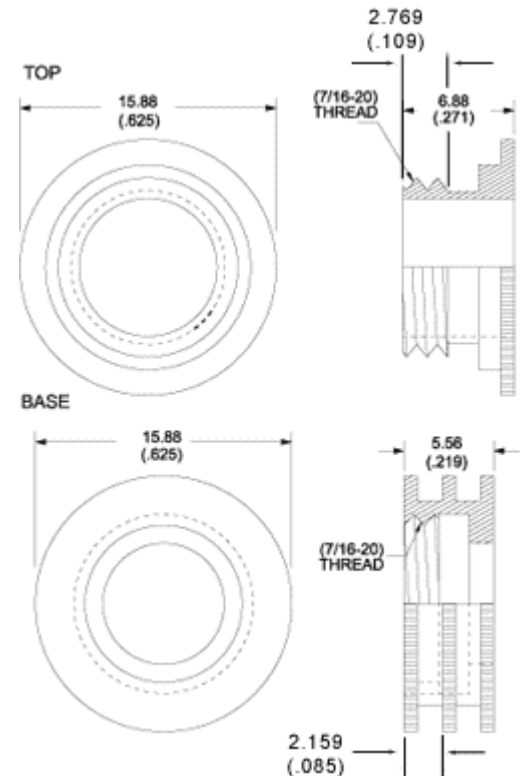
Property	Details
<i>Material</i>	Aluminum
<i>Finish: 321127B00000G</i>	Black Anodize
<i>Finish: 321527B00000G</i>	Black Anodize
<i>Finish: 321527A00000G</i>	Hard Black Anodize
<i>Device Attachment Options</i>	Screw-On
<i>Thermal Interface Material</i>	-
<i>Heat Sink Mounting Direction</i>	Horizontal, Vertical

**MECHANICAL & PERFORMANCE**

Drawing dimensions are shown in mm, (in)

Part Number	Heat Sink Length	Heat Sink Width	Heat Sink Height
321127B00000G	15.88	15.88	10.28
321527A00000G	19.05	19.05	10.55
321527B00000G	19.05	19.05	10.55

Part Number: 321127B00000G



Part Number: 321527A00000G, 321527B00000G

