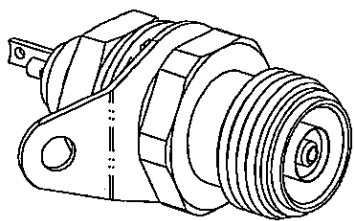


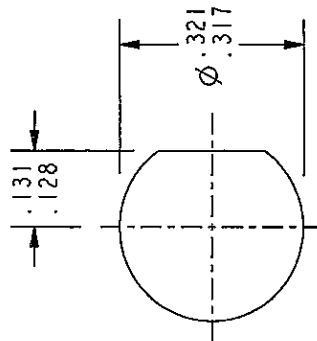
DATA CONTAINED IN THIS DOCUMENT IS PROPRIETARY TO TROMPETER ELECTRONICS, INC. AND SHALL NOT BE DISCLOSED, COPIED OR USED FOR PROCUREMENT OR MANUFACTURE WITHOUT EXPRESS WRITTEN PERMISSION.

**REVISIONS**

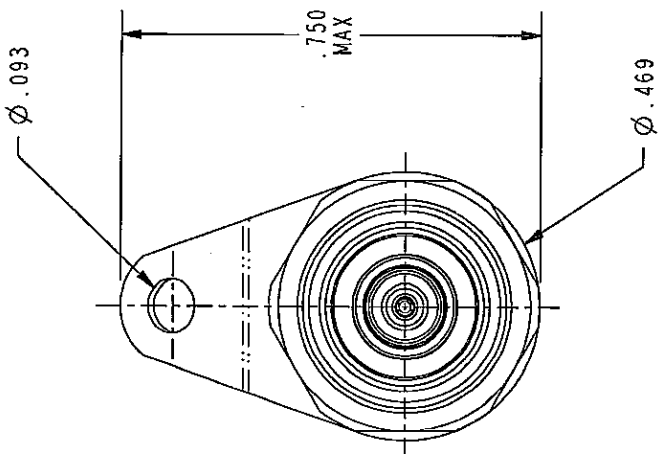
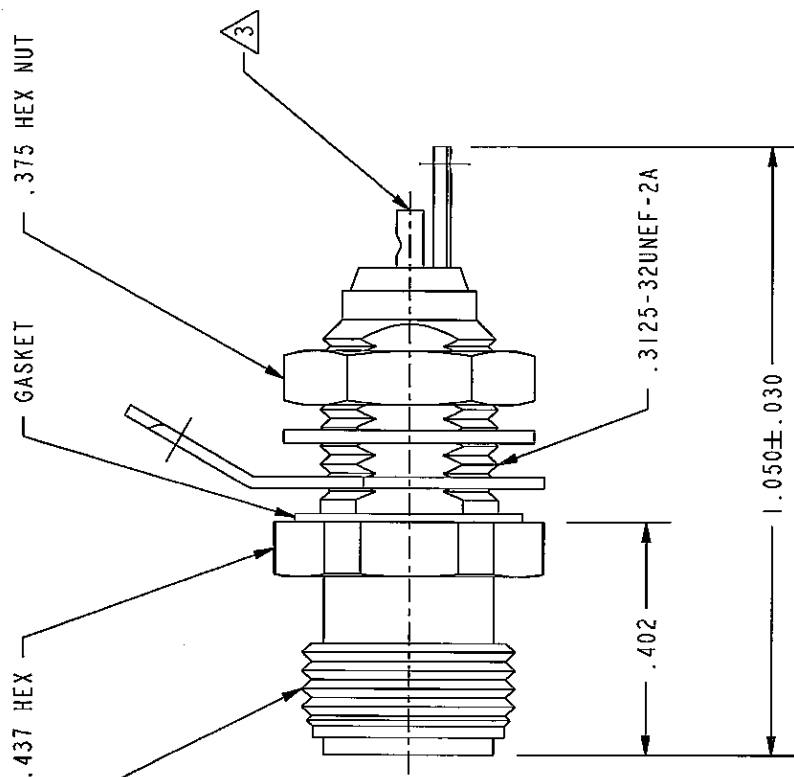
REV	DESCRIPTIONS	DATE	APPROVED
F	REVISED PER ECO 15468	6/19/04	[Signature]



SCALE 2/1



RECOMMENDED  
PANEL CUTOUT  
SCALE 3/1



**RED INDICATES ORIGINAL**

4. SUBMINIATURE TRIAXIAL SOLDER POT BULKHEAD RECEPTACLE (TTM)

△ SOLDER POT ACCEPTS Ø .034 CONDUCTOR

2. MAXIMUM PANEL THICKNESS: .187

1. FINISH: TFS-1A (NICKEL)

NOTES: UNLESS OTHERWISE SPECIFIED.

		TITLE: BJ3157	
INTERPRET DRAWING PER MIL-STD-100. DIMENSIONS ARE IN INCHES AND INCLUDE FINISH THICKNESS UNLESS OTHERWISE SPECIFIED.	TOL: UNLESS SPECIFIED: .XX ± .02 .XXX ± .010 ANGLE ± 1°	MATERIAL: 5-20-04	FINISH: TFS-1A
DWN L. M. CHK [Signature] QTY [Signature] MFG [Signature] APPROV [Signature]	DATE: 6-3-04 6/19/04 6/19/04 6/19/04	DO NOT SCALE DWG 3-0046	SCALE: 3/1
NEXT ASSY	REV: F	DATE: 8-8-80	SHEET: 1C
SIZE: A	CAGE CODE: 14949	DRAWING NO.: 3-0046	REV: F