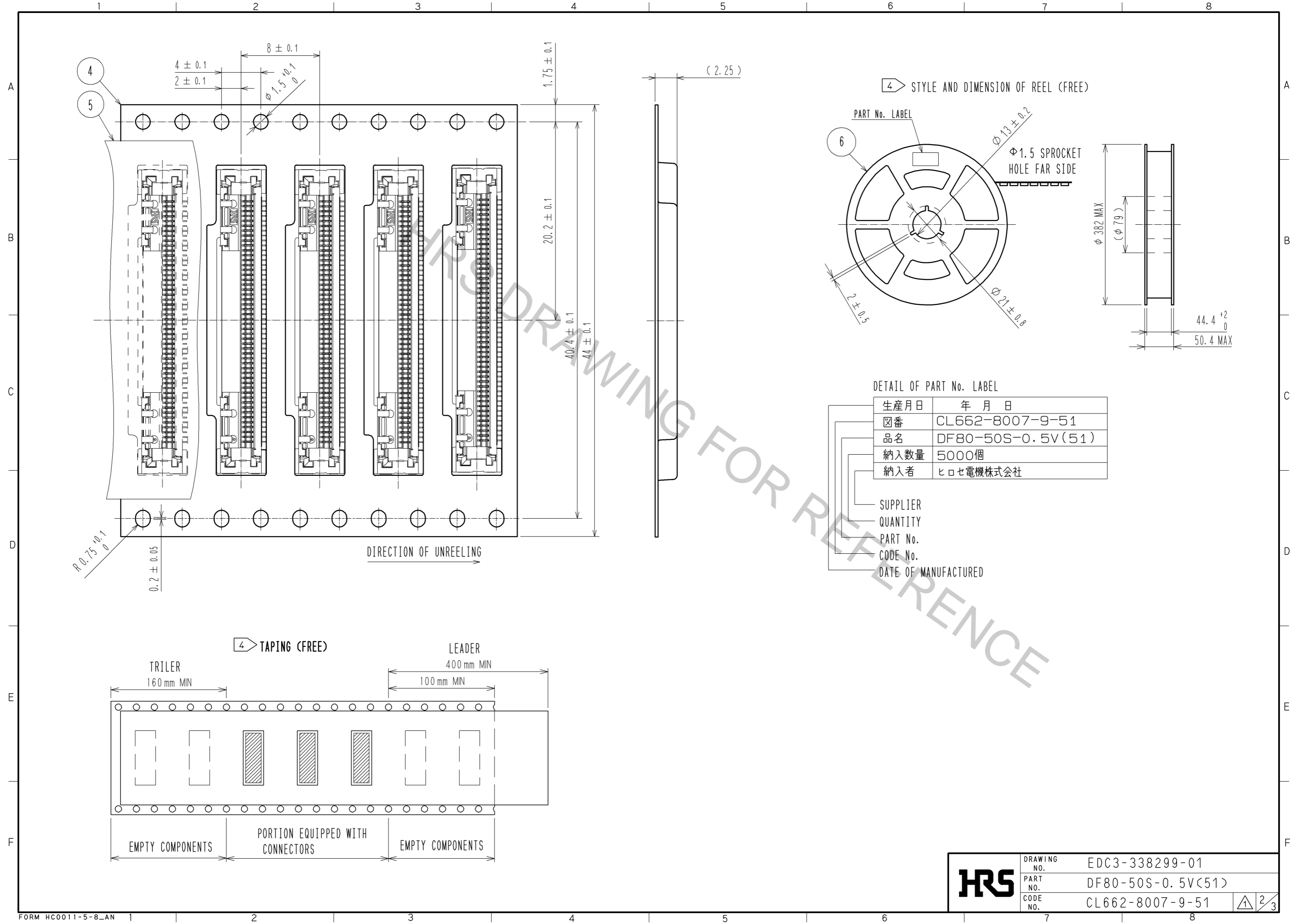


- NOTES 1. LEAD CO-PLANARITY SHALL BE 0.1mmMAX.  
 2. PER REEL : 5000 COMPONENTS.  
 3. THE DIMENSIONS IN PARENTHESES ARE FOR REFERENCE.  
 4. REFER TO JIS 0806. (PACKING OF COMPONENTS FOR AUTO HANDRING)

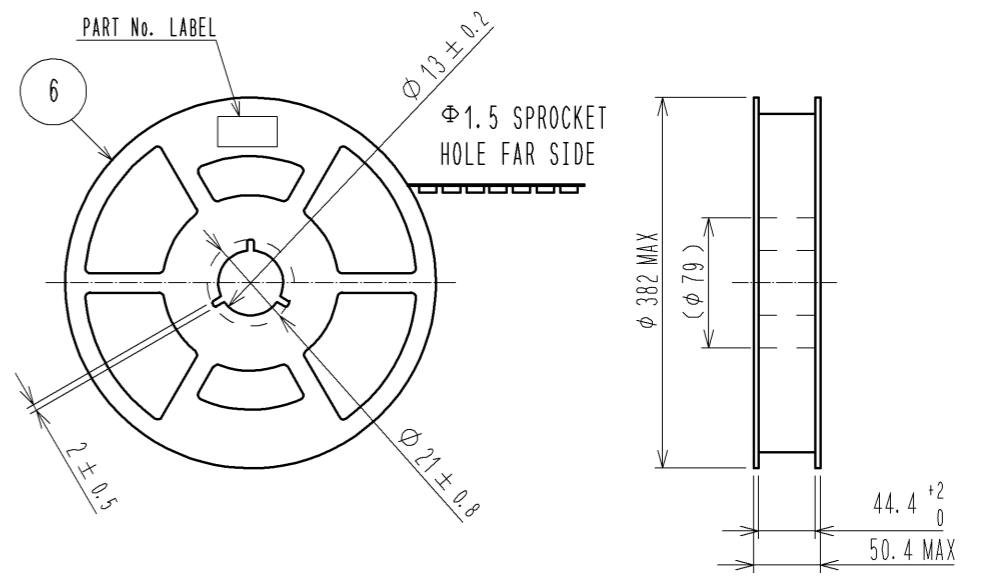
RECOMMENDED METAL MASK  
 THICKNESS 0.1mm  
 OPENING RATIO 100% (LEAD PAD)  
 100% (GND PAD)

2	LCP	UL94V-0 , BLACK	6	PS	BLACK		
1	PHOSPHOR BRONZE	CONTACT AREA : Au PLATING 0.05μmMIN LEAD AREA : Au PLATING 0.05μmMIN UNDER PLATING : Ni PLATING 1μmMIN	5	POLYESTER	CLEAR		
			4	PS	CLEAR		
			3	PHOSPHOR BRONZE	WHOLE AREA : Sn PLATING 1μmMIN UNDER PLATING : Cu PLATING 0.3μmMIN		
NO.	MATERIAL	FINISH . REMARKS	NO.	MATERIAL	FINISH . REMARKS		
UNITS mm		SCALE 4 : 1	COUNT 1	DESCRIPTION OF REVISIONS DIS-H-007173	DESIGNED IO. DENPOUYA	CHECKED TS. SAKATA	DATE 12. 09. 04
<b>HRS</b> HIROSE ELECTRIC CO., LTD.		APPROVED : TS. SAKATA	12. 04. 17	DRAWING NO.	EDC3-338299-01		
		CHECED : TS. SAKATA	12. 04. 17	PART NO.	DF80-50S-0.5V(51)		
		DESIGNED : IO. DENPOUYA	12. 04. 17	CODE NO.	CL662-8007-9-51		
		DRAWN : IO. DENPOUYA	12. 04. 17				

Apr.1.2017 Copyright 2017 HIROSE ELECTRIC CO., LTD. All Rights Reserved.



4 STYLE AND DIMENSION OF REEL (FREE)

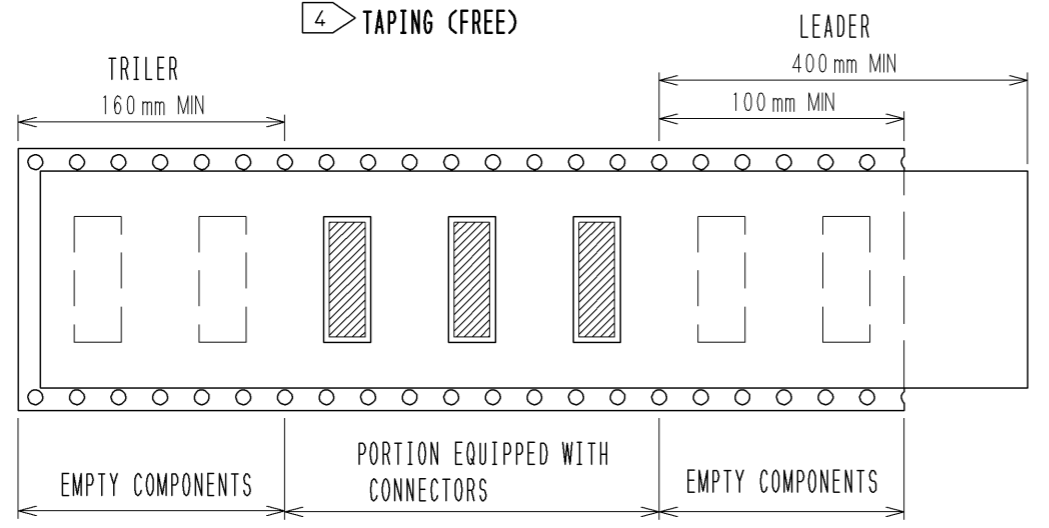


DETAIL OF PART No. LABEL

生産月日	年月日
図番	CL662-8007-9-51
品名	DF80-50S-0.5V(51)
納入数量	5000個
納入者	ヒロセ電機株式会社

SUPPLIER  
 QUANTITY  
 PART No.  
 CODE No.  
 DATE OF MANUFACTURED

4 TAPING (FREE)



<b>HRS</b>	DRAWING NO.	EDC3-338299-01	2/3
	PART NO.	DF80-50S-0.5V(51)	
	CODE NO.	CL662-8007-9-51	

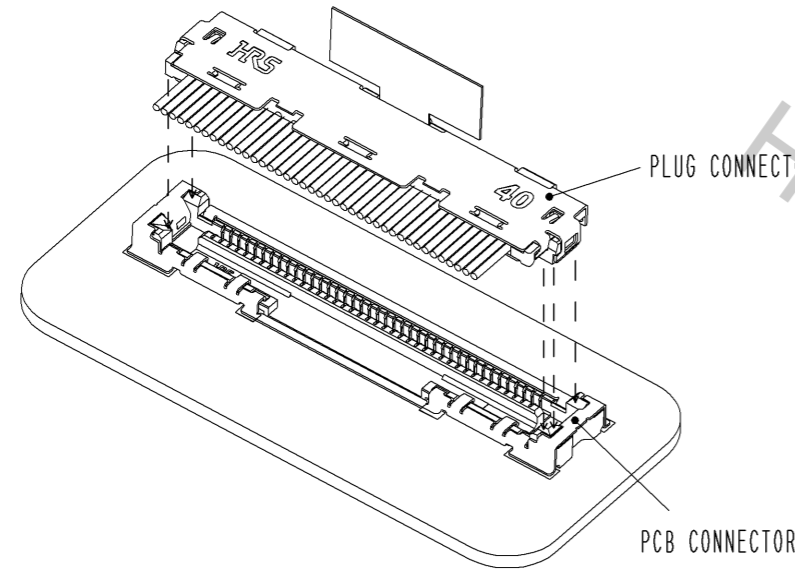
**[ CONNECTOR INSERTION ]**

1. ALIGN THE PLUG CONNECTOR TO THE GUIDES ON PCB CONNECTOR AND INSERT.
2. APPLY EVEN FORCE TO THE PLUG CONNECTOR SURFACE AND FEEL TACTILE CLICK FOR COMPLETE LOCK.

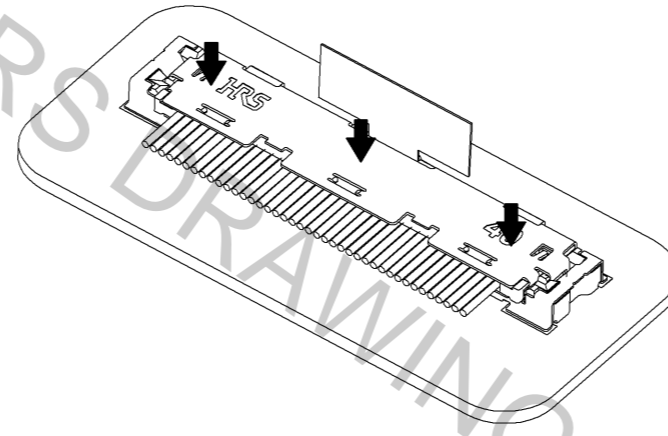
**SUPPLEMENTATION**

TOTAL HEIGHT IS KEPT WITHIN THE HEIGHT OF MATED CONNECTORS BY LAYING DOWN THE PULL TAB AS SHOWN.

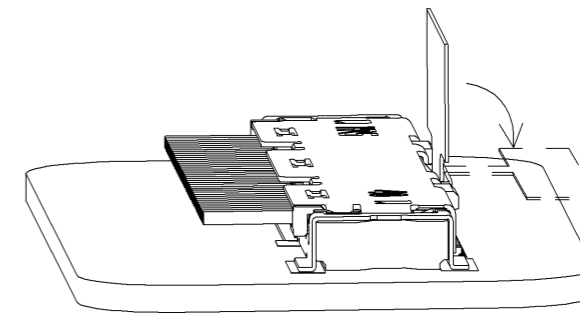
**PROCEDURE 1**



**PROCEDURE 2**



**SUPPLEMENTATION :  
METHOD OF STORING PULL TAB**



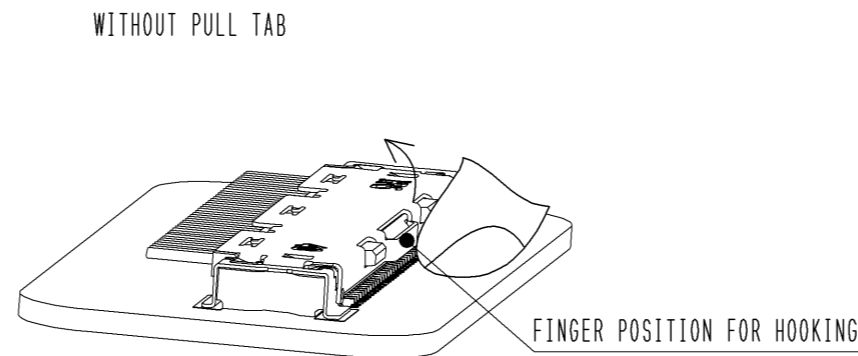
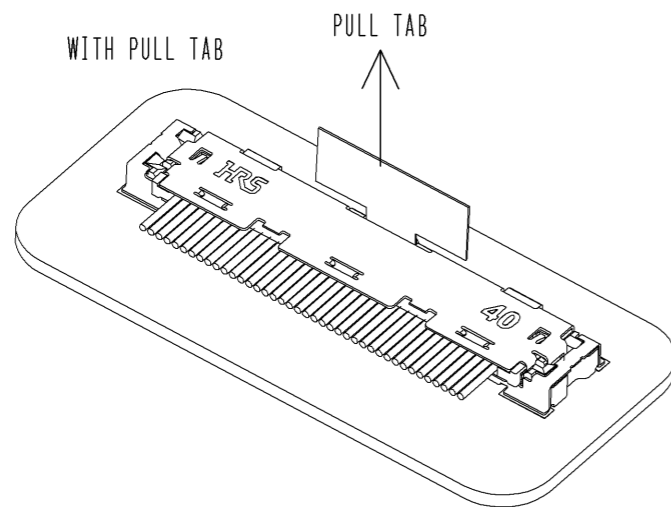
**[ CONNECTOR WITHDRAWAL ]**

**<WITH PULL TAB>**

BY PULLING UP THE TAB TO THE DIRECTION INDICATED WITH THE ARROW , PLUG CONNECTOR IS RELEASED.

**<WITHOUT PULL TAB>**

BY HOOKING THE PLUG CONNECTOR AT THE POSITION SHOWN WITH FINGER AND PULLING UP, PLUG CONNECTOR IS RELEASED.



**HRS**

DRAWING NO.	EDC3-338299-01
PART NO.	DF80-50S-0.5V<51>
CODE NO.	CL662-8007-9-51

3/3