

THIS DRAWING IS UNPUBLISHED. RELEASED FOR PUBLICATION .1998
 © COPYRIGHT 1998 BY AMP INCORPORATED. ALL RIGHTS RESERVED.

LOC	DIST	REVISIONS						
		P	LTR	DESCRIPTION	ECN	DATE	DWN	APVD
J	ZDI		A	REVISED	FJ00-1080-00	21/SEP '00	Y.K	S.M
			A1	ADD P/N.	FJ00-1259-00	11/OCT '00	D.M	S.M
			A2	OBSOLETE P/N.	ECR-08-006764	14/MAR 2008	Y.Y	D.M

注記

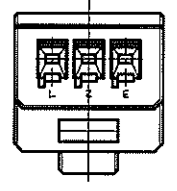
① 材料:ハウジング:ガラス入り熱可塑性ポリエステル樹脂(94V-0),色:黒

~~② ハウジング全面にテフロン塗装のこと~~

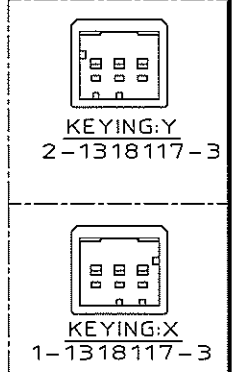
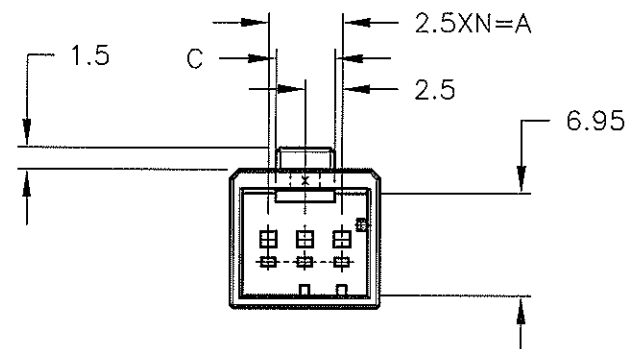
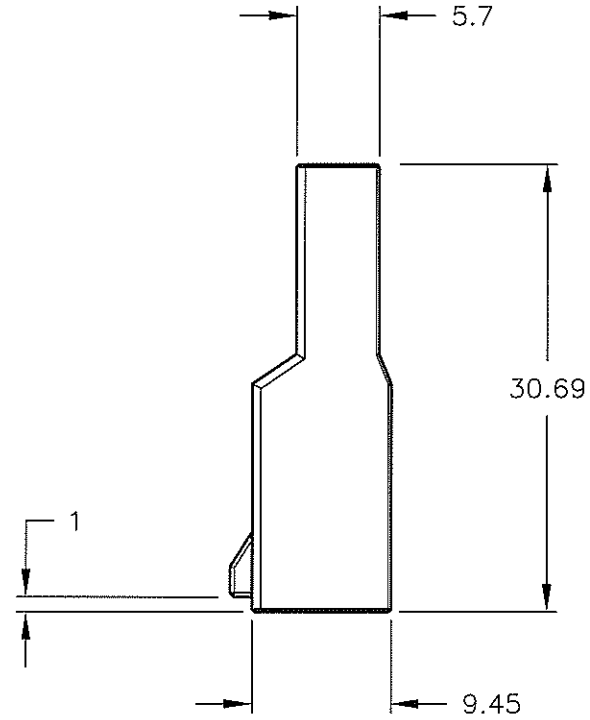
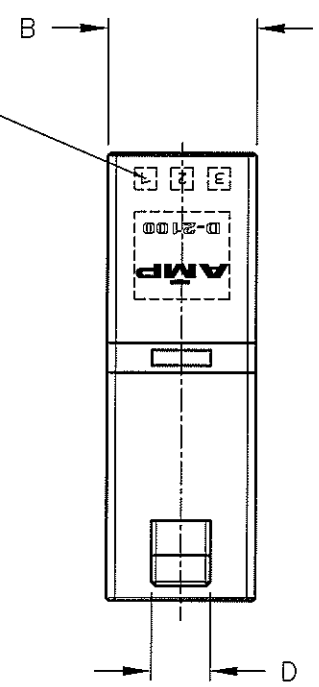
NOTES

① MATERIAL:HOUSING:GLASS FILED THERMO PLASTIC
 ,POLYESTER(94V-0),COLOR:BLACK

~~② TO COAT ALL SURFACE OF HOUSING WITH TEFLON~~



CIRCUIT NO.
回路番号



OBSOLETE	①	5	10.2	4	4	2	3	5-1318117-3
		5	10.2	4	4	2	3	2-1318117-3
		5	10.2	4	4	2	3	1-1318117-3
FINISH		A	B	C	D	N	POS	P/N

THIS DRAWING IS A CONTROLLED DOCUMENT FOR AMP INCORPORATED. IT IS SUBJECT TO CHANGE AND THE CONTROLLING ENGINEERING ORGANIZATION SHOULD BE CONTACTED FOR THE LATEST REVISION.		DWN K.IKEDA 7/DEC/98 CHK N.MATSUBARA 7/DEC/98 APVD I.HASEGAWA 7/DEC/98	Tyco Electronics Corporation Kawasaki, Japan
DIMENSIONS: 単位 種 mm	TOLERANCES UNLESS OTHERWISE SPECIFIED 一般公差 10% : ±0.3 30% > 10 : ±0.35 10% > 30 : ±0.4 ANGLE : ±3°	PRODUCT SPEC 108-5619 APPLICATION SPEC 114-5258 WEIGHT T1	NAME 1列タブハウジング フリーハンギングタイプ SINGLE ROW TAB HSG (FREE HANGING) <DYNAMIC D-2100D>
MATERIAL 材料 ①	FINISH 仕上	SIZE A3	CAGE CODE 00779
CUSTOMER DRAWING		DRAWING NO C-1318117	RESTRICTED TO -
		SCALE 2-1	SHEET 1 OF 1
			REV A2