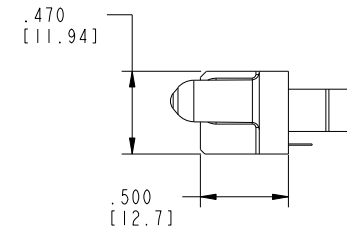
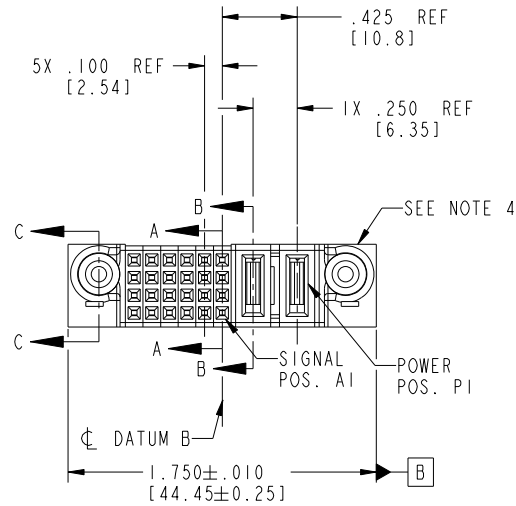


Tous droits strictement reserves. Reproduction ou communication a des tiers interdite sous quelque forme que ce soit sans autorisation écrite du propriétaire. Propriete de c.FCI. Droits de reproduction FCI.



All rights strictly reserved. Reproduction or issue to third parties in any form whatever is not permitted without written authority from the proprietor. Property of FCI. Copyright FCI.

PRODUCT NO.	ROWS	SIGNAL					POWER		E1		
		E2	6	5	4	3	2	1		P2	P1
51927-005-- NOTE: (3)	D C B A		E	E	E	E	E	E	PG	PG	



CODE	DIM "M" MATING LENGTH	CONTACT TYPE
E	N/A [N/A]	SIGNAL
PG	.042 [1.07]	POWER

mat'l code				SEE NOTE 2	tolerances unless otherwise specified		CUSTOMER		www.fciconnect.com
ltr	ecn no.	dr	date	linear	.XX±.01/0.X±0.3	projection	COPY		
A	DG05-0195	GUQJM	6/27/05		.XXX±.005/0.XX±0.13			title 2ACP+24S	
B	DG08-0273	WD	01/02/09	angles	.XXX±.0020/0.XXX±0.051	INCH/MM		VERTICAL STB CABLE RECEPT	
				dr	0°±2°	scale		product family	PwrBlade
				enr	SLUO 6/27/05	1:1		size	code
				chr	Sincer He 08/17/07			dwg no	213
				appd	VICTOR LIN 6/27/05			51927-005	sheet
					JOSEPH HSIA 6/27/05			1 of 4	
sheet index	revision sheet	B	B	B	B				
		1	2	3	4				

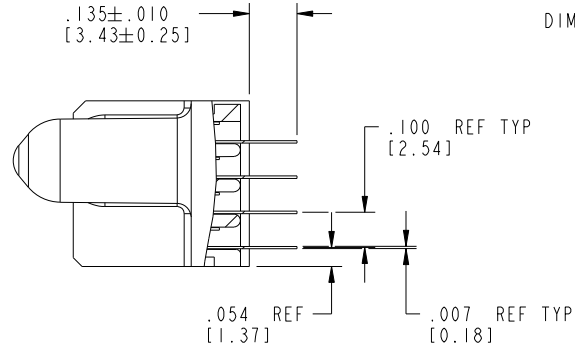
cage code 22526

Tous droits strictement reserves. Reproduction ou communication a des tiers interdite sous quelque forme que ce soit sans autorisation ecrite du proprietaire. Propriete de c FCI. Droits de reproduction FCI.

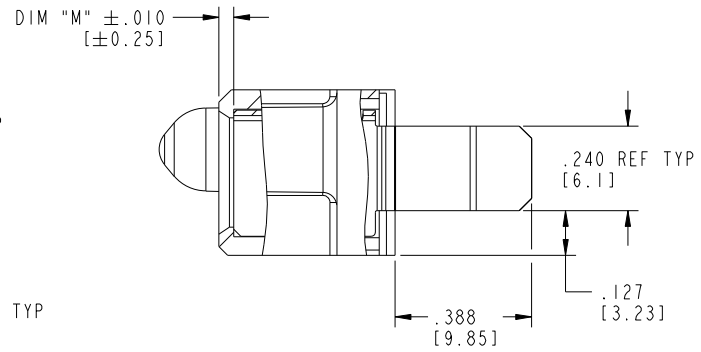


All rights strictly reserved. Reproduction or issue to third parties in any form whatever is not permitted without written authority from the proprietor. Property of FCI. Copyright FCI.

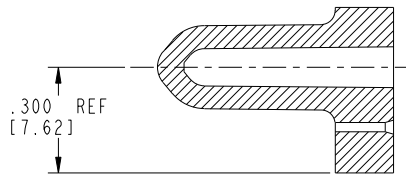
PRODUCT NUMBER
51927-005--
NOTE:③



SECTION A-A
SCALE 2:1



SECTION B-B
SCALE 2:1



SECTION C-C
SCALE 2:1

mat'l code		SEE NOTE 2		tolerances unless otherwise specified		CUSTOMER		 www.fciconnect.com	
lfr	ecn no.	dr	date	linear	.XX±.01/0.X±0.3	COPY		title	
B					.XXX±.005/0.XX±0.13	projection		2ACP+24S	
				angles	.XXX±.0020/0.XXX±0.051			VERTICAL STB CABLE RECEPT	
				dr	0°±2°	INCH/MM		product family	
				enr	SLUO 6/27/05	scale		PwrBlade	
				chr	Sincer He 08/17/07	1:1		code	
				appd	VICTOR LIN 6/27/05	A		213	
					JOSEPH HSIA 6/27/05	51927-005		sheet	
sheet index	revision sheet							2 of 4	

Pro/E

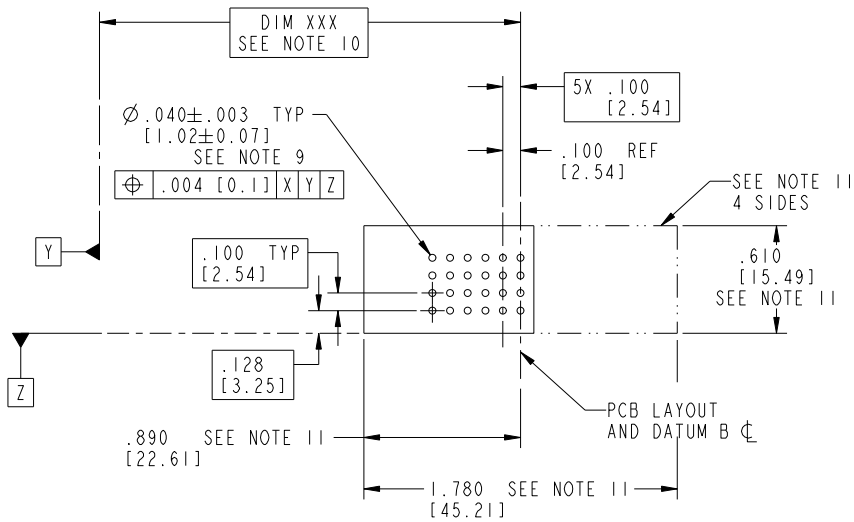
cage code 22526

Tous droits strictement reserves. Reproduction ou communication a des tiers interdicte sous quelque forme que ce soit sans autorisation ecrite du proprietaire. Propriete de c FCI. Droits de reproduction FCI.



All rights strictly reserved. Reproduction or issue to third parties in any form whatever is not permitted without written authority from the proprietor. Property of FCI. Copyright FCI.

PRODUCT NUMBER
51927-005--
NOTE: ③



mat'l code		SEE NOTE 2		tolerances unless otherwise specified		CUSTOMER		 www.fciconnect.com	
ltr	ecn no.	dr	date	linear	.XX±.01/0.X±0.3	COPY		title	
B					.XXX±.005/0.XX±0.13	projection		2ACP+24S	
				angles	.XXX±.0020/0.XXX±0.051			VERTICAL STB CABLE RECEPT	
				dr	0°±2°	INCH/MM		product family	
				enr	SLUO 6/27/05	scale		PwrBlade	
				chr	Sincer He 08/17/07	1:1		code	
				appd	VICTOR LIN 6/27/05	size		213	
					JOSEPH HSIA 6/27/05	dwg no		sheet	
sheet index	revision sheet					A		3 of 4	
						51927-005			

cage code 22526

Pro/E

Tous droits strictement réservés. Reproduction ou communication a des tiers interdite sous quelque forme que ce soit sans autorisation écrite du propriétaire. Propriété de c FCI. Droits de reproduction FCI.



All rights strictly reserved. Reproduction or issue to third parties in any form whatever is not permitted without written authority from the proprietor. Property of FCI. Copyright FCI.

PRODUCT NUMBER
51927-005--
NOTE: ③

NOTES:

1. DIMENSIONS AND TOLERANCES ARE IN ACCORDANCE WITH ASME Y14.5M, 1994 UNLESS OTHERWISE SPECIFIED.

CONNECTOR NOTES:

- ② HOUSING MATERIAL: UL 94 V-0 GLASS FILLED HIGH-TEMP THERMOPLASTIC
POWER CONTACT MATERIAL: COPPER ALLOY
SIGNAL PIN MATERIAL: COPPER ALLOY
 - ⚠ ③. SEE ITEM 5 & 6 IN PRINT 10064183 FOR PLATING SPEC OF 51927-005 AND 51927-005LF RESPECTIVELY.
 - ④ MANUFACTURER'S NAME, P/N, AND DATE CODE TO APPEAR ON THIS SURFACE.
 - 5. PRODUCT SPECIFICATION GS-12-149.
APPLICATION SPECIFICATION BUS-20-067.
 - 6. PACKAGED IN TRAYS.
- PCB NOTES:
- 7. ALL HOLE DIAMETERS ARE FINISHED HOLE SIZE.
 - ⑧ MOUNTING HOLES, WHERE APPLICABLE, ARE UNPLATED.
 - ⑨ $\varnothing .0453 \pm .0010$ [1.151 ± 0.025] DRILLED HOLES PLATED WITH .0003 [0.008] MIN SnPb OVER .001 [0.03] TO .003 [0.08] Cu PLATING TO ACHIEVE $\varnothing .040 \pm .003$ [1.02 ± .07] HOLE.
 - ⑩ "DIM XXX" TO BE DETERMINED BY THE CUSTOMER.
 - ⑪ CONNECTOR KEEP-OUT ZONE.
 - 12. ⚠/Ⓜ SYMBOL WILL BE NEXT TO ANY DIMENSION, VIEW, OR NOTE WHICH HAS BEEN MODIFIED WITH THE CURRENT DRAWING REVISION.

mat'l code		SEE NOTE 2		tolerances unless otherwise specified		CUSTOMER		FCI		www.fciconnect.com	
ltr	ecn no.	dr	date	linear	.XX±.01/0.X±0.3		COPY		projection	title	
B					.XXX±.005/0.XX±0.13		A			2ACP+24S	
				angles	.XXX±.0020/0.XXX±0.051		INCH/MM		product family		
					0°±2°		1:1		PwrBlade		
				dr	SLUO	6/27/05	scale		code		
				enr	Sincer He	08/17/07	A		213		
				chr	VICTOR LIN	6/27/05	51927-005		sheet		
				appd	JOSEPH HSIA	6/27/05	4 of 4		4 of 4		
sheet index	revision sheet										

cage code 22526