

MODEL:

# SR2POST13

## 13U SmartRack® Open Frame Rack



13 Rack Units



800 lb.  
Stationary  
Load Capacity



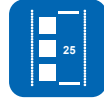
Accommodates Standard  
19-inch Equipment



Toolless  
Mounting Slots



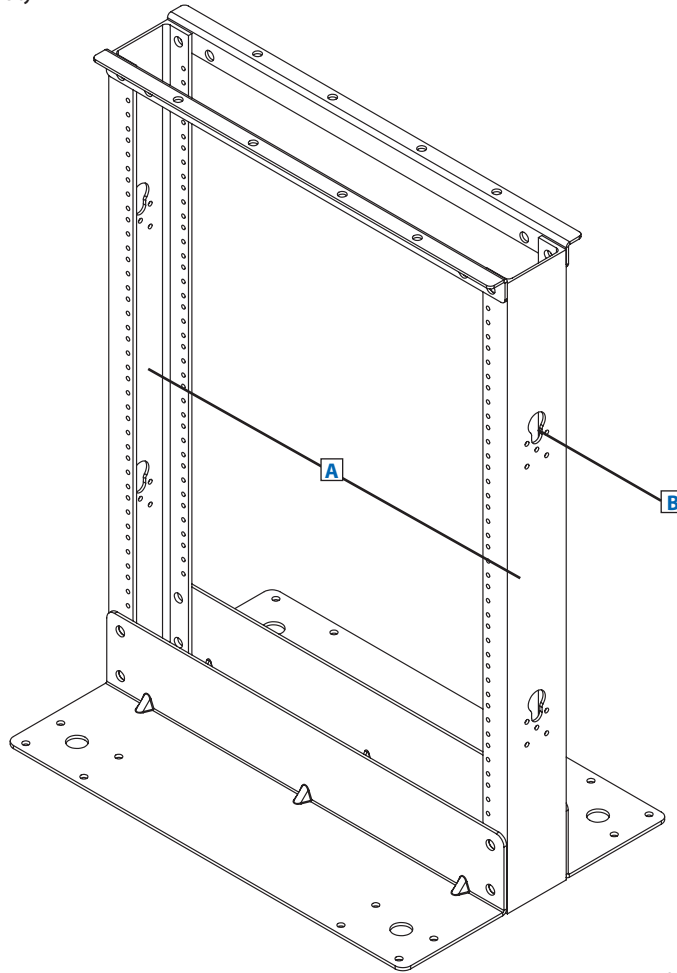
Integrated  
Baying Tabs



Square Hole  
Mounting

- A** Mounting Rails (2)
- B** Toolless Button Holes  
(for vertical PDUs or cable managers)

Also Includes: Owner's Manual, installation hardware, rackmount equipment mounting hardware (28 screws, 28 washers) and cable management hooks.



- Ships disassembled for easy transport and assembly in tight spaces
- Modular design optimized for quick configuration and reconfiguration
- Multiple units can be bolted together side by side
- Ideal for space-constrained or cost-conscious 19-inch rackmount applications

### Specifications

Model	SR2POST13
Rack Spaces	13U
Stationary Load Capacity	800 lb. (362.9 kg)
Unit Dimensions (H x W x D)	28 x 20.3 x 13.6 in. (710 x 516 x 345 mm)
Shipping Dimensions (H x W x D)	4.5 x 6.5 x 30.7 (114 x 165 x 780 mm)
Unit Weight	20 lb. (9.07 kg)
Shipping Weight	24.3 lb. (11 kg)
Standards	Meets EIA-310-D, NOM (Mexico), IEC 60297-3-100, and RoHS standards

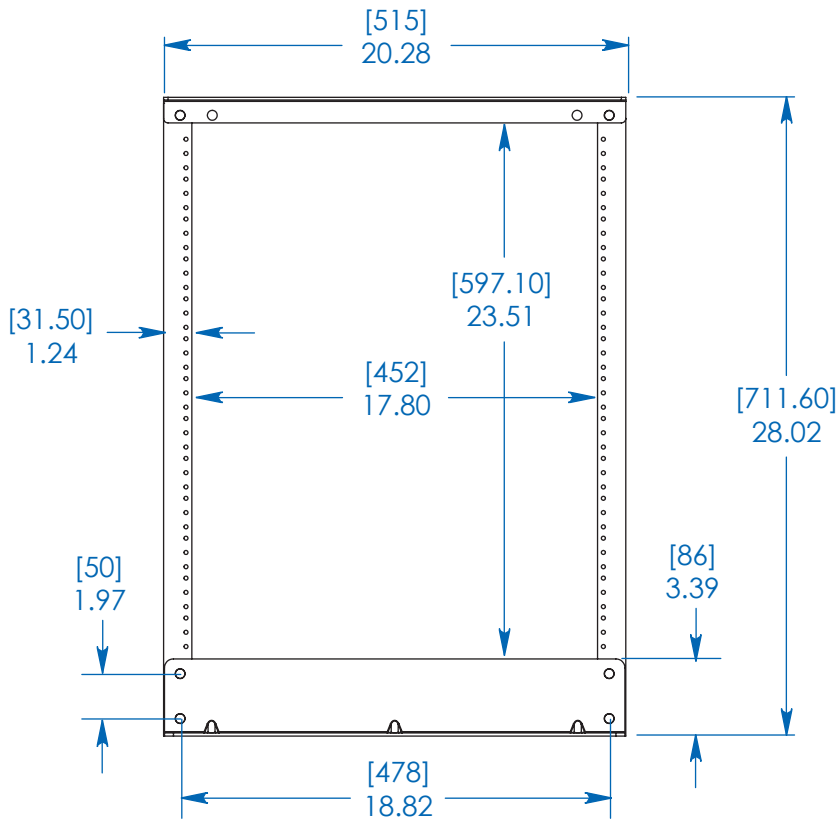
Tripp Lite has a policy of continuous improvement. Specifications are subject to change without notice.



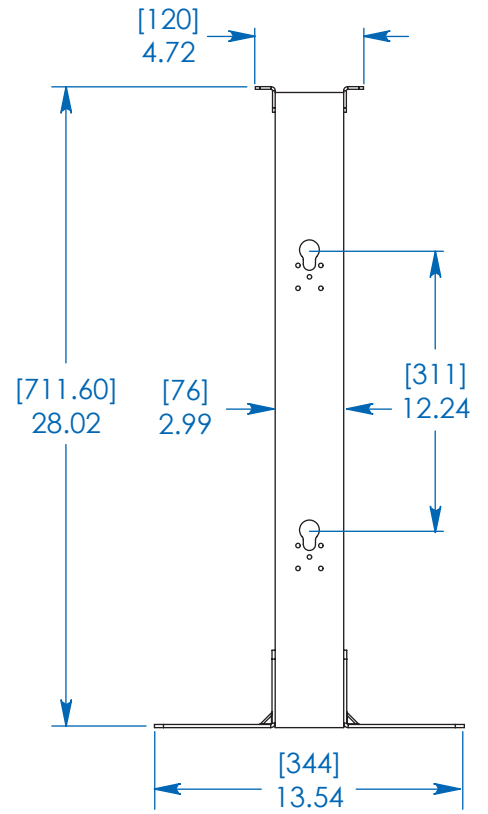
SEE NEXT PAGE FOR DETAILED UNIT MEASUREMENTS



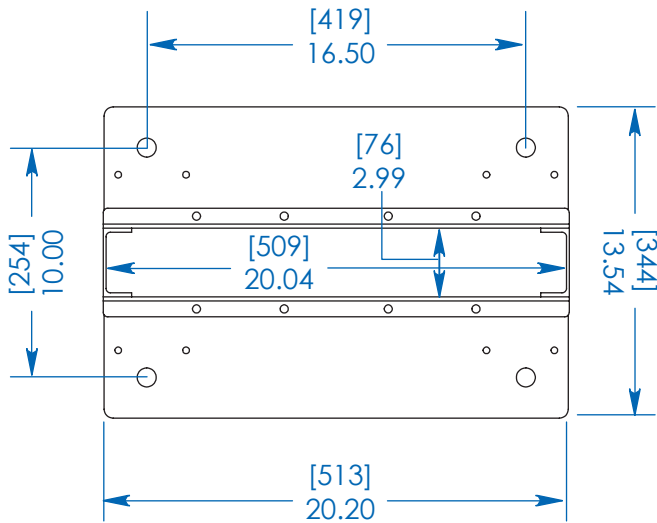
1111 W. 35th Street  
Chicago, IL 60609 USA  
773.869.1234  
www.tripplite.com



FRONT VIEW



SIDE VIEW



TOP VIEW

MODEL:  
**SR2POST13**  
**TRIPP·LITE**

1111 W. 35th Street  
 Chicago, IL 60609 USA  
 773.869.1234  
 www.triplite.com

Dimensions: [mm] INCHES

Tripp Lite has a policy of continuous improvement. Specifications are subject to change without notice.