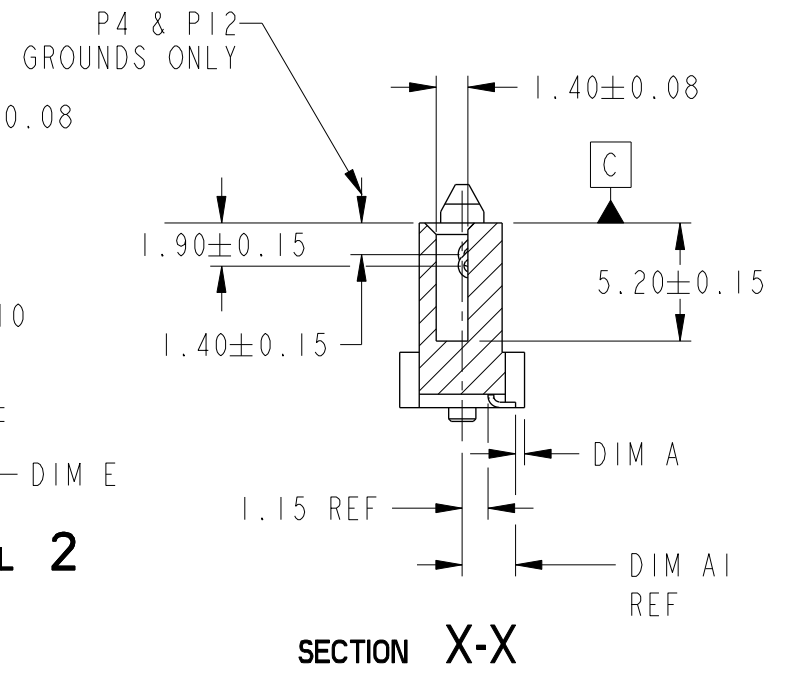
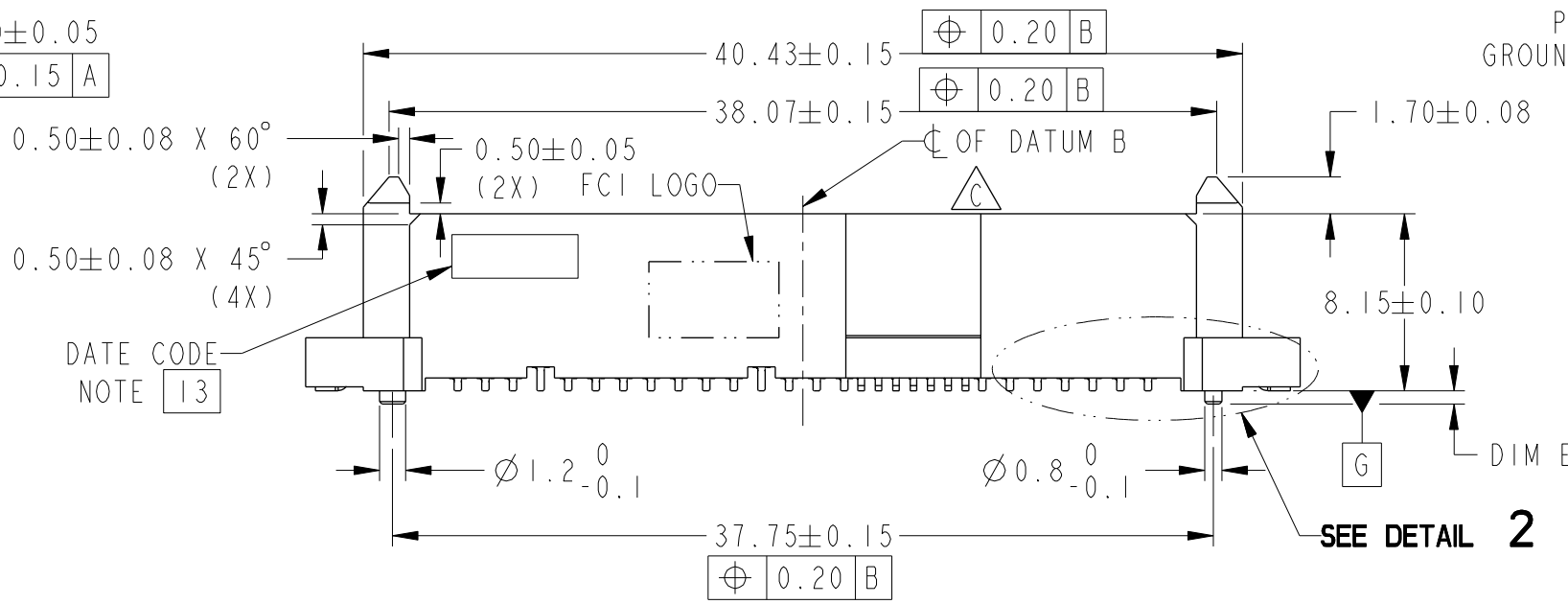
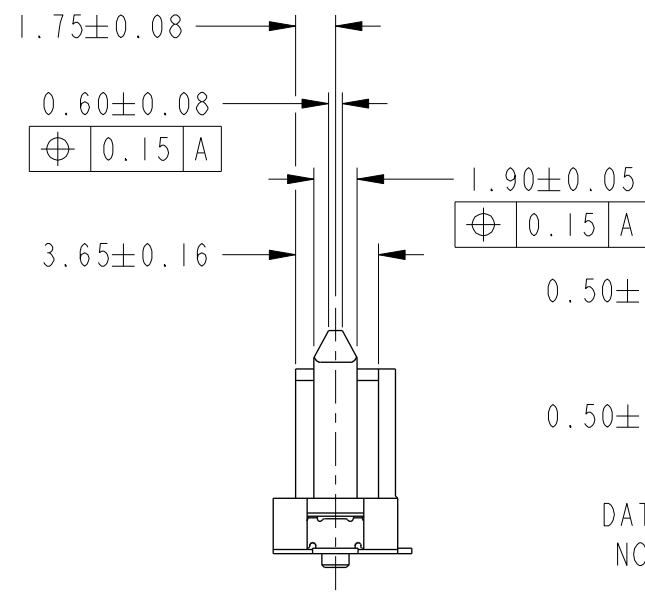
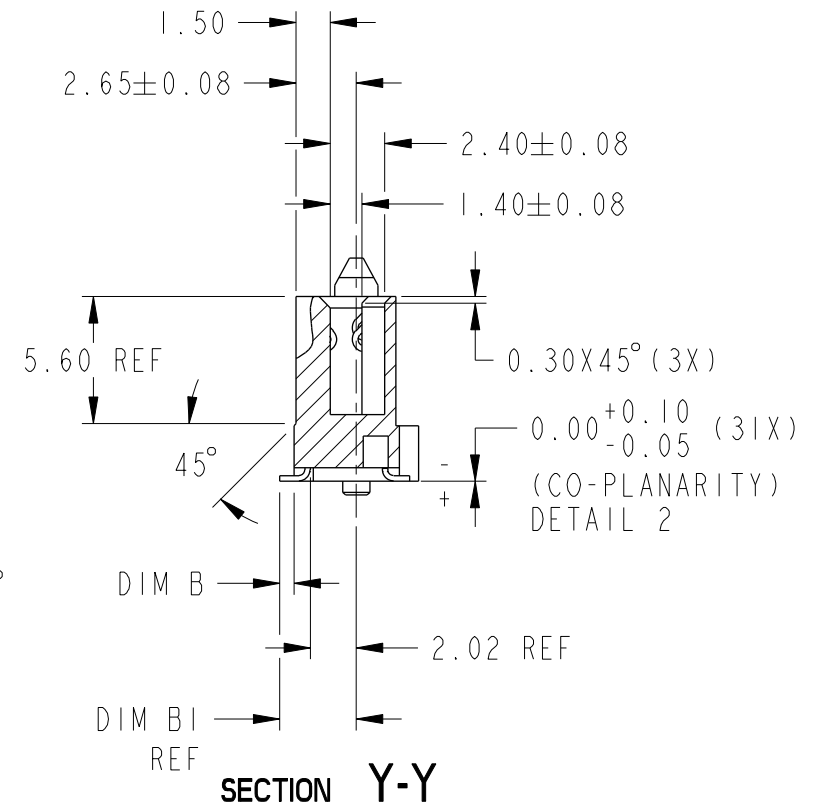
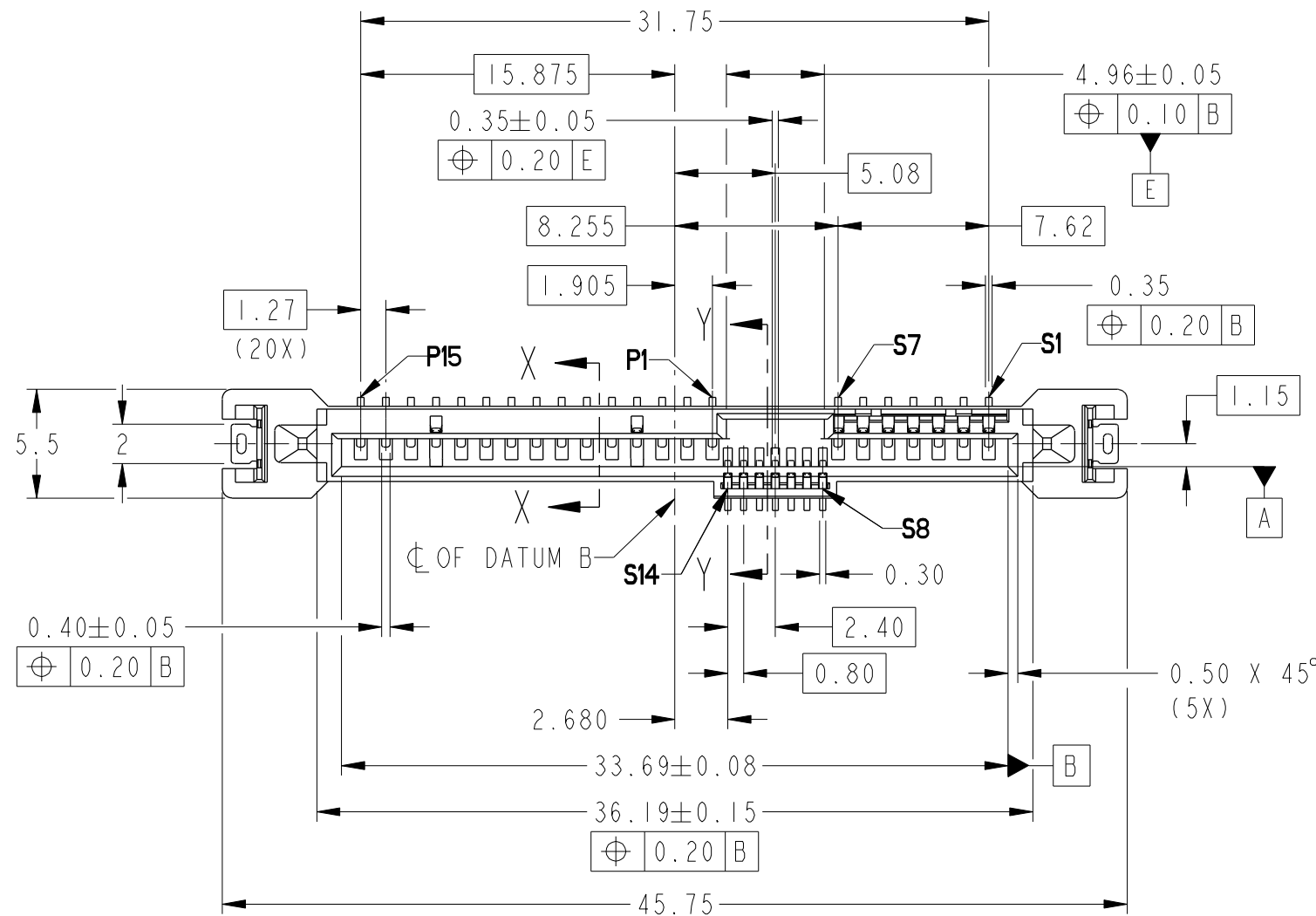
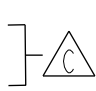


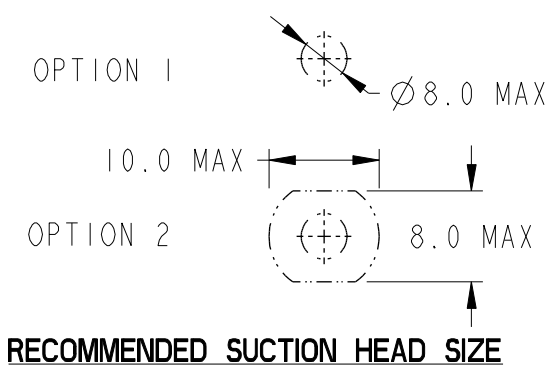
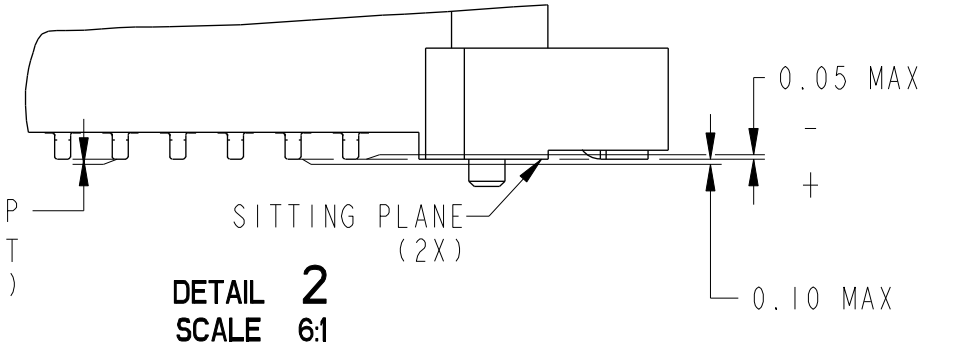
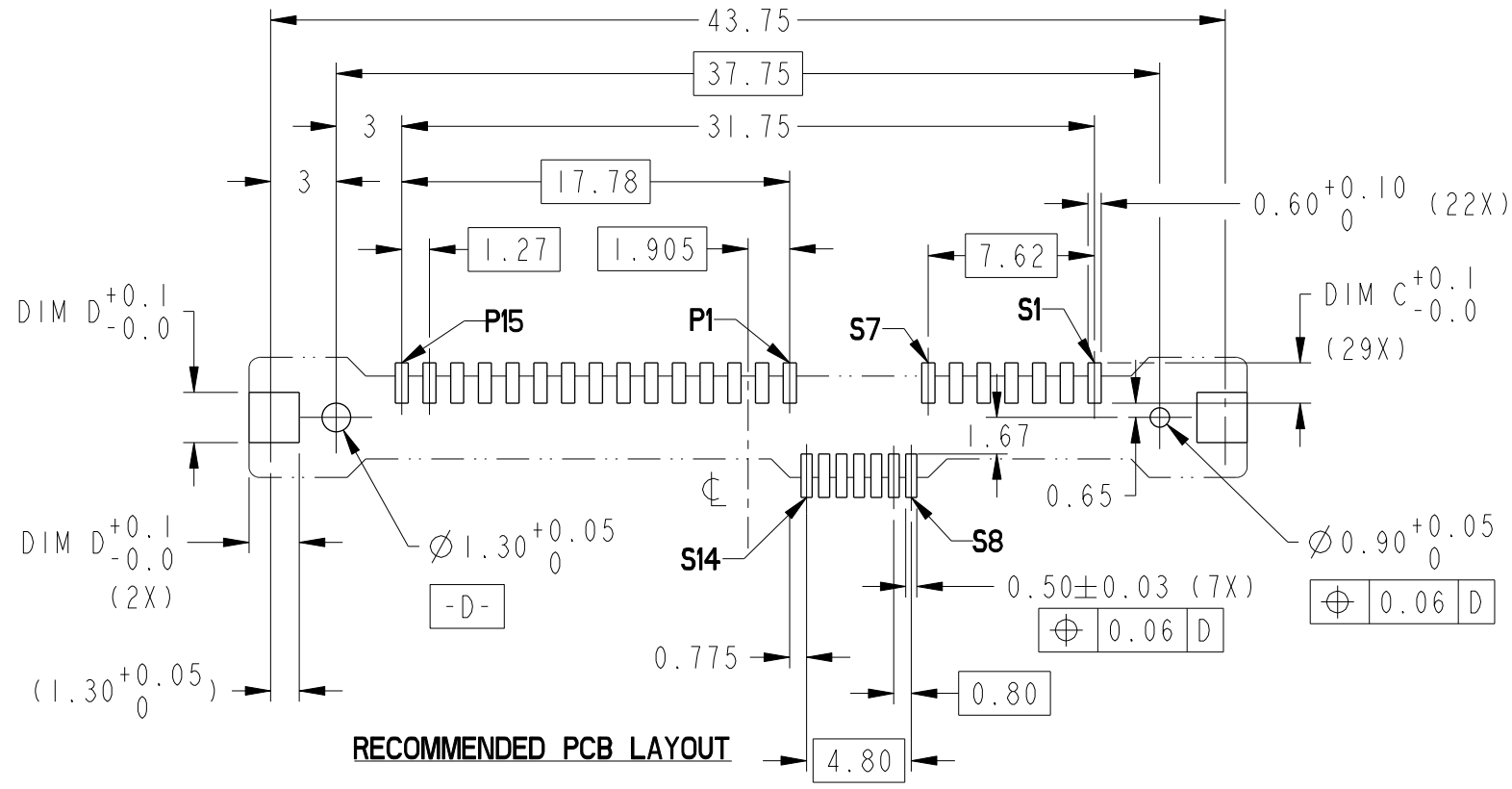
PRODUCT NUMBER
SEE TABLE

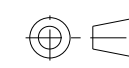
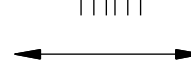


spec ref	-	dr	Vajith P-N	2014/08/08	projection	mm	size	A3	scale	3:1
tolerance std	ISO 406 ISO 1101	eng	Noorhazlinda	2017/03/17		mm	A3	ecn no	ELX-M-25503-1	rev
TOLERANCES UNLESS OTHERWISE SPECIFIED		chr	-	app						
surface	linear	0.X	±		SAS RECEPTACLE		dwg no	10129368	rev	C
	angular	0.XX	±0.20		VERTICAL SMT TYPE ASSY					
		0.XXX	±		cat. no.	-	Product - Customer Drw	sheet 1 of 3		
		0°	±2°							

Amphenol FCI
© 2016 AFCI

PRODUCT NUMBER	DIM A	DIM A1 REF	DIM B	DIM B1 REF	DIM C	DIM D	DIM E	METAL CLIP	PLATING	PICK-UP CAP	PACKAGING	REMARKS	PRODUCT NUMBER	PLATING
10129368-001LF	0.4	2.35	0.6	3.37	1.85	2.3	1.0	2 PCS	NOTE 2	NO	TRAY	NOTE 8	10129368-301LF	NOTE 10
YES										NOTE 4 & 8		10129368-301CLF		
YES										NOTE 4 6 & 8		10129368-301C-TRLF		
10129368-001ILF	0.4	2.35	0.6	3.37	1.85	2.3	1.0	2 PCS	NOTE 2	YES	TRAY	NOTE 4 & 8		
YES										NOTE 4 6 & 8				
10129368-003LF	0.3	2.5	0.8	3.52	2.35	2.6	0.6	2 PCS	NOTE 2	NO	TRAY	NOTE 8	10129368-303LF	NOTE 10
YES										NOTE 4 & 8		10129368-303CLF		
YES										NOTE 4 6 & 8		10129368-303C-TRLF		



spec ref	-	dr	Vajith P-N	2014/08/08	projection	mm	size	A3	scale	3:1	
tolerance std	ISO 406 ISO 1101	eng	Noorhazlinda	2017/03/17			ecn no	ELX-M-25503-1			
TOLERANCES UNLESS OTHERWISE SPECIFIED		chr	-	apppr				Koon-Poh Tay	2017/04/03	product family	SAS
surface	linear	0.X	± -	Amphenol FCI	SAS RECEPTACLE			dwg no 10129368	rev		C
		0.XX	±0.20		VERTICAL SMT TYPE ASSY						
	angular	0°	±2°		cat. no.	-	Product - Customer Drw		sheet 2 of 3		

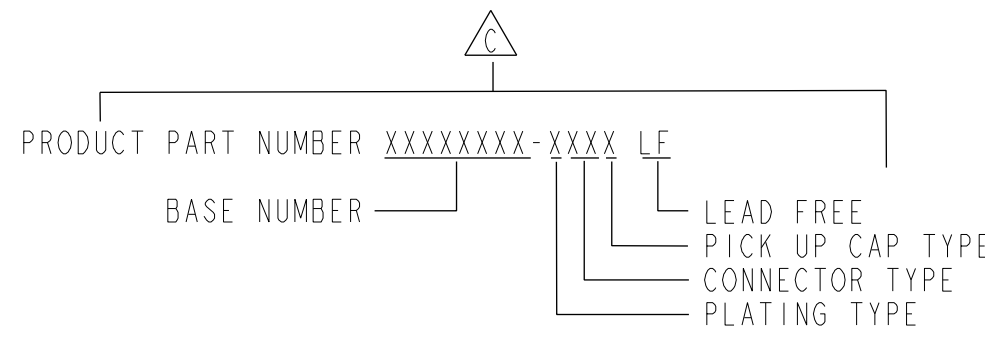
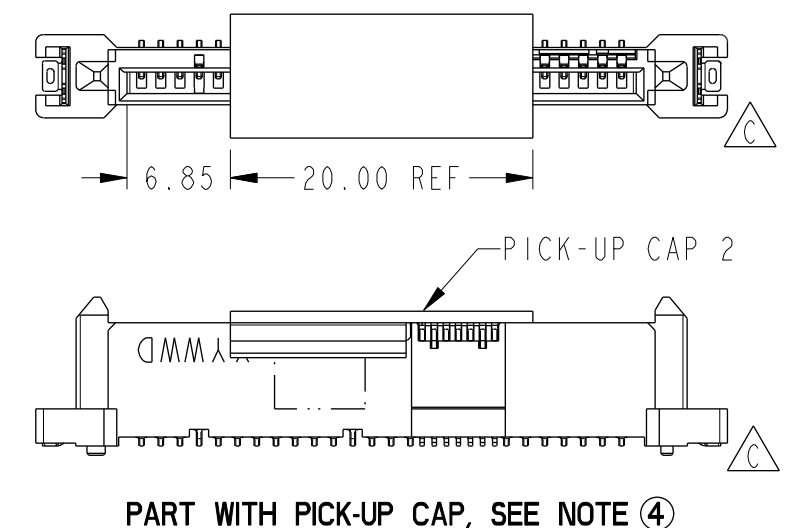
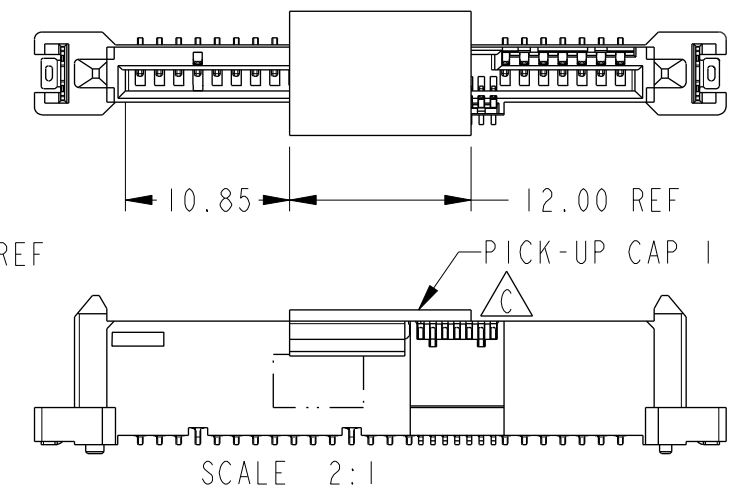
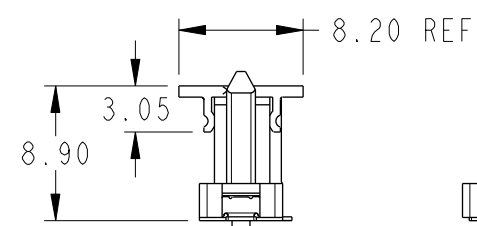
Amphenol FCI

© 2016 AFCI

PRODUCT NUMBER
SEE TABLE

NOTES:

1. MATERIAL :
 - 1) HOUSING : HIGH TEMP THERMOPLASTIC, UL 94V-0
 - COLOR : BLACK
 - 2) TERMINAL : COPPER ALLOY
 - 3) HOLD DOWN : COPPER ALLOY
- 2 FINISH :
 - 1) TERMINAL : 30μ" Au PLATING (CONTACT POINT) OVER 50μ" NICKEL
 - 2) SOLDER TAIL : 100μ" MIN Sn OVER 50μ" NICKEL
 - 3) HOLD DOWN : 100μ" MIN Sn OVER 50μ" NICKEL
3. PER SFF REV 1.1, EXCEPT 0.8mm PITCH BUMP AREA.
- 4 PART WITH PICK-UP CAP, P/N XXXXXXXX-XXXX_{LF}.
- 5 THE STD PACKAGING IS IN TRAY UNLESS OTHERWISE SPECIFIED.
- 6 PART NUMBER WITH SUFFIX "-TR" MEANS FOR TAPE & REEL PACKAGING (E.G. P/N: XXXXXXXX-XXXX-TRLF).
7. THE HOUSING WILL WITHSTAND EXPOSURE TO 260°C PEAK TEMPERATURE FOR 10 SECONDS IN A CONVECTION, INFRA-RED OR VAPOR PHASE REFLOW OVEN.
8. THIS PRODUCT MEETS EUROPEAN UNION DIRECTIVES AND OTHER COUNTRY REGULATIONS AS DESCRIBED IN GS-47-0004.
- 9 PART NUMBERS ENDING IN "LF" MEANS FOR NOTE 8 LEAD FREE IDENTIFICATION
- 10 FINISH :
 - 1) TERMINAL : 30μ" GXT PLATING (CONTACT POINT) OVER 50μ" NICKEL
 - 2) SOLDER TAIL : 100μ" MIN Sn OVER 50μ" NICKEL
 - 3) HOLD DOWN : 100μ" MIN Sn OVER 50μ" NICKEL
11. 10129368-X03LF FOOTPRINT IS SAME AS 10120818-X01LF
12. A $\triangle C$ SYMBOL WILL BE NEXT TO ANY DIMENSION, VIEW, OR NOTE WHICH HAS BEEN MODIFIED WITH THE CURRENT DRAWING REVISION.
- 13 DATE CODE LOCATION. DATE CODE NO. YYWWD (E.G. 14225)



spec ref	-	dr	Vajith P-N	2014/08/08	projection	mm	size	A3	scale	2:1
tolerance std	ISO 406 ISO 1101	eng	Noorhazelinda	2017/03/17			ecn no	ELX-M-25503-1	rel level	Released
surface	linear	chr	-	apppr			Koon-Poh Tay	2017/04/03		product family
	angular	Amphenol FCI		SAS RECEPTACLE		dwg no	10129368	rev	C	
				VERTICAL SMT TYPE ASSY		cat. no.	-	Product - Customer Drw		sheet 3 of 3

© 2016 AFCI Amphenol FCI