

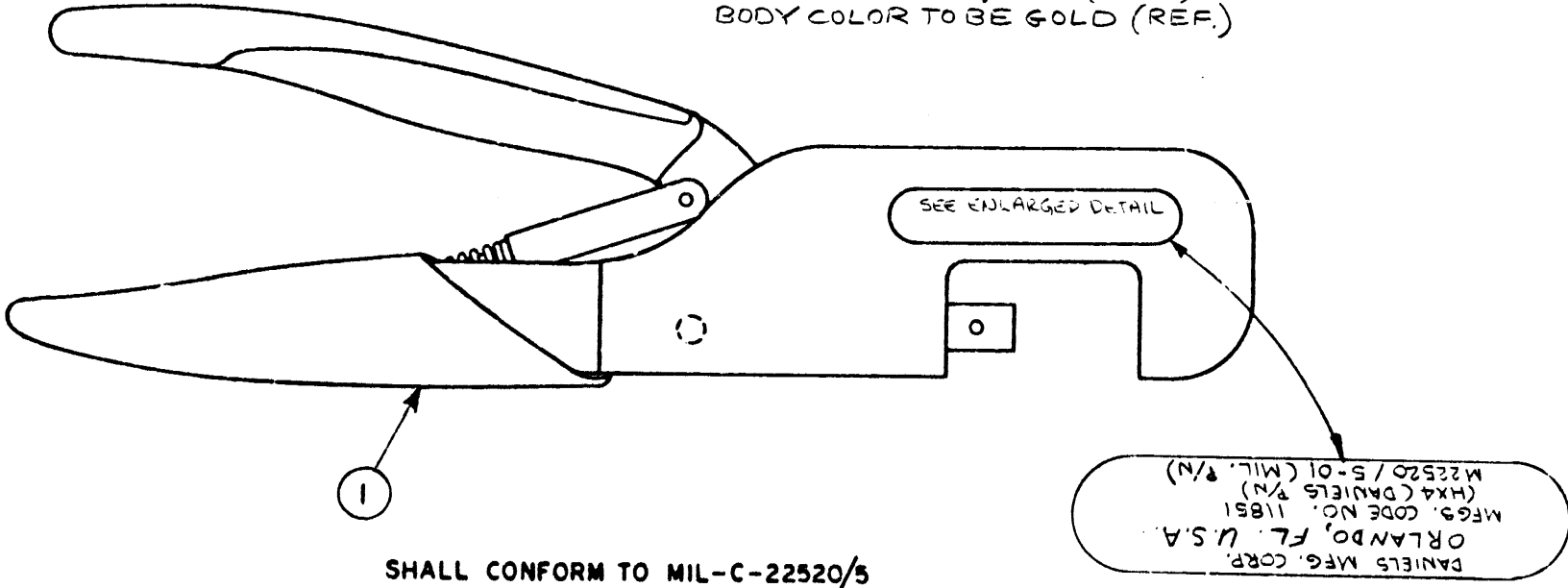
NOTICE: These drawings, specifications or other data (1) are, if so stated, the property of Bunker-Ramo Corporation and shall be returned upon request, and (2) are confidential and are not to be disclosed to any person other than those to whom they are issued by Bunker-Ramo Corporation. The furnishing of these drawings, specifications or other data by Bunker-Ramo Corporation, or by any other person, to anyone for any purpose is not to be construed as an implied or otherwise in any manner conveying, granting or authorizing such holder of such person to manufacture, use or sell any product, process or design, apparatus or otherwise, that may in any way be related to or disclosed by said drawings, specifications or other data.

DO NOT SCALE THIS DRAWING

REMOVE ALL BURRS, BREAK CORNERS AND SHARP EDGES .005 MAXIMUM UNLESS OTHERWISE SPECIFIED.

REVISIONS					
ZONE	SYM.	DESCRIPTION	DATE	ECO NO.	APPR.
	A	ADDED COLOR SPEC.	1-3-74	20138	OR
	B	REVISED ENLARGED LABEL	1-27-77	24971	<del>CR</del>
	C	DEL ITEM 2; UPDATE ADDRESS	1/23/99	42604	CRM

**NOTES:**  
 1. MAY BE PURCHASED FROM:  
**DANIELS TOOL CO.**  
 ORLANDO, FL. U.S.A.  
 AS DANIELS TOOL FRAME HX4  
 PART NO. M22520/5-01 (REF.)  
 BODY COLOR TO BE GOLD (REF.)



SHALL CONFORM TO MIL-C-22520/5

2. FRAME TO BE PACKAGED IN A CARDBOARD BOX WITH DIE INSTALLATION INSTRUCTIONS, BOTH SUPPLIED BY DANIELS MFG. CORP. AMPHENOL PART NO. MUST APPEAR ON TOP SIDE OF BOX.  
 SIZE: 11 1/2" LGH. X 3" WIDE X 1 1/8" HT.

**227-944**  
 DRAWING NUMBER **C**

1	1	227-943	CRIMP TOOL FRAME	203	
REQ'D	ITEM	PART NO.	DESCRIPTION	CODE	FINISH

LIST OF MATERIAL

UNLESS OTHERWISE SPECIFIED DIMENSIONS ARE IN INCHES. TOLERANCES NOT OTHERWISE SPECIFIED ARE:		
FRACTIONS	DECIMALS	ANGLES
± 1/16"	± .005	± 1°
MATERIAL	—————	
SPECIFICATION	—————	
FINISH	—————	
NEXT ASSY:	USED ON	
APPLICATION		

DATE: 8-18-77	TITLE: CRIMP TOOL FRAME (PACKAGED)	AMPHENOL
CHECKED: H. C. ...	ENGINEER: H. C. ...	AMPHENOL RF DIVISION 33 East Franklin St. Danbury, Conn. 06810
APP'D: J. ...	REFERENCE DRAWING NO.:	CODE IDENTIFICATION: C
	DRAWING SIZE: C	DRAWING NO. 227-944
		ISSUE: C

OFFICIAL ENG. REL. 20037