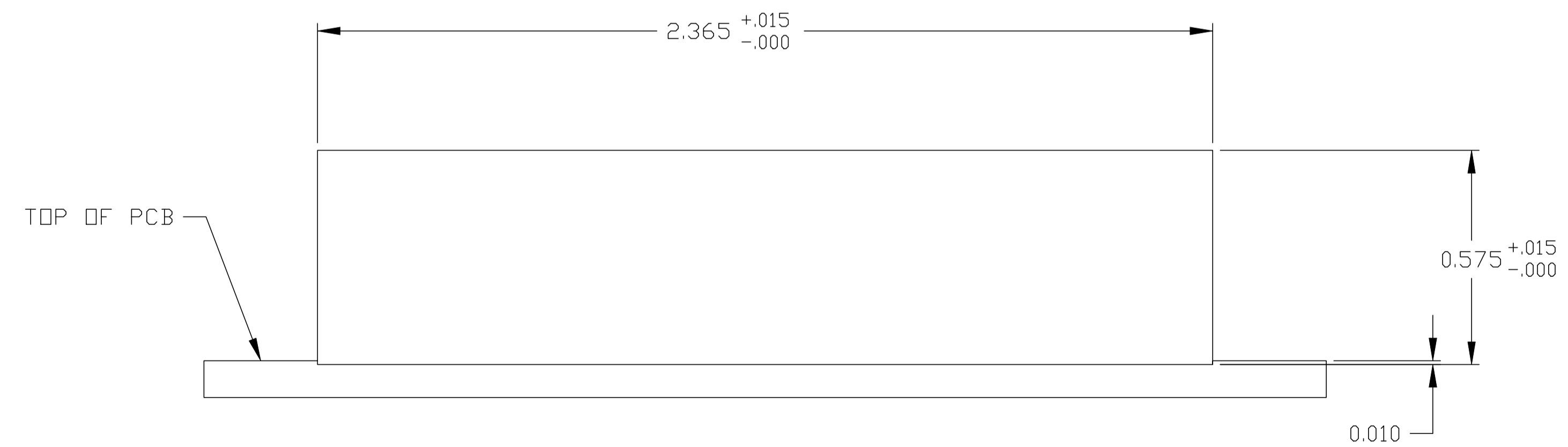
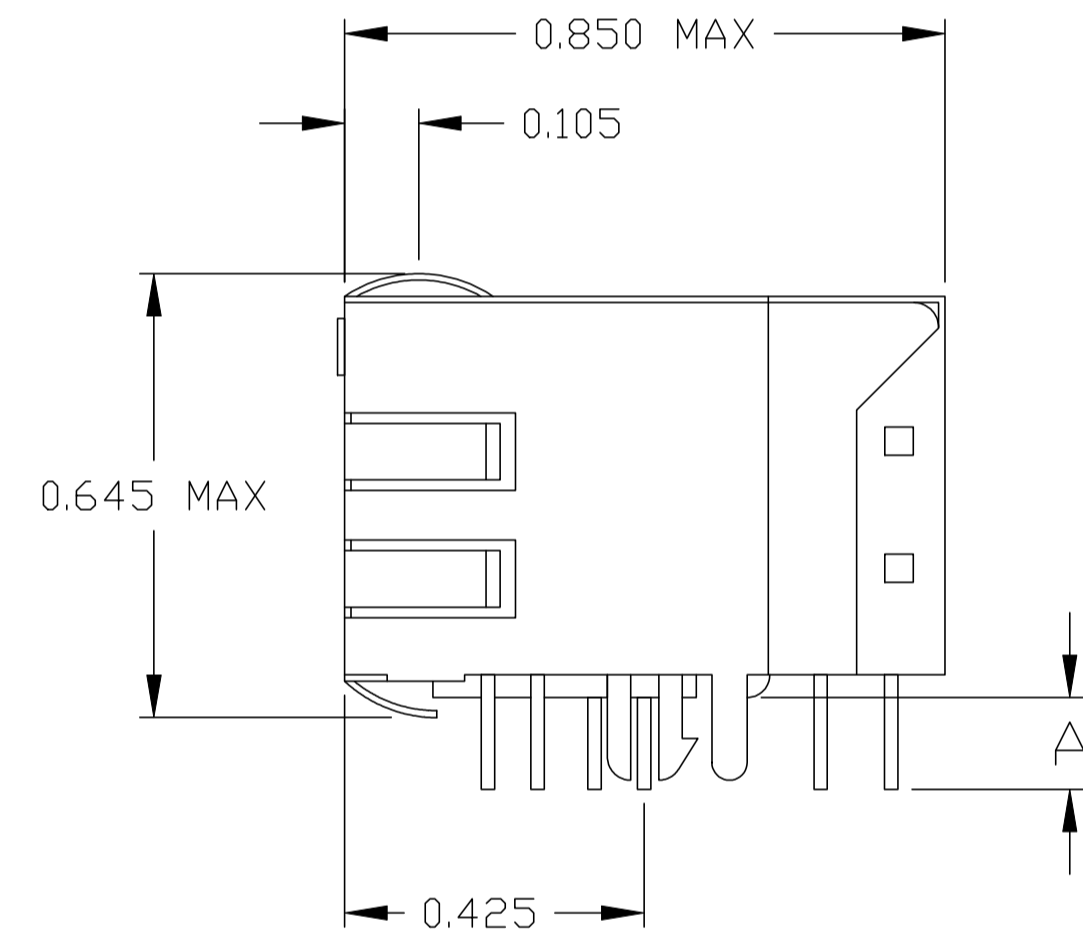
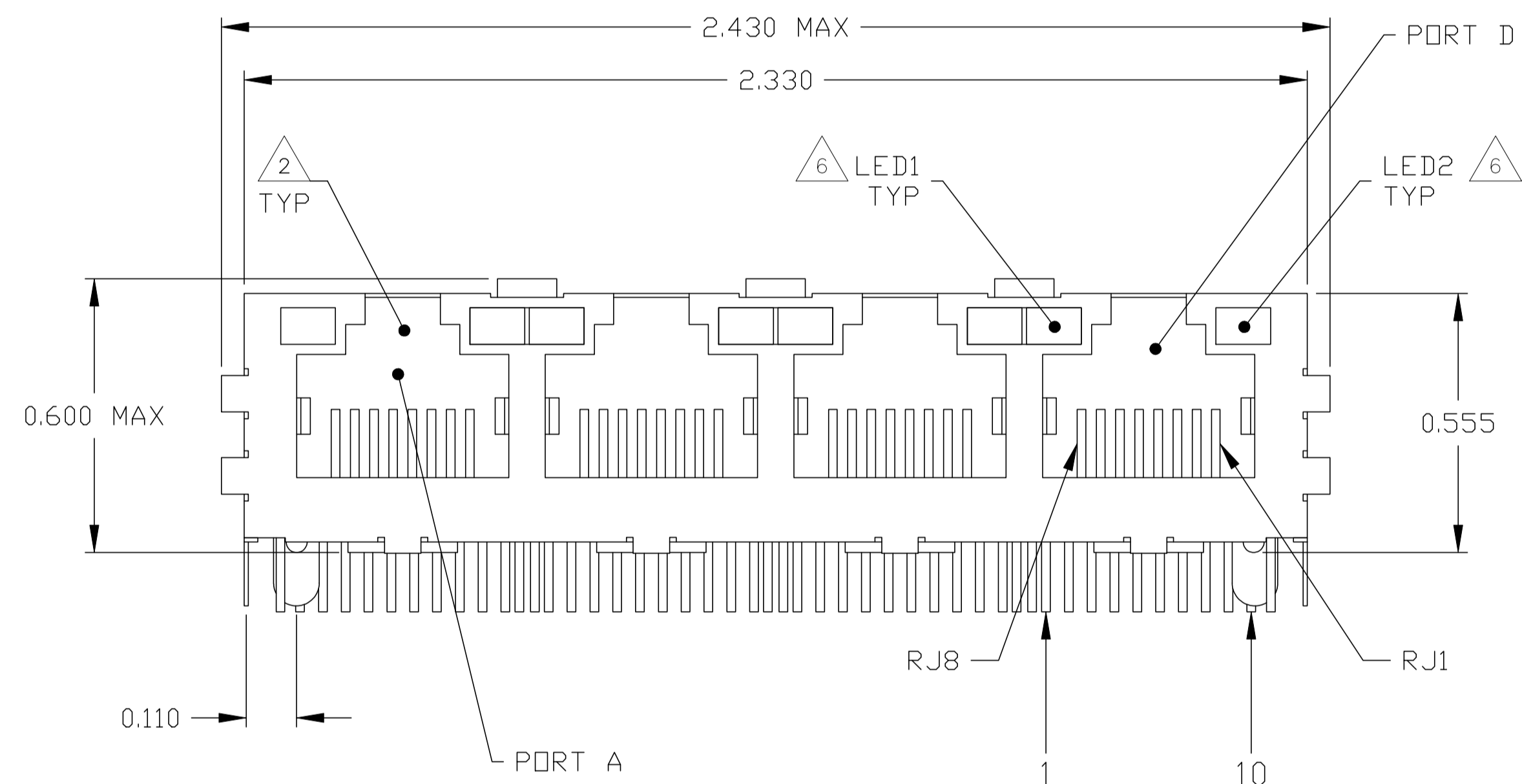
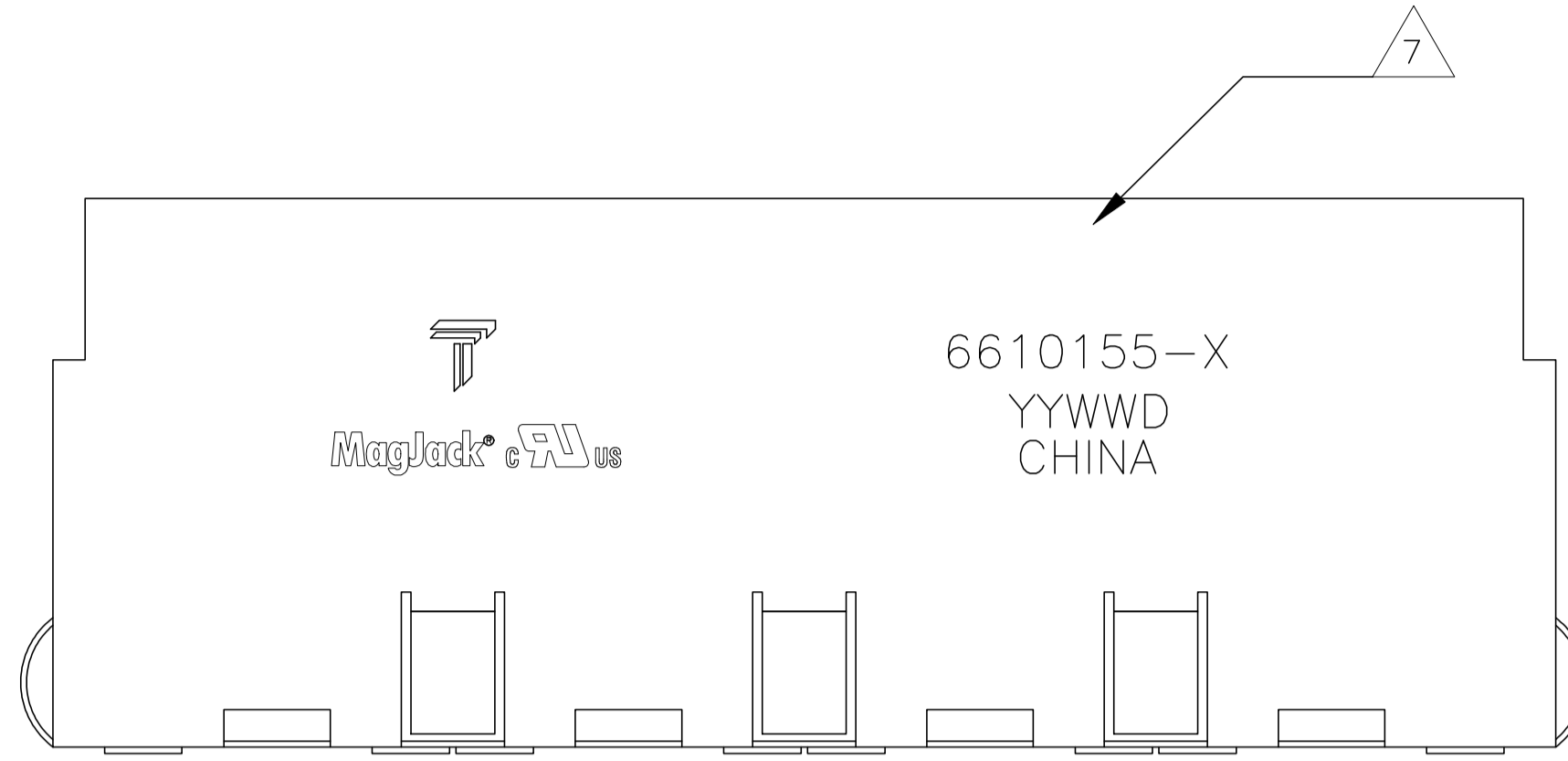


THIS DRAWING AND THE SUBJECT MATTER SHOWN THEREON ARE CONFIDENTIAL AND THE PROPERTY OF BEL/STEWART/TRP CONNECTOR AND SHALL NOT BE REPRODUCED, COPIED, OR USED IN ANY MANNER WITHOUT THE WRITTEN CONSENT OF TRP CONNECTOR.

PRODUCT MAY BE PROTECTED BY ONE OR MORE OF THE FOLLOWING US PATENTS:
 5736910 5939955 6425781 6428361 6554638 6840817 7123117
 7429195 7717749 7808751 6217391 6149050 7924130

REVISIONS				
P	LYR	DESCRIPTION	DATE	APVD
G		EC-1411035 COMPANY LOGO CHANGE	06JAN2015	DZ TL

MECHANICAL:



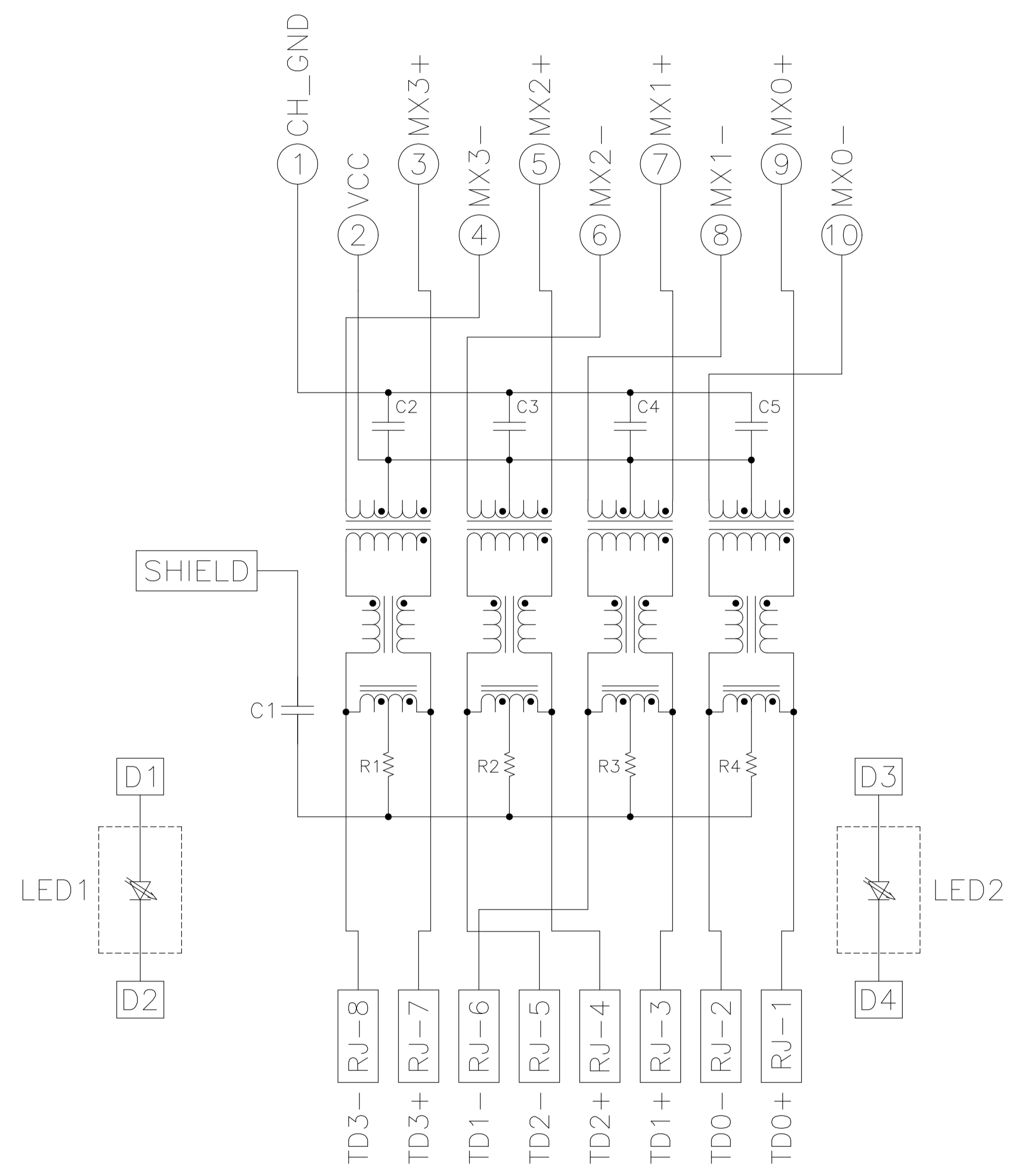
1X4 SUGGESTED PANEL CUTOUT

- 1 MATERIALS:
 - HOUSING - THERMOPLASTIC PET POLYESTER FLAMMABILITY RATING UL 94V-0.
 - SHIELD - 0.010" THICK, C26800 BRASS PREPLATED WITH 30μINCH MIN SEMI-BRIGHT NICKEL. SOLDER TABS POST DIPPED WITH 100μINCH MIN SAC SOLDER.
 - MOD JACK CONTACTS - 0.0157" X 0.018" PHOSPHOR BRONZE, 50μINCH MIN OVERALL NICKEL UNDERPLATE WITH SELECT 50μINCH MIN HARD GOLD FINISH PLATE. SOLDER TAILS WITH 100μINCH MIN MATTE TIN AND/OR SAC SOLDER DIP.
 - LIGHT EMITTING DIODE(LED) - DIFFUSED EPOXY LENS, 0.020" X 0.020" CARBON STEEL WIREFRAME LEADS PRE-PLATED WITH 80μINCH SILVER OVER 40μINCH NICKEL UNDERPLATE OVER 40μINCH COPPER UNDERPLATE. POST-PLATED WITH 100μIN MIN MATTE TIN AND/OR SAC SOLDER DIP OR PURE TIN SOLDER DIP.
- 2 RJ45 JACK CAVITY CONFORMS TO FCC RULES AND REGULATIONS PART 68, SUB PART F.
- 3 MAGNETICS
 - IMPEDANCE: 100 OHMS
 - TURNS RATIO (CHIP: CABLE): 1:1 ALL FOUR PAIRS
 - OPEN CIRCUIT INDUCTANCE (OCL): 350μH MIN @100kHz, 0.1VRMS, 8mADC BIAS FROM 0°C TO 70°C, ALL FOUR PAIRS
 - ALL FOUR PAIRS BI-DIRECTIONAL
 - PERFORMANCE @ 25°C:
 - INSERTION LOSS (IL): 1.1dB MAX FROM 0.5MHz TO 100MHz
 - RETURN LOSS (RL): 18dB MIN FROM 0.5MHz TO 40MHz
 - 12-20LOG(f/80)dB MIN FROM 40.1MHz TO 100MHz
 - CROSSTALK ATTENUATION: 35dB MIN FROM 0.5MHz TO 40MHz
 - 33-20*LOG(f/50)dB MIN FROM 40.1MHz TO 100MHz
 - COMMON MODE REJECTION RATIO (CMRR): 30dB MIN FROM 0.5MHz TO 100MHz
 - ISOLATION VOLTAGE: 2250VDC (MAX) FOR 60 SECONDS WITH A RISE TIME OF 500V/SEC AND WITH ALL PORTS CONNECTED.
- 4 OPERATING TEMPERATURE: FROM 0°C TO +70°C.
- 5 INDICATED MAGNETIC CONNECTIONS ARE SYMMETRICAL TO SUPPORT AUTO-MDI/MDIX.
- 6 LEDs WITHOUT BUILT-IN RESISTOR
 - LEDS ARE DRIVEN WITH CONSTANT CURRENT AT APPROX 20 mA
 - LED COLOR:
 - DOMINANT WAVELENGTH (λD): GREEN 568 nm TYP @ IF=20 mA
 - FORWARD VOLTAGE (VF): GREEN 2.2V TYP @ IF=20 mA
 - DOMINANT WAVELENGTH (λD): ORANGE 605 nm TYP @ IF=20 mA
 - FORWARD VOLTAGE (VF): ORANGE 2.1V TYP @ IF=20 mA
- 7 TRP CONNECTOR LOGO, PART NUMBER, DATE CODE, COUNTRY OF ORIGIN AND AGENCY APPROVAL MARKING IN APPROXIMATE LOCATION SHOWN.
- 8 THESE PARTS ARE RECOMMENDED FOR WAVE SOLDERING PROCESS, PREHEAT TEMPERATURE IS 120°C TO 160°C, 120 SECONDS TO 180 SECONDS, PEAK WAVE SOLDERING TEMPERATURE IS 260°C MAX, 10 SECONDS MAX.

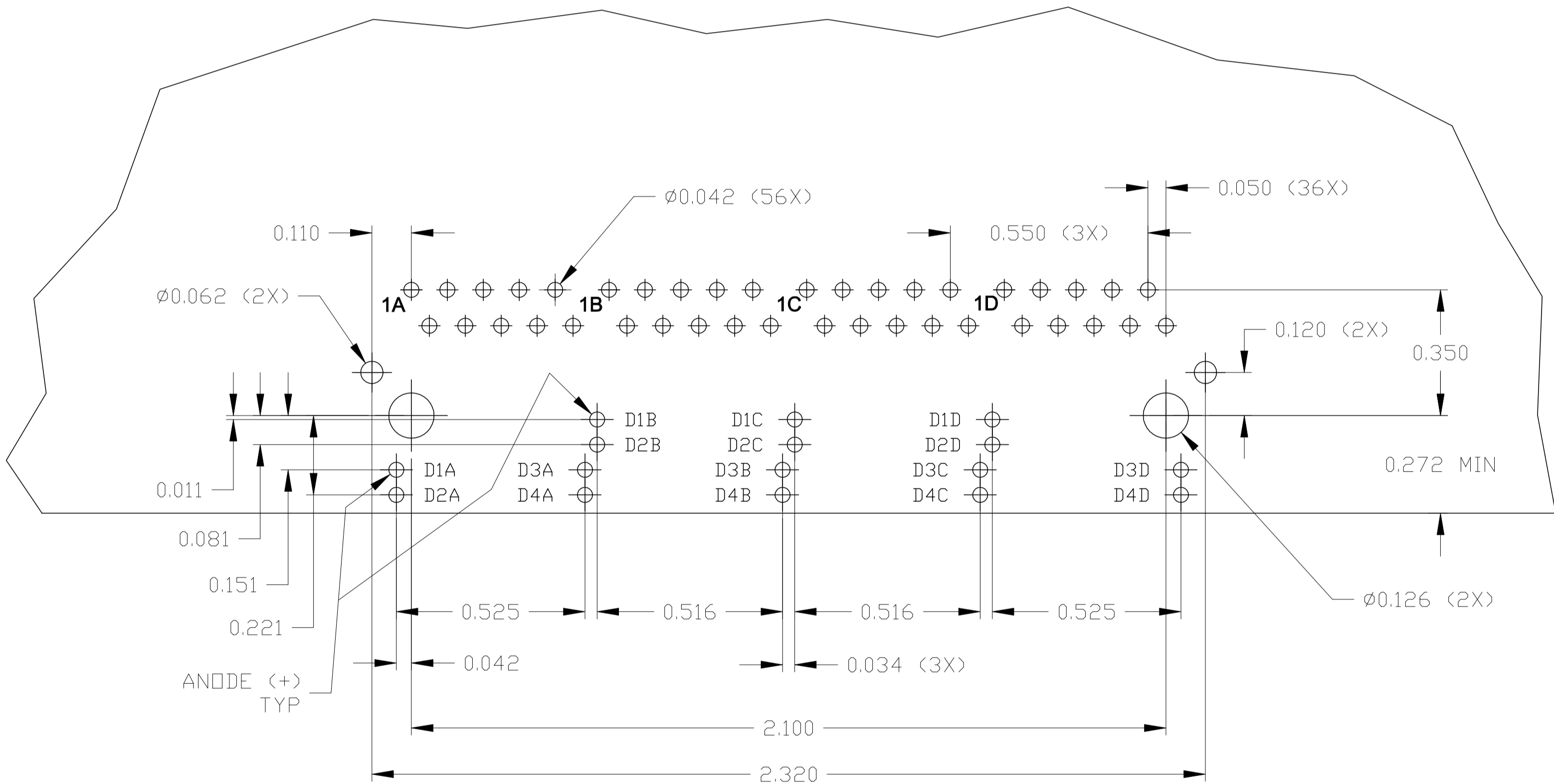
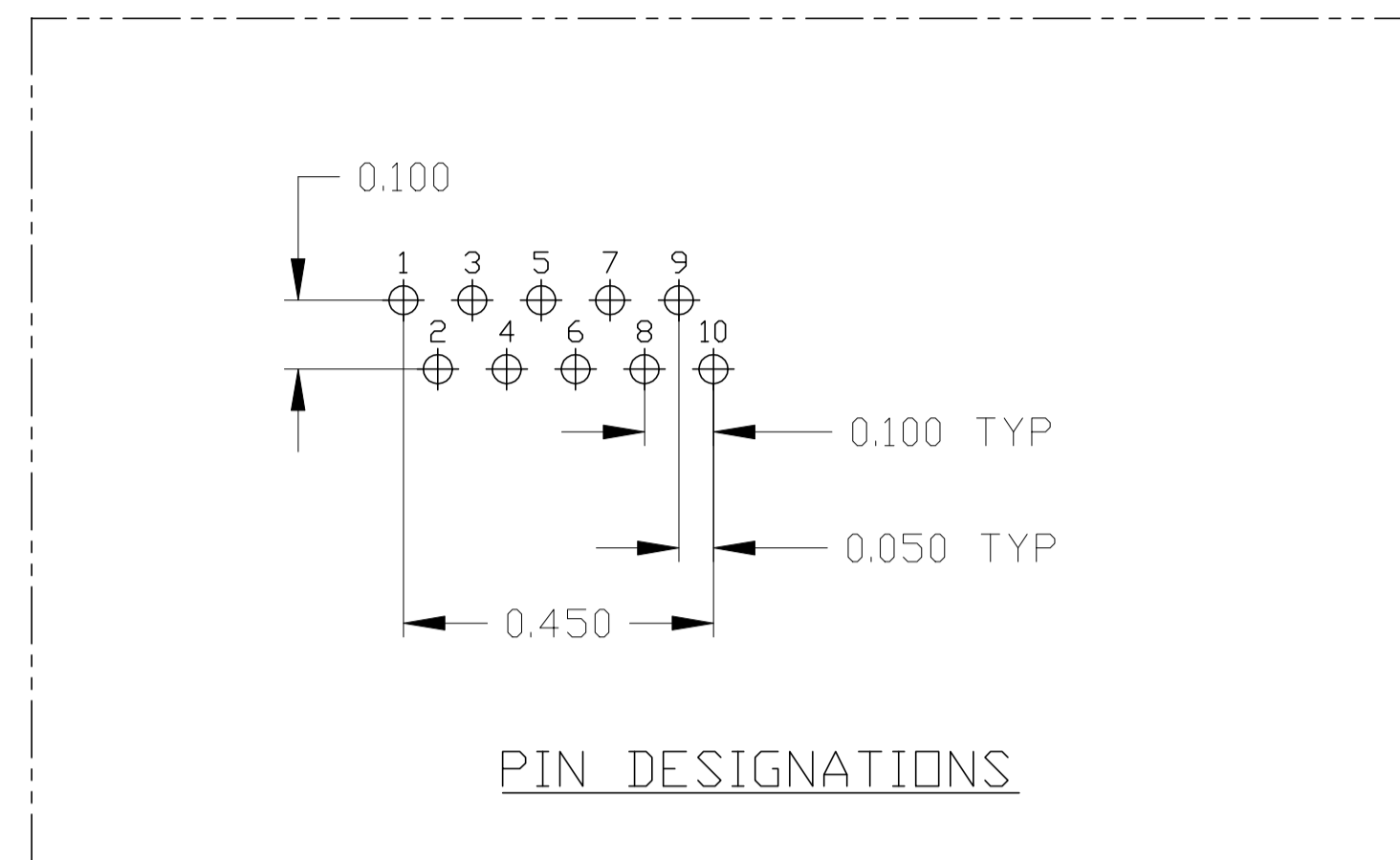
0.160±0.010	GREEN	GREEN	1-6610155-5
0.145±0.010	GREEN	ORANGE	1-6610155-2
0.145±0.010	GREEN	GREEN	6610155-7
DIM "A"	LED1	LED2	PART NUMBER

THIS DRAWING IS A CONTROLLED DOCUMENT.		DWN G. ATTADIA - DOCK5 15MAR2005		TRP CONNECTOR DONGGUAN CHINA	
DIMENSIONS: INCHES		CHK D. FAROLE 15MAR2005			
DIMENSIONS: INCHES TOLERANCES UNLESS OTHERWISE SPECIFIED: 0 PLC ± - 1 PLC ± - 2 PLC ± .010 3 PLC ± .005 4 PLC ± - ANGLES ± -		APVD D. FAROLE 15MAR2005 MODEL NAME MAGJACK GANG NON-POE		DESC 1X4 7G05 GIGABIT TAB UP W/ LED SIZE CAGE CODE DRAWING NO RESTRICTED TO A1 C-6610155 -	
PRODUCT SPEC 108-2100		APPLICATION SPEC -		CUSTOMER DRAWING SCALE NTS SHEET 1 OF 2 REV G	

7G05 SERIES GIGABIT CIRCUIT



C1 = 1000pF, 2kV DECOUPLING CAPACITOR
 R1-R4 = 75 OHMS, 1/16W RESISTORS
 C2-C5 = 0.1μF, 10%, 50V, X7R CAPACITORS



SUGGESTED PCB LAYOUT (Component Side)

THIS DRAWING IS A CONTROLLED DOCUMENT.		DWN G. ATTADIA - DOCK5 15MAR2005		 DONGGUAN CHINA	
DIMENSIONS: INCHES		CHK D. FAROLE 15MAR2005			
		TOLERANCES UNLESS OTHERWISE SPECIFIED: 0 PLC ± - 1 PLC ± - 2 PLC ± .010 3 PLC ± .005 4 PLC ± - ANGLES ± - APPLICATION SPEC -		MODEL NAME MAGJACK GANG NON-POE	DESC 1X4 7G05 GIGABIT TAB UP W/ LED SIZE A1 CAGE CODE - DRAWING NO 6610155 RESTRICTED TO -
PRODUCT SPEC 108-2100	APPLICATION SPEC -	CUSTOMER DRAWING		SCALE NTS SHEET 2 OF 2 REV G	