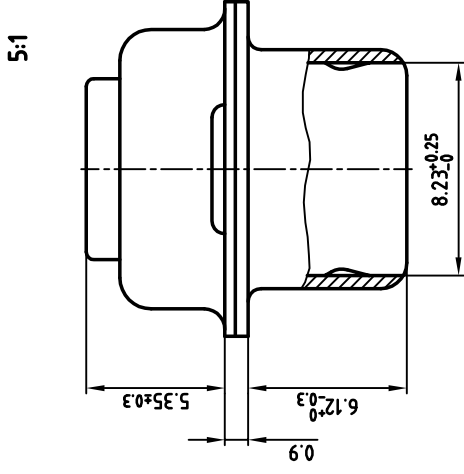
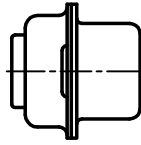
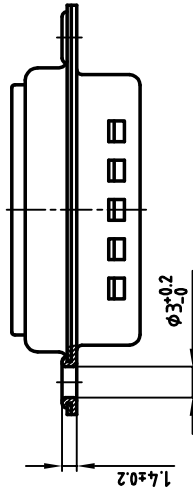
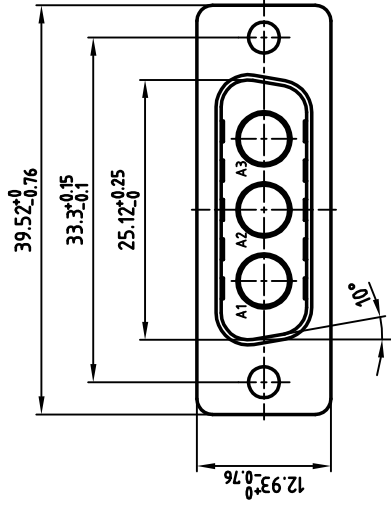


used for: D-SUB COMBINATION



Directive 2002/95/EC  
 „RoHS“  
 Compliant

**NOTES:**

1. METAL SHELLS: STEEL; TIN PLATED
2. INSULATOR: PBT GF, UL 94 V-0; GREEN

THIS DRAWING MAY NOT BE COPIED OR REPRODUCED IN ANY WAY, AND MAY NOT BE PASSED ON TO A THIRD PARTY WITHOUT WRITTEN PERMISSION.  
 OWNERSHIP AND COPYRIGHT OF CONEC GMBH  
**DO NOT ALTER CAD DRAWING BY HAND**

rev.	description	date	name

1998	date	name
drawn	11.09.	Barcinski
appd.	11.09.	Mickenbecker
norm		
e-old		

tolerance		scale: 2:1 (5:1)	
		material: SEE NOTES	
title:		D-SUB COMBINATION MALE	
		3W3P	
		WITHOUT CONTACTS	
dwg no:		[CAD/ REL:13	DIN-A
		13K2119A	
		3	
		sh: 1/1	
product no:		3003W3PXX99A10X	

