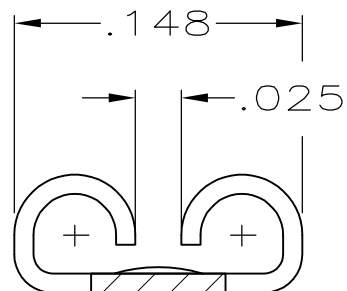
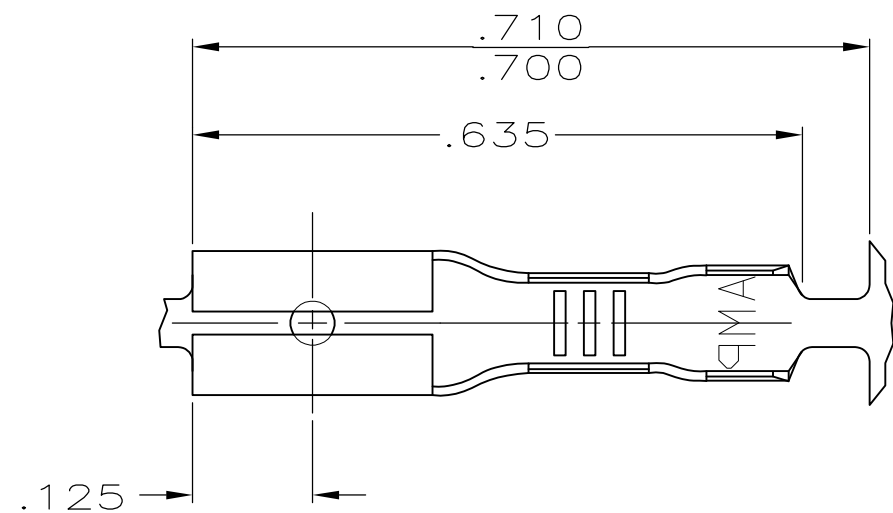
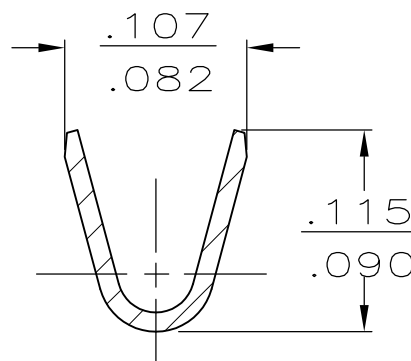
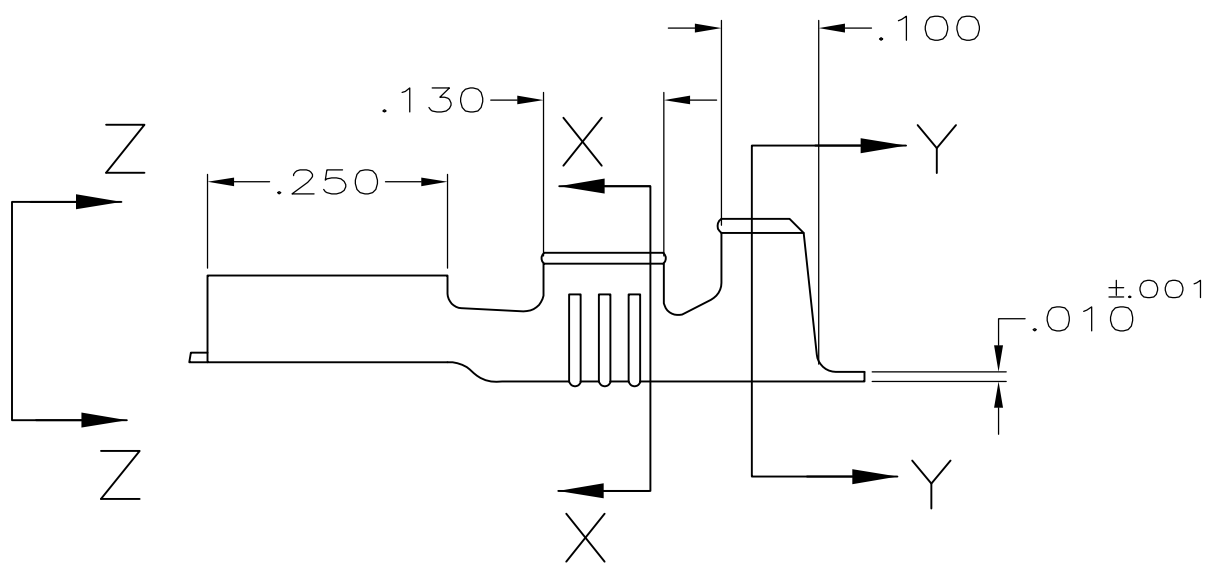


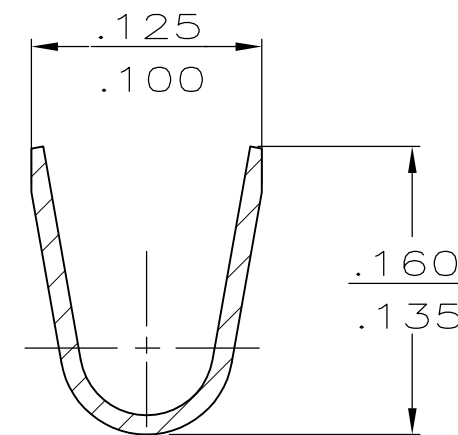
P	LTR	DESCRIPTION	DATE	DWN	APVD
	D	REVISED PER ECR-12-013445	27OCT12	KH	PD



VIEW Z-Z
SCALE 10:1



SECTION X-X
SCALE 10:1



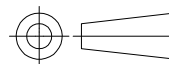
SECTION Y-Y
SCALE 10:1

- 1 CONTINUOUS STRIP ON REELS
- 2 WIRE SIZE IS #22-#18 AWG
- 3 INSULATION RANGE IS .060-.100 DIA
- 4 MATING TAB THK IS .032±.001
- 5 REELED WITH INTERLEAVING PAPER
- 6 PRELIMINARY - NOT FOR PRODUCTION

	60577-2
	60577-1
	WIRE SIZE

THIS DRAWING IS A CONTROLLED DOCUMENT.

DIMENSIONS:
INCHES



TOLERANCES UNLESS OTHERWISE SPECIFIED:

0 PLC	± -
1 PLC	± -
2 PLC	± -
3 PLC	± .015
4 PLC	± -
ANGLES	± -

MATERIAL

BRASS

FINISH

PRE-TIN

DWN	JR RUTH	12/20/90
CHK	MS FEHER	12/20/90
APVD	D REINER	12/20/90
PRODUCT SPEC		
APPLICATION SPEC		
WEIGHT		

NAME

RECEPTACLE, FASTON,
.110 SERIES

SIZE	CAGE CODE	DRAWING NO	RESTRICTED TO
A3	00779	C-60577	-

STE TE Connectivity

CUSTOMER DRAWING

SCALE 5:1

SHEET 1 OF 1

REV D