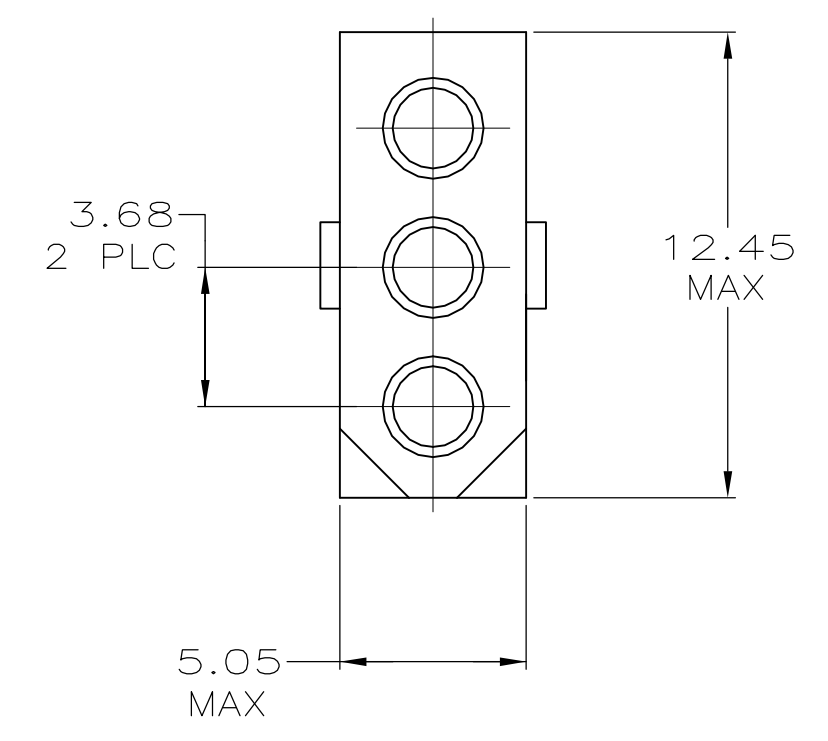
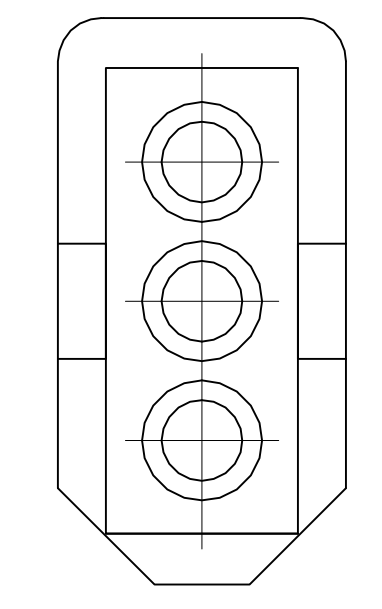
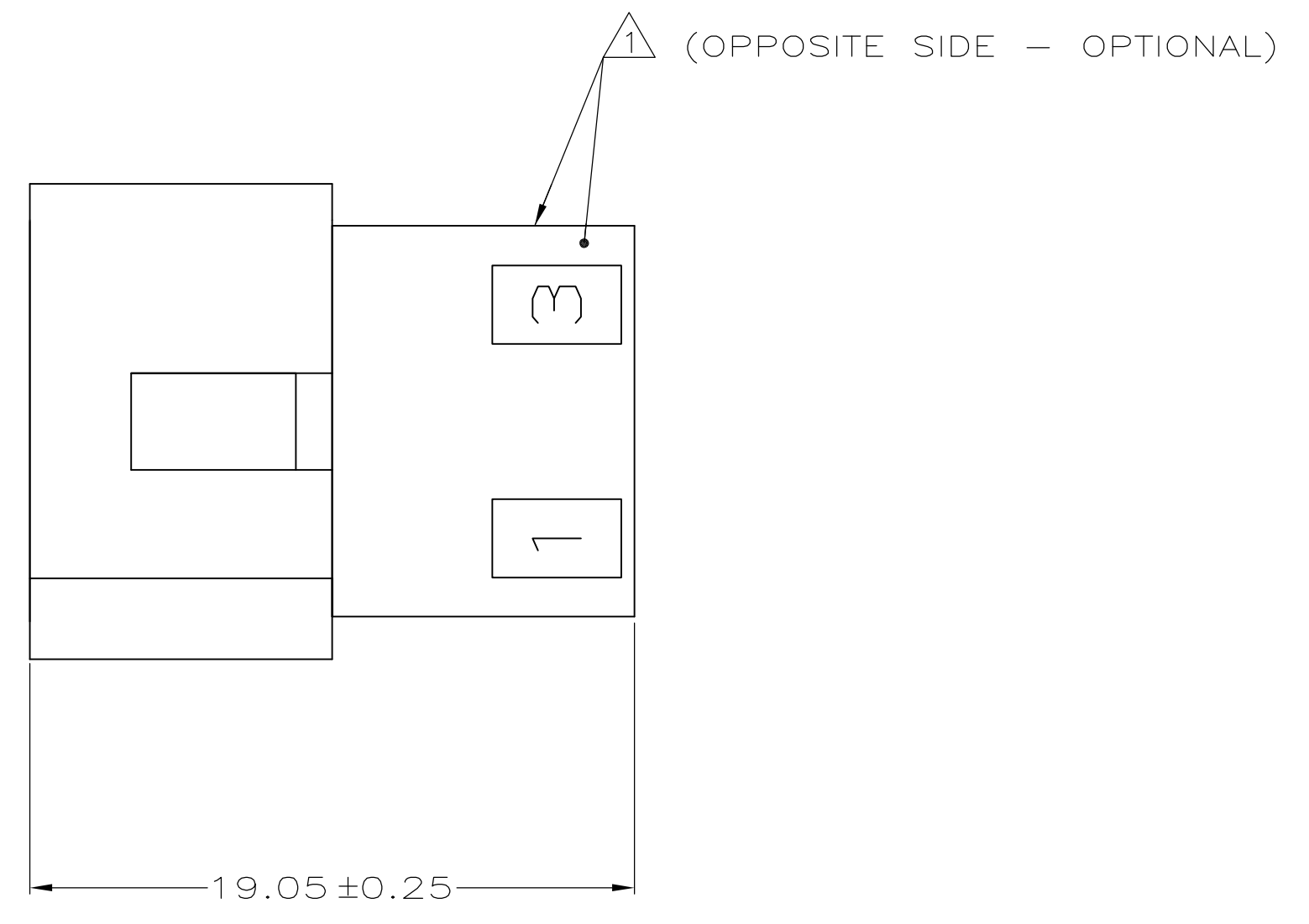
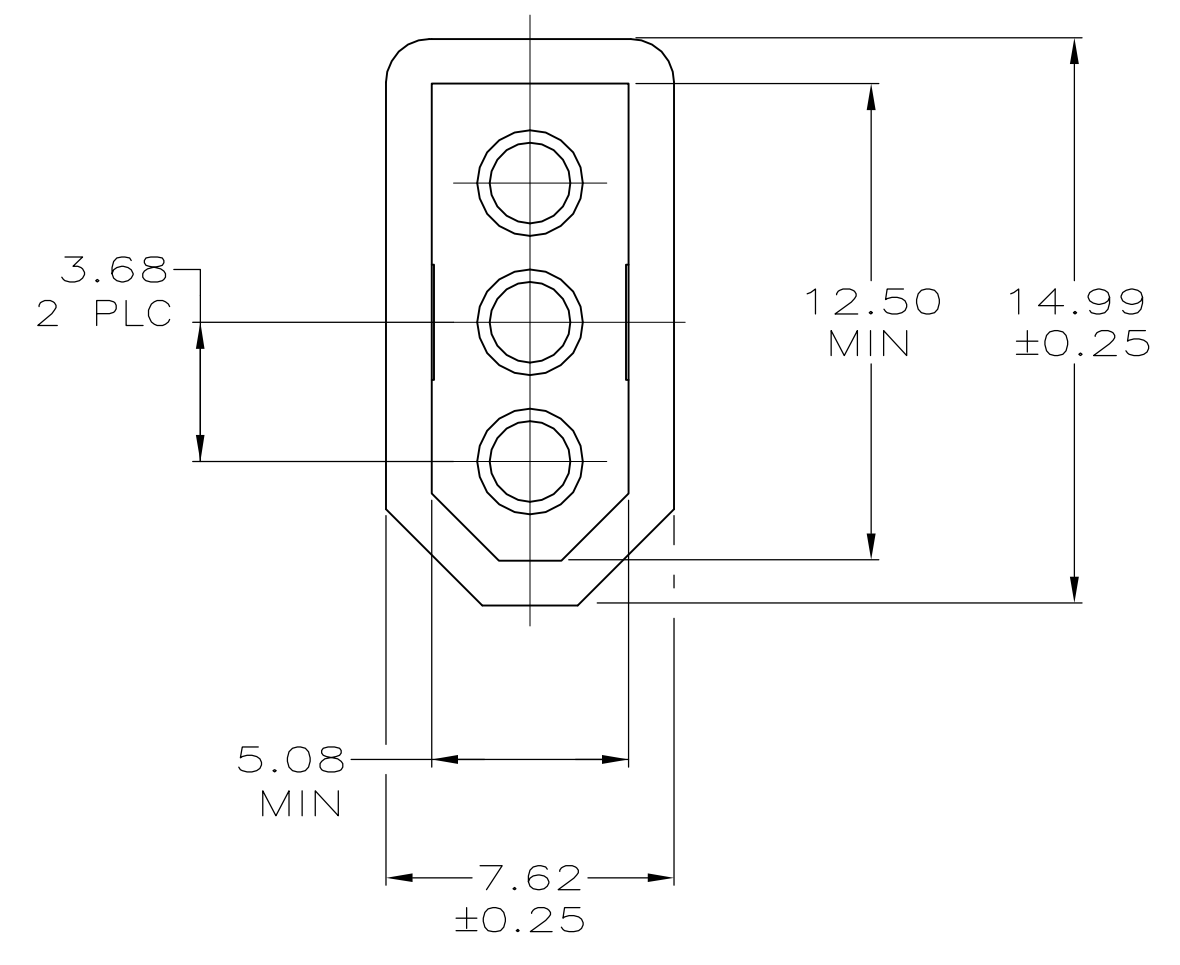
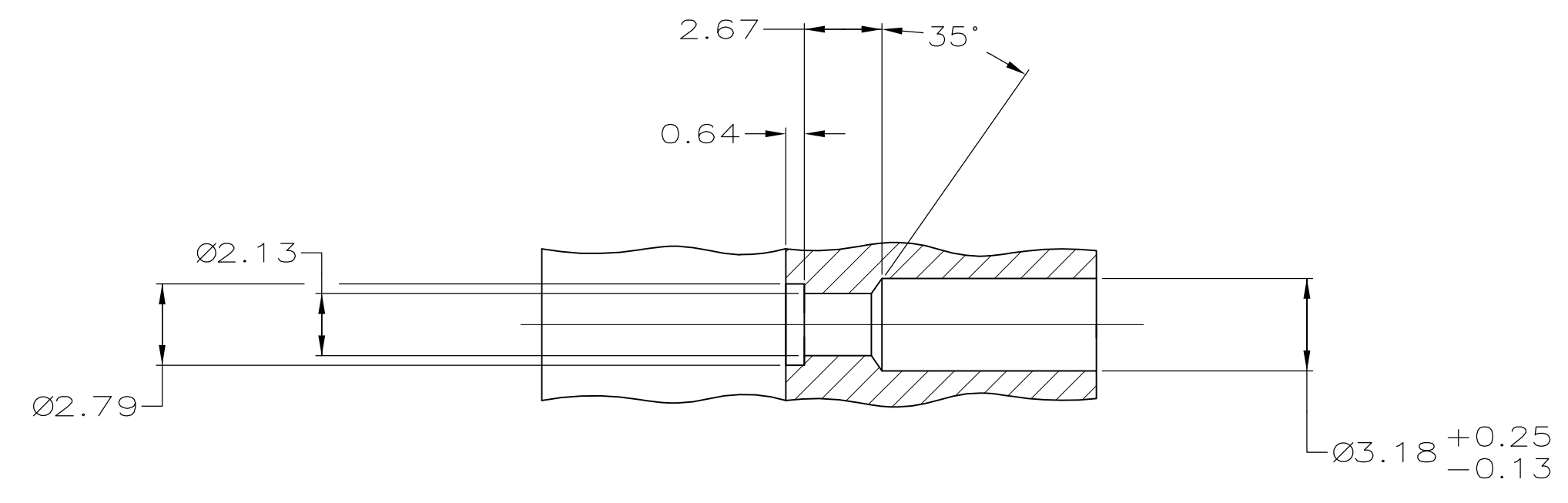


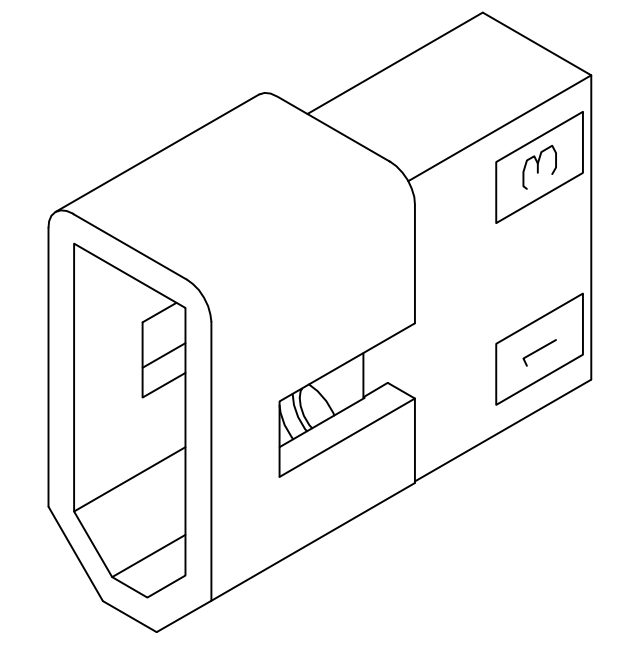
△ AMP LOGO AND CAVITY NUMBER LOCATED ON EITHER SURFACE.



MATING CONNECTOR INTERFACE



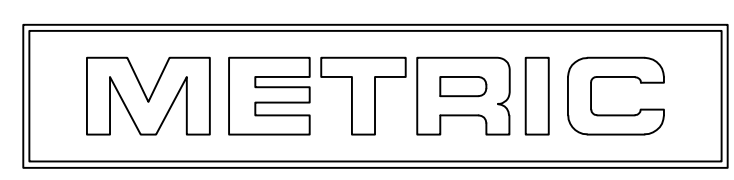
TYPICAL PLUG CAVITY SECTION (DIMENSIONS REFERENCE ONLY)



3-DIMENSIONAL MODEL NTS

2.67	.105	7.62	.300	-	-
2.13	.084	5.08	.200	-	-
1.57	.062	5.05	.199	19.05	.750
0.64	.025	3.68	.145	14.99	.590
0.25	.010	3.18	.125	12.50	.492
0.13	.005	2.79	.110	12.45	.490
MM	IN	MM	IN	MM	IN

CONVERSION TABLE



THIS DRAWING IS A CONTROLLED DOCUMENT.

DIMENSIONS:	TOLERANCES UNLESS OTHERWISE SPECIFIED:	DIN K. WHITAKER 11-4-93	Tyco Electronics Corporation
mm	0. PLC ± -	CHK R. SWING 11-4-93	Harrisburg, PA 17105-3608
	1. PLC ± -	APVD G. CASH 13JUL2007	NAME PLUG,3 CIRCUIT, .062 PIN AND SOCKET
	2. PLC ± 0.13		APPLICATION SPEC
	3. PLC ± -		RESTRICTED TO
	4. PLC ± -		SIZE CASE CODE DRAWING NO
	ANGLES ± 1°		WEIGHT
MATERIAL NYLON,UL 94V-2	FINISH -		A1 00779 C=770331
			CUSTOMER DRAWING

SCALE 5:1 SHEET 1 OF 1 REV D