

Panel mounting frames - VS-PPC-F1-RJ45-MNNA-1C-F - 1405222

Please be informed that the data shown in this PDF Document is generated from our Online Catalog. Please find the complete data in the user's documentation. Our General Terms of Use for Downloads are valid (<http://download.phoenixcontact.com>)



RJ45 panel mounting frame, IP67, for push-pull interlocking, metal, with Freenet system, for round mounting cutout, with seal

Key commercial data

Packing unit	0
Minimum order quantity	1
Catalog page	Page 288 (PC-2011)
GTIN	 4 046356 334792
Custom tariff number	85389099
Country of origin	GERMANY

Technical data

Mechanical characteristics

Locking type	Push Pull
Insertion/withdrawal cycles	>= 100
Color	silver
Ambient temperature (operation)	-40 °C ... 70 °C

Material data

Housing material	Zinc die-cast
Housing surface material	Nickel-plated
Material	Metal
Sealing material	NBR
Degree of protection	IP65/67

Electrical characteristics

Pollution degree	2
------------------	---

Classifications

eClass

eCl@ss 4.0	272607xx
------------	----------

Panel mounting frames - VS-PPC-F1-RJ45-MNNA-1C-F - 1405222

Classifications

eclass

eCl@ss 4.1	27260701
eCl@ss 5.0	27260701
eCl@ss 5.1	27260701
eCl@ss 6.0	27261207
eCl@ss 7.0	27440210

etim

ETIM 3.0	EC002310
ETIM 4.0	EC002310

unspsc

UNSPSC 6.01	31261501
UNSPSC 7.0901	31261501
UNSPSC 11	31261501
UNSPSC 12.01	31261501
UNSPSC 13.2	31261501

Accessories

Accessories

Female insert

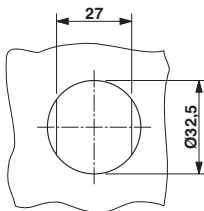
RJ45 female insert - VS-08-BU/BU-RJ45-F - 1405617



RJ45 female insert, for Freenet system, for VS-08 and panel mounting frame CAT5e, 8-pos., socket on socket

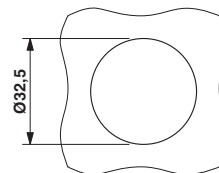
Drawings

Drilling diagram



Panel cutout

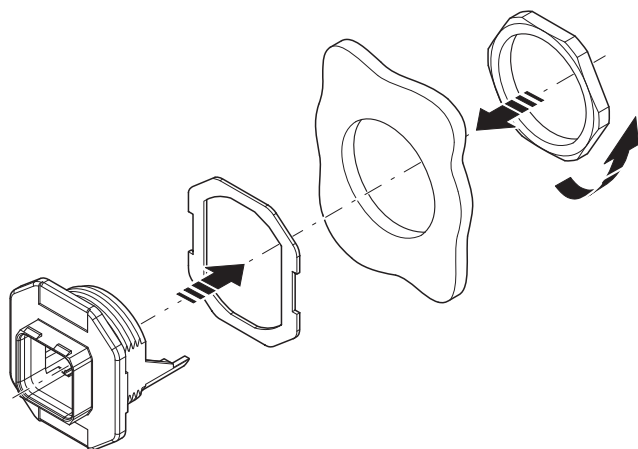
Dimensioned drawing



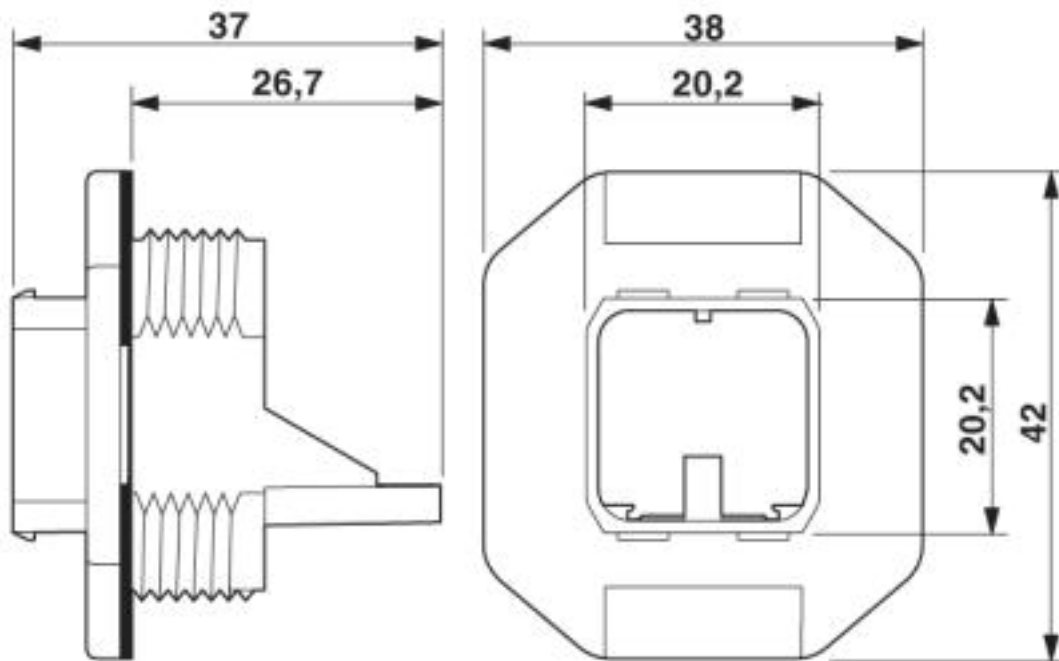
Panel cutout

Panel mounting frames - VS-PPC-F1-RJ45-MNNA-1C-F - 1405222

Explosion drawing



Dimensioned drawing



Push-Pull panel mounting frame, Freenet system, IP67