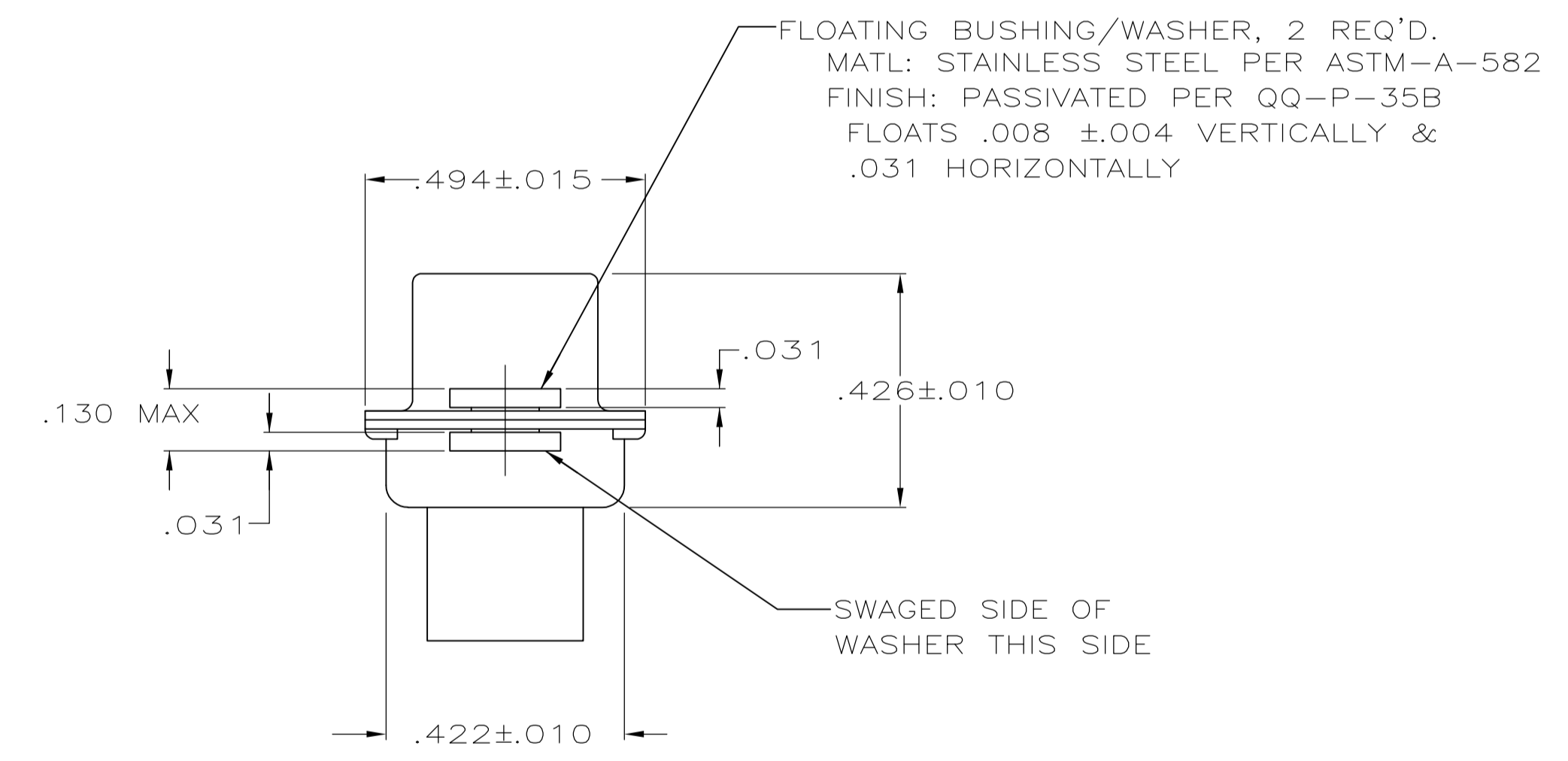
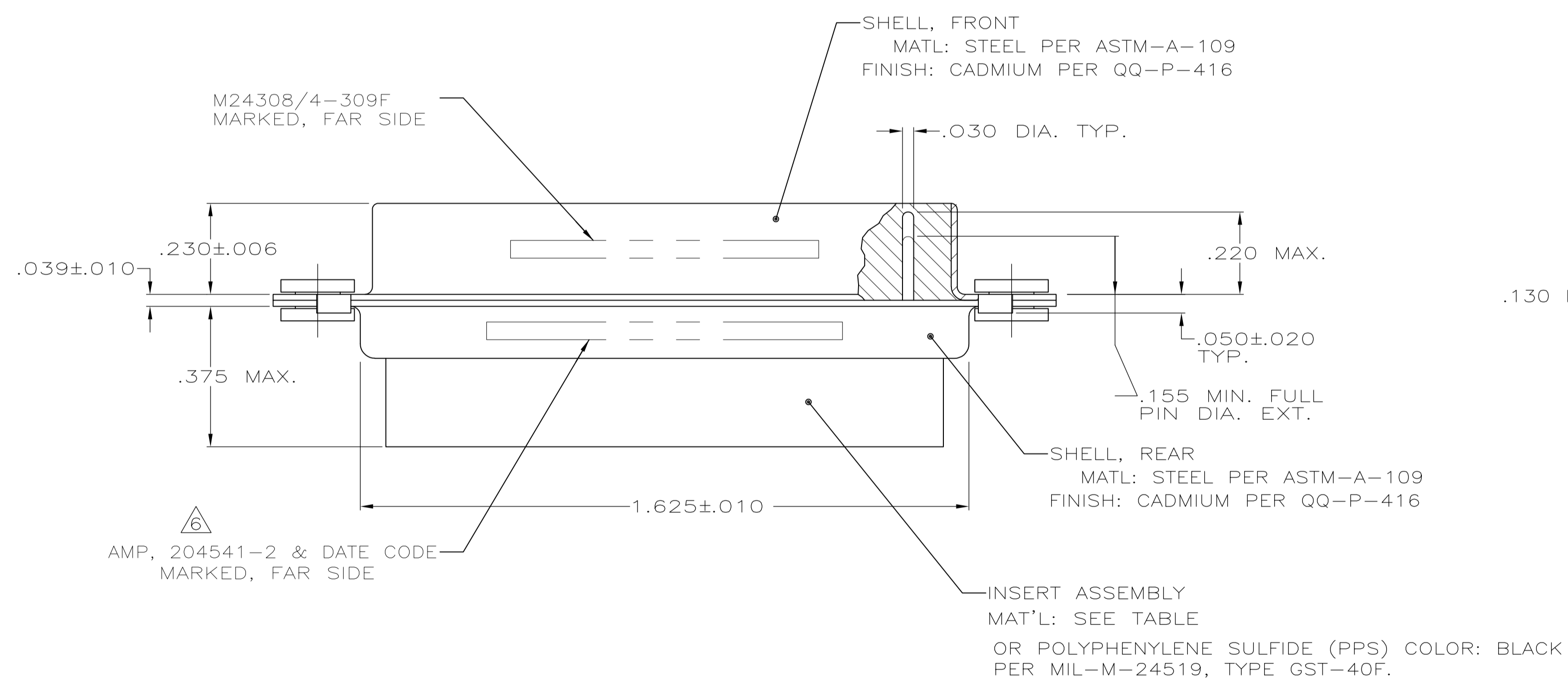
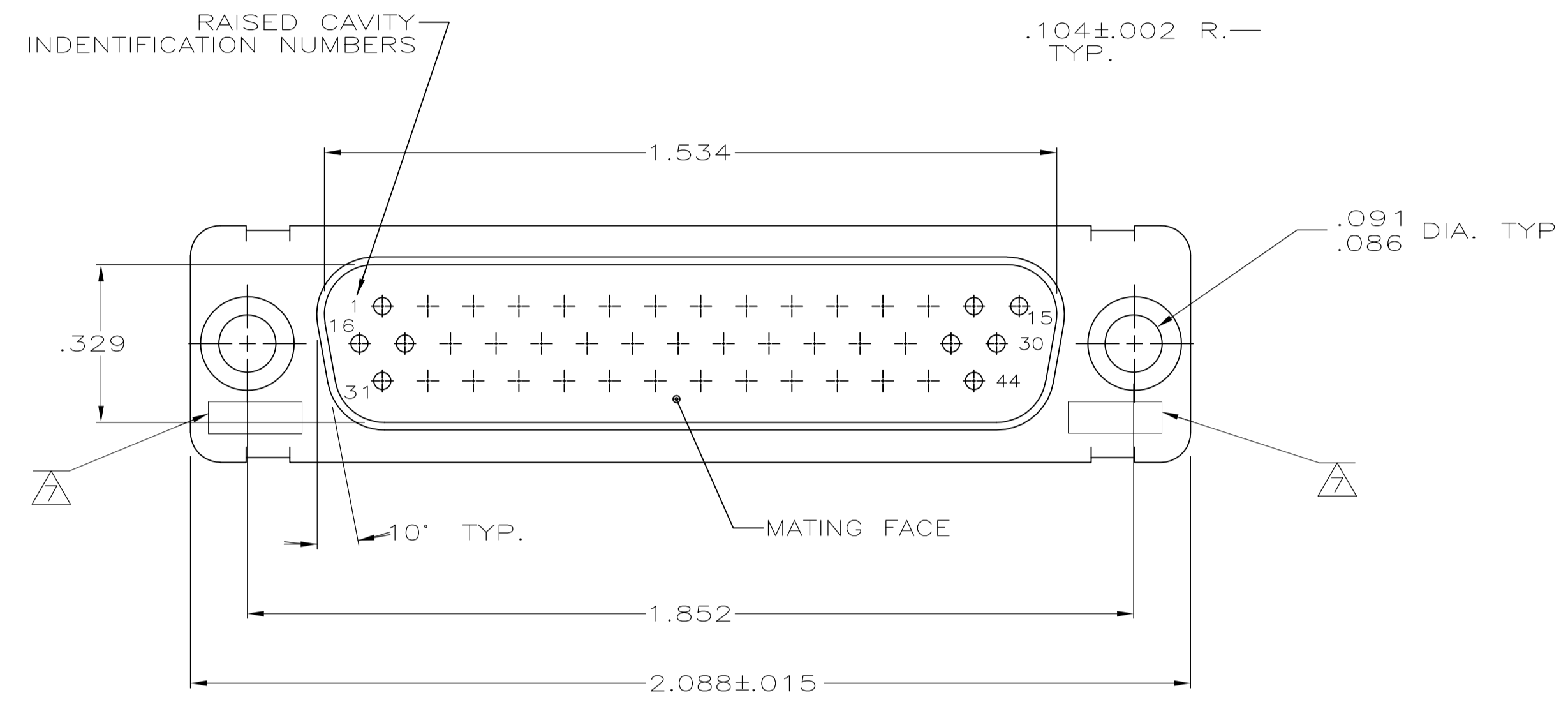


LOC		DIST		REVISIONS			
P	LTR	DESCRIPTION	DATE	DWN	APVD		
S		REV PER ECO-08-019991	22OCT08	PK	BW		



1. THIS PLUG IS DESIGNED TO CONFORM TO THE LATEST ISSUE OF MIL-C-24308
  2. MAX WIRE INSUL. TO BE USED WITH THIS PLUG IS .054 DIA.
  3. METAL RETENTION CLIPS ARE INCLUDED IN INSERTS
  4. PACKAGE MARKED M 24308/4-331F
  5. THIS PLUG WILL ACCEPT SIZE 22 PIN CONTACT M 24308/13 OR AMP # 204370
- △ AMP PART NO. MARKED ON CONNECTOR REPRESENTS KIT NUMBER WITH CONTACTS
- △ UL/CSA DESIGNATION MARKED IN THIS AREA.

OBSELETE	PHENOLIC, COLOR: BLACK	204529-2
	POLYPHENYLENE SULFIDE (PPS) GST-40F PER MIL-M-24519 OR CLASS FILLED POLYESTER TPES013G30 PER ASTM D5927 COLOR, BLACK	204529-1
	INSERT MATERIAL	PART NO.

THIS DRAWING IS A CONTROLLED DOCUMENT.

DIMENSIONS: INCHES	TOLERANCES UNLESS OTHERWISE SPECIFIED:	DWN: C.C. THOMAS 12-3-87	CHK: F.C. BALLEW 1-25-88	APVD: DJM 1-25-88	NAME: Tyco Electronics Corporation Harrisburg, PA 17105-3608
0 PLC ± -	1 PLC ± -	2 PLC ± -	3 PLC ± .005	4 PLC ± -	ANGLES ± -
MATERIAL: SEE CALLOUTS	FINISH: SEE CALLOUTS	WEIGHT: -	SIZE: A1	CAGE CODE: 00779	DRAWING NO: 204529
CUSTOMER DRAWING		SCALE: 4:1	SHEET: 1 OF 1	REV: S	RESTRICTED TO: -