

PART NUMBER and LEGEND	LED COLOR		
	POSITION 1	POSITION 2	POSITION 3
564-0700-819	GREEN	RED / GREEN	YELLOW / GREEN

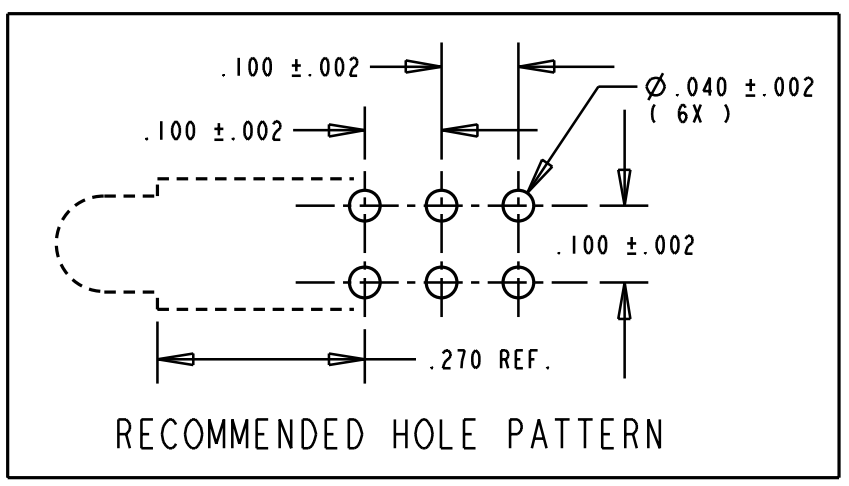
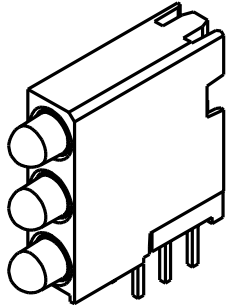
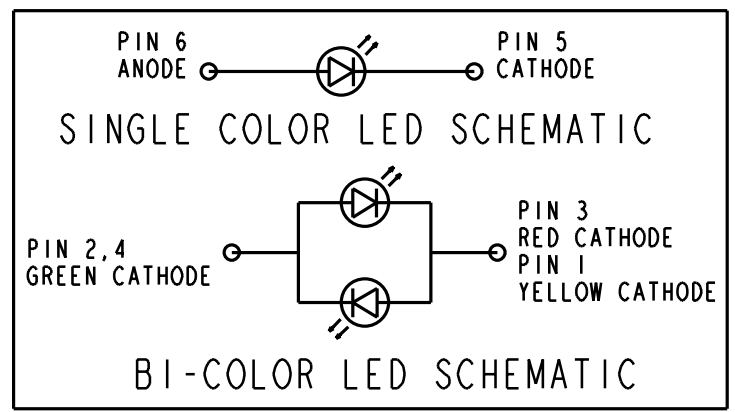
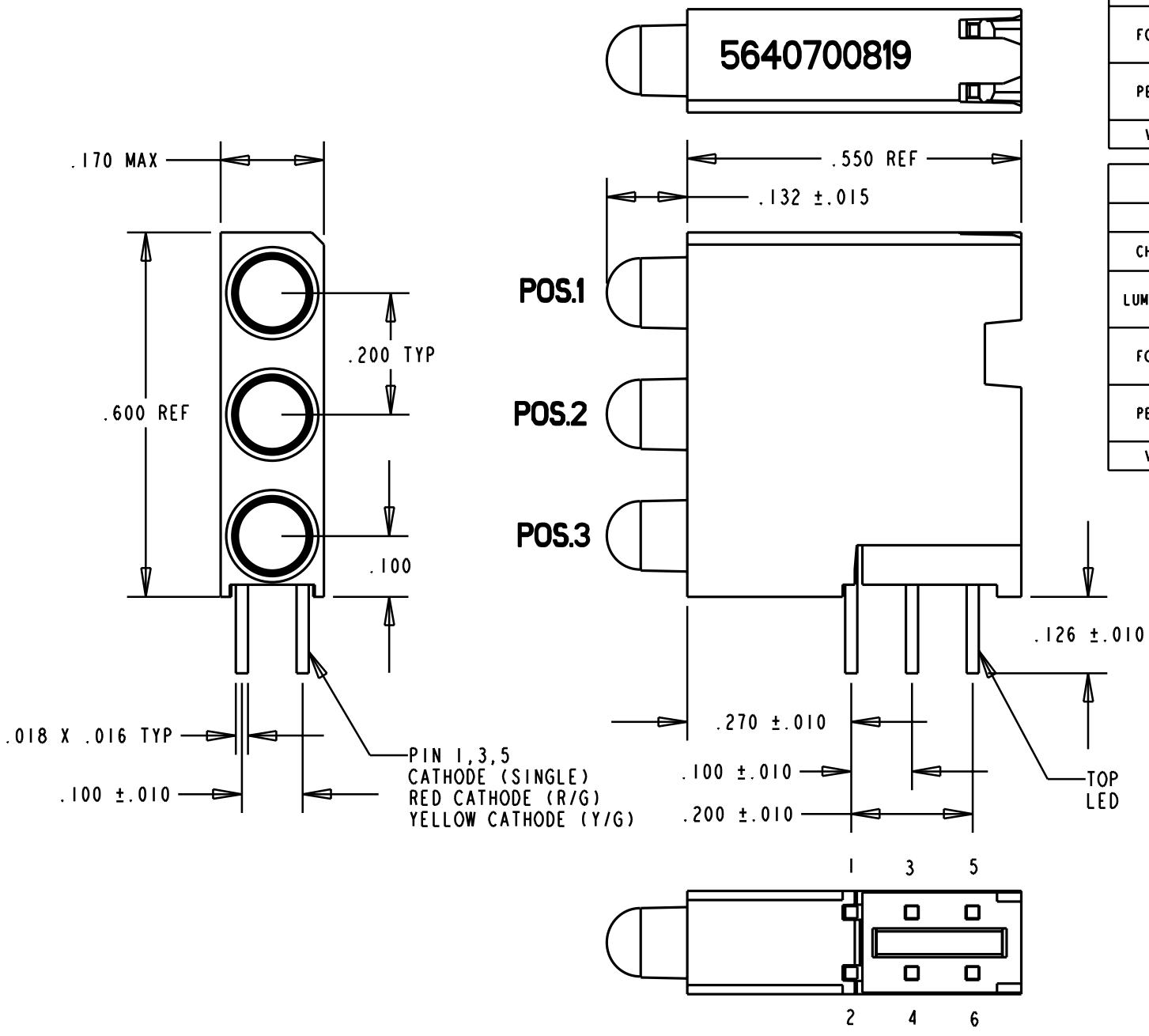
LED COLOR = YELLOW / GREEN						
OPERATING CHARACTERISTICS AT 25°C AMBIENT						
CHARACTERISTICS		MIN	TYP	MAX	UNITS	TEST CONDITIONS
LUMINOUS INTENSITY	YELLOW	2.5	4.3		mcd	I _f = 10 mA
	GREEN	2.5	6.3			
FORWARD VOLTAGE	YELLOW		2.1	2.8	V	I _f = 20 mA
	GREEN		2.1	2.8		
PEAK WAVELENGTH	YELLOW		585		nm	
	GREEN		565			
VIEWING ANGLE	ALL	80			Degree	

LED COLOR = RED / GREEN						
OPERATING CHARACTERISTICS AT 25°C AMBIENT						
CHARACTERISTICS		MIN	TYP	MAX	UNITS	TEST CONDITIONS
LUMINOUS INTENSITY	RED	2.5	4.7		mcd	I _f = 10 mA
	GREEN	3.7	10.0			
FORWARD VOLTAGE	RED		2.0	2.8	V	I _f = 20 mA
	GREEN		2.1	2.8		
PEAK WAVELENGTH	RED		635		nm	
	GREEN		565			
VIEWING ANGLE	ALL	60			Degree	

LED COLOR = GREEN						
OPERATING CHARACTERISTICS AT 25°C AMBIENT						
CHARACTERISTICS		MIN	TYP	MAX	UNITS	TEST CONDITIONS
LUMINOUS INTENSITY		4.7	12.6		mcd	I _f = 10 mA
FORWARD VOLTAGE			2.1	2.8	V	I _f = 20 mA
PEAK WAVELENGTH			565		nm	
VIEWING ANGLE		60			Degree	

ABSOLUTE MAXIMUM RATING AT 25°C AMBIENT					
	UNITS	YELLOW / GREEN		RED / GREEN	GREEN
		GREEN	YELLOW		
POWER DISSIPATION	mW	100	60	100	100
DERATE LINEARLY FROM 50°C	mA/°C	0.4	0.25	.40	0.4
CONTINUOUS FORWARD CURRENT	mA	30	20	30	30
PEAK FORWARD CURRENT (1/10 DUTY CYCLE, 0.1 ms PULSE WIDTH)	mA	120	80	120	120
LEAD SOLDERING TEMPERATURE, 5 SEC., 1/16" FROM BODY	°C	260		260	260
OPERATING TEMPERATURE	°C	-55 TO 100	-55 TO 100	-55 TO 100	-55 TO 100
STORAGE TEMPERATURE	°C	-55 TO 100	-55 TO 100	-55 TO 100	-55 TO 100

REV.	ECN NO.	REVISIONS	DRN.	CKD.	APP.	DATE
A	---	NEW RELEASE	AV	JMC	NO	10-19-00
B	---	CHANGE PIN No IN LED SCHEM	AV			



- NOTES:
- LEADS TO FIT INTO HOLES SPACED AS PER HOLE PATTERN
 - LEADS TO BE FREE OF DEFORMATION AFTER BENDING AND CUTTING
 - LED LEAD DIMENSIONS SHOWN ARE MEASURED AT HOUSING EXIT
 - PACKAGING = BLOCKS TO BE PLACED IN AN ANITSTATIC BAG
 - DIALIGHT PART NUMBER = 564-0700-819

THIS DRAWING AND THE CONTENTS HEREIN ARE CONFIDENTIAL AND THE SOLE PROPERTY OF DIALIGHT. REPRODUCTION OF THIS DRAWING OR CONSTRUCTION OF ANY PARTS WITHIN THIS DRAWING ARE FORBIDDEN WITHOUT THE WRITTEN CONSENT OF DIALIGHT.

SCALE 4:1	DRAWING NUMBER	REV
ALL DIM'S IN: INCHES	C-16755	B
TOLERANCES: UNLESS OTHERWISE SPECIFIED	TITLE EXTENDED TRI-LEVEL CBI BLOCK	
FRACTIONS: ±1/64	MATERIAL	
DECIMALS (.XX): ±.020	FINISH:	
DECIMALS (.XXX): ±.015	FSCM 83330	
DECIMALS (.XXXX): ±.010	SHEET OF	
ANGLES: ±3°	FAMILY TABLE:	
	Dialight	1913 ATLANTIC AVE. MANASQUAN, N.J. 08736

SCALE 2.000