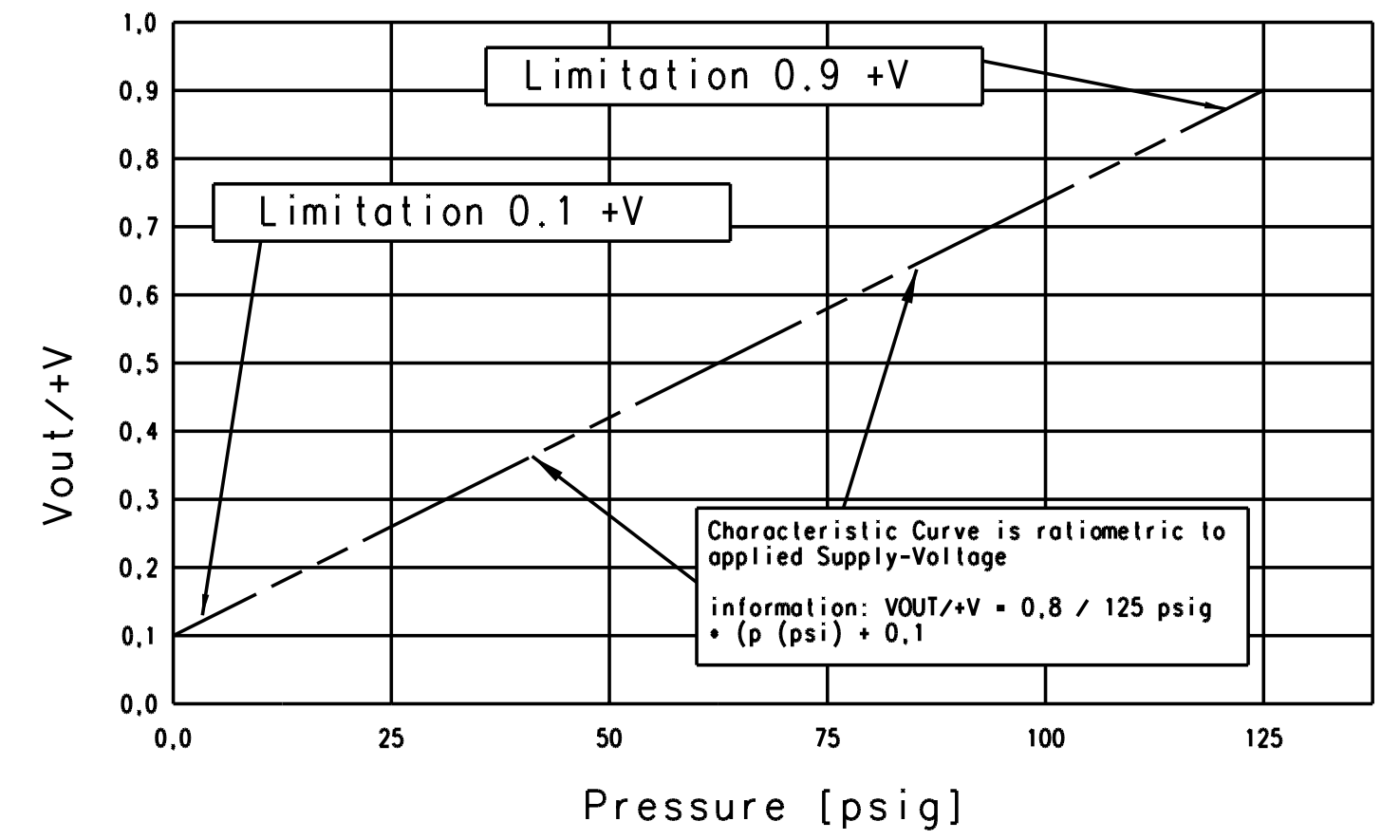


Part	Material
Contact pin	CDA 210 (brass)
Surface Treatment	Tin
Connector body - black	PBT 30% GF
Sensor housing	1215 Steel
Housing plating	Zinc
Pressure Port	17-4 Stainless Steel

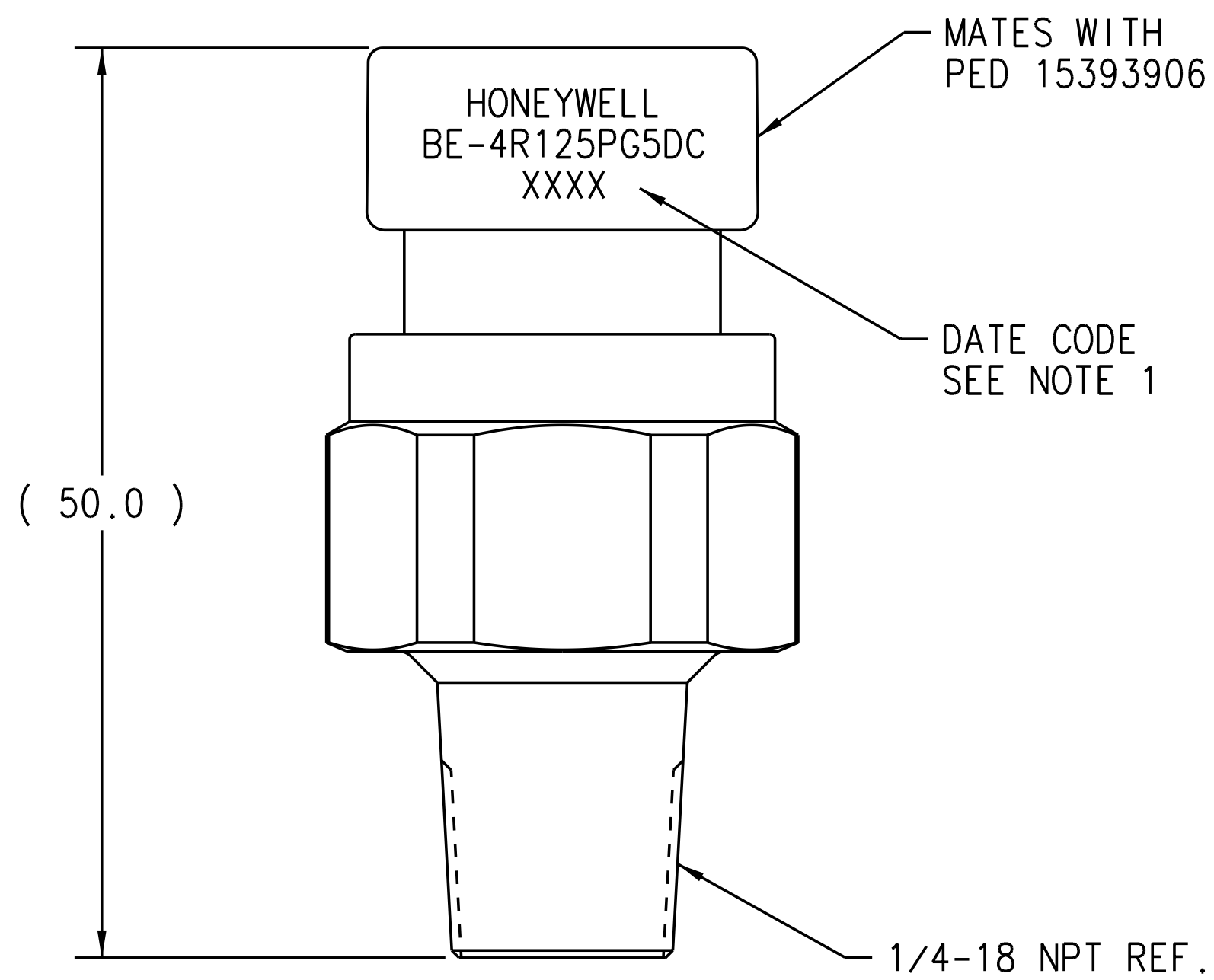
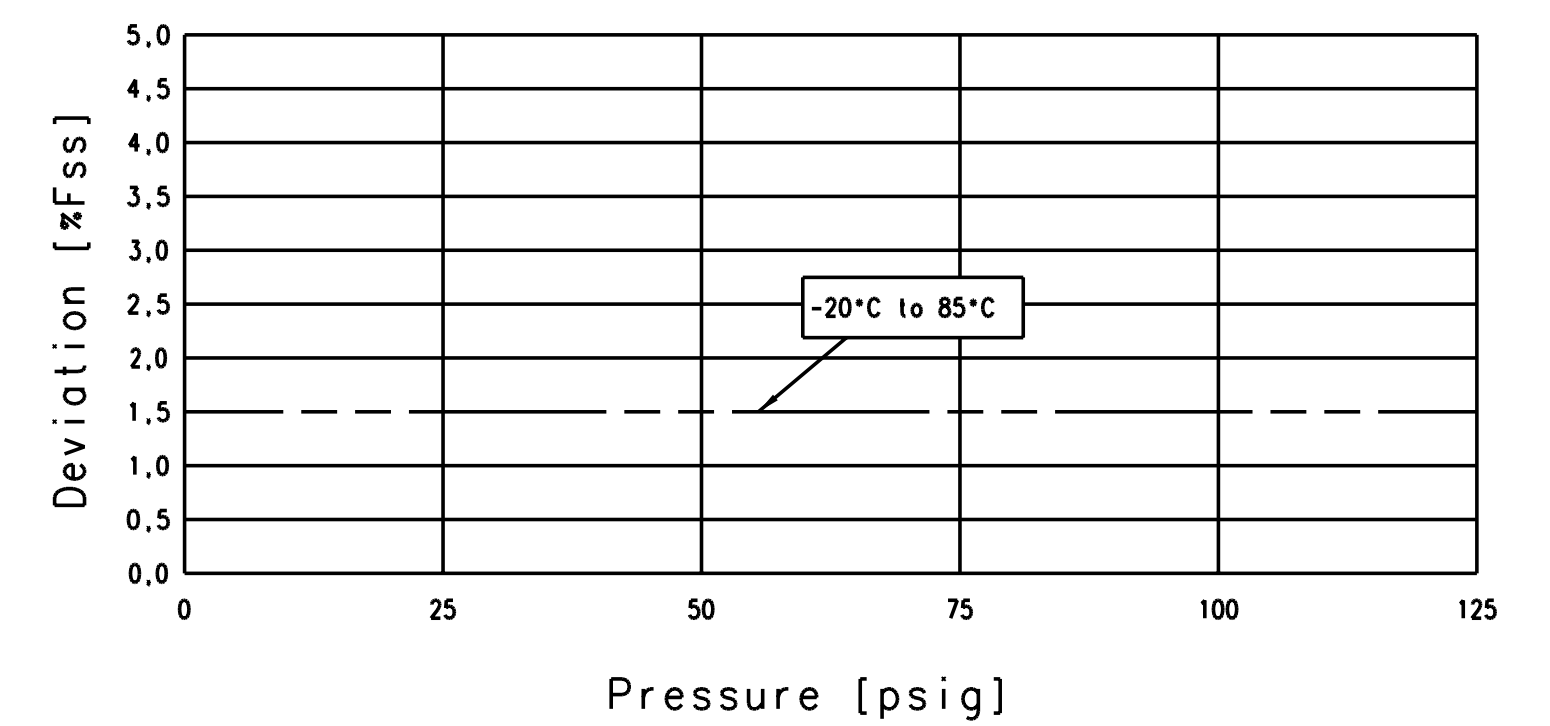
Specifications:

Maximum Tightening Torque	20 Nm
Recommended Tightening Torque	15 Nm
Current Consumption	10 mA
Supply Voltage	4.75 to 5.25 VDC
Output Current	2 kOhm min Load
Burst Pressure	375 psi
Proof Pressure	250 psi
This Sensor is Reverse Polarity/Overvoltage Protected to	14V
Temperature Range	-20°C to 85°C

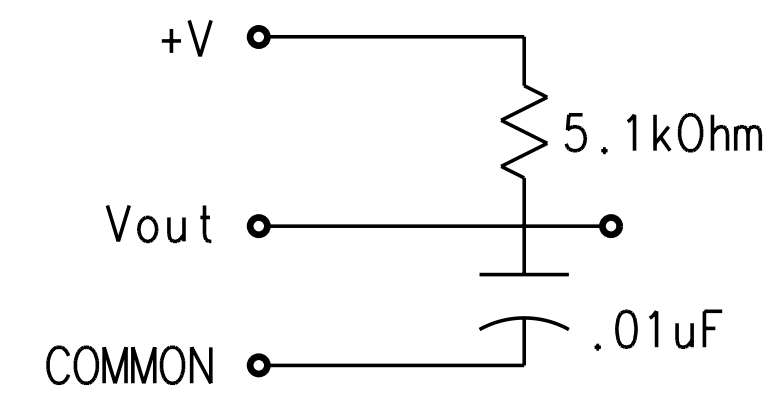
Transfer Characteristics of Pressure Signal



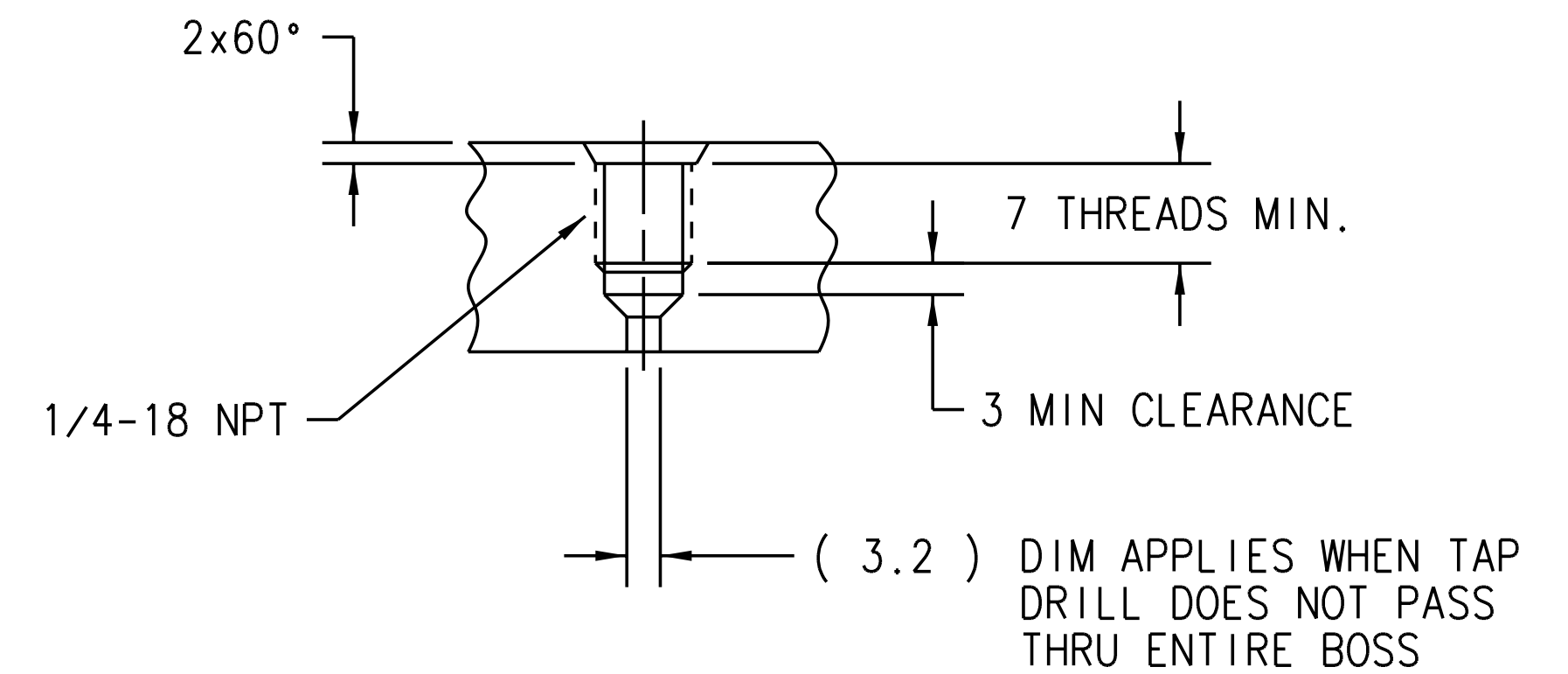
Tolerances of Pressure Signal over Pressure



SUGGESTED ELECTRICAL INTERFACE



PRESSURE INTERFACE DIMENSIONS



NOTES:

- INSTALLATION INSTRUCTION: WRAP 3.5 TO 4 TURNS OF 0.076mm (.003") THICK TEFLON THREAD SEALANT TAPE AND TORQUE SENSOR TO 15-20 Nm.
- DATE CODE CONTAINS 4 DIGITS (XXXX) THE FIRST DIGIT SIGNIFIES THE YEAR THE LAST THREE DIGITS SIGNIFY THE DATE OF THE YEAR
- VALIDATED TO TEST SPEC. 88842055

THIS DRAWING AND SPECIFICATIONS ARE THE PROPERTY OF HONEYWELL SENSING AND CONTROL AND SHALL NOT BE REPRODUCED, COPIED, OR USED AS THE BASIS FOR MANUFACTURE OR SALE OF APPARATUS OR DEVICES WITHOUT WRITTEN PERMISSION OF HONEYWELL SENSING AND CONTROL.		DRAWING TO BE INTERPRETED USING ASME Y14.5M-1994 CHANGES TO BE DONE ON CAD SYSTEM ONLY		<input type="checkbox"/> INCH <input checked="" type="checkbox"/> MM TOLERANCE 1 PLACE ± 2 PLACE ± 3 PLACE ± ANGULAR ± DIM SIZE C	DRAWN BY 10/10/01 CHECKED T.PHAM 10/10/01 ENG. APP. T.PHAM 05/22/02 E.R.N. 44106 05/22/02	Honeywell Sensing and Control 1100 Airport Road Shelby, NC 28150-3699	
MAKE FROM		MATERIAL		PART NAME		CHANGE	
O1 ADDED CHARTS AND OTHER DATA		FINISH		FINAL ASSEMBLY		17650078	
CH. CHANGE DESCRIPTION		APP'D BY		PART NO.		01	