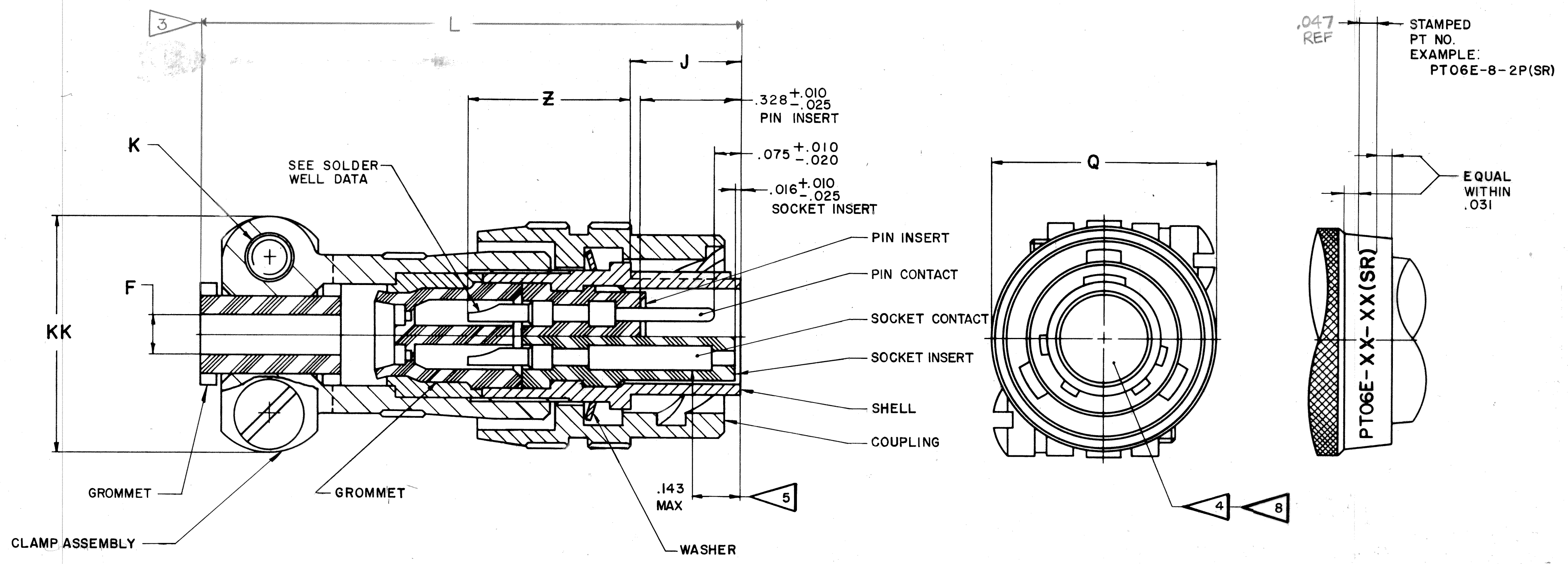


REL NO. 32508-730		REVISIONS		M	
CHG NO.	SYM	DESCRIPTION	DATE	APPROVED	
43525 -846	A2	(MFG); REDRAWN SAME SIZE, PROVIDE ENVELOPE DWG	3-25-65	Harrison	
45525 -959	A3	WAS 10-144606/50 (DWG NO. SHEET 2)	7-5-66	Harrison	
	B	(CLI) SEE ECN 90826	7/19/67	J. Balaban	
95183	C	(OLD) CHANGED STAMPING HEIGHT DIMENSION	7/8/69	J. E. D.	
97334	D	(CLI) SEE ECN 97334	11-17-65	J. E. D.	



ITEM NO.	QTY REQD	DESCRIPTION	PART NUMBER	CODE IDENT	ZONE	NEXT ASSEMBLY
PARTS LIST						
UNLESS OTHERWISE SPECIFIED		DRAWN: MOORE	DATE: 5-3-57	THE Bendix CORPORATION SCINTILLA DIVISION SIDNEY, NEW YORK, U.S.A. TITLE: CONNECTOR, ELECTRICAL PLUG, TYPE PT-E()MC, OLIVE DRAB, ENVELOPE DRAWING CODE IDENT NO. 77820 SIZE C 71-144606 THRU 71-144650 SCALE NONE WT REF SHEET 1 OF 2		
LINEAR DIMENSIONS ARE IN INCHES. TOLERANCES: 3 PLACES ±.010; 2 PLACES ±.03; 1 PLACE ±.1; ANGLES ±2°. OTHER STANDARDS PER SCINTILLA SPEC 9-3800 AND MIL-STD 8.		CHECKED: Keller	DATE: 5-10-65			
MATERIAL SPEC	PROCESS SPEC	STANDARDS: J. Balaban 5-10-65	DRAFTING: Al Smith 5-10-65			
	SEE SHEET 2	ENGINEERING: J. M. Harrison 5-10-65	DEVELOPMENT: [Signature] 4-21-65			

SEE SHEET 2

NOTES: REF SYMBOL

REL NO.	32508-230		REVISIONS	M
CHG NO.	SYM	DESCRIPTION	DATE	APPROVED
	A2	SEE SHEET I FOR ALL CHANGES		
	A3			
	B			
	C			
	D			

ASSEMBLY NUMBER	PT NO.	F DIA	J	K THRD CLASS 2	L MAX	Q MAX	Z ±.030	KK MAX
71-144606 -	06E-6- (SR)							
NOT AVAILABLE								
71-144608 -	-8-	.125	.353	6-32UNC	1.906	.721	.525	.775
71-144610 -	-10-	.188				.831		.837
71-144612 -	-12-	.312				.997		.963
71-144614 -	-14-	.375				1.125		1.087
71-144616 -	-16-	.500			2.047	1.254		1.150
71-144618 -	-18-	.625		8-32UNC	2.078	1.364		1.400
71-144620 -	-20-	.625	.415		2.250	1.493	.619	1.400
71-144622 -	-22-	.750			2.250	1.621		1.587
71-144624 -	-24-	.800			2.312	1.761		1.681
71-144626/50								
NOT AVAILABLE								


2

- DISTANCE BETWEEN END OF SHELL & THE POINT AT WHICH A GAGE PIN, HAVING THE SAME BASIC DIAMETER AS THE MATING CONTACT & A SQUARE FACE, ENGAGES SOCKET CONTACT SPRING.
- INSERTS & CONTACTS MUST NOT BE REMOVED.
- DIMENSION INDICATES FINAL INSTALLATION.
- TO COMPLETE ASSY NO. & PT NO., ADD APPLICABLE INSERT ARRANGEMENT SUFFIX TO BASE NUMBERS LISTED ABOVE PER 9-2437-1.
- MATES WITH RECEPTACLES 71-144006/50.
- FOR CONTACT ARRANGEMENTS, SEE DRAWINGS L-15206-() THRU L-15250-().
- UNITS ILLUSTRATED MEET THE MATERIAL & FINISH REQUIREMENTS OF MIL-C-26482.
- ALL UNUSED GROMMET HOLES TO BE FILLED WITH GROMMET SEALING ROD OR GROMMET SEALING PLUGS. SEE DRAWING 10-150000 (# 27 & # 28).

NOTES: REF SYMBOL 

SOLDER WELL DATA		
CONTACT SIZE	20	16
WELL DIA	.046 ^{+0.004} _{-0.000}	.078 ^{+0.004} _{-0.002}
WELL DEPTH	^{+0.031} _{-0.000}	.125 .188

ACCESSORIES (NOT PART OF STANDARD ASSEMBLY)
SEE DRAWING 10-150000

ITEM NO.	QTY REQD	DESCRIPTION	PART NUMBER	CODE IDENT	ZONE	NEXT ASSEMBLY
PARTS LIST						
UNLESS OTHERWISE SPECIFIED			DRAWN: MOORE	DATE: 5-3-57		
LINEAR DIMENSIONS ARE IN INCHES. TOLERANCES: 3 PLACES ±.010; 2 PLACES ±.03; 1 PLACE ±.1; ANGLES ±2°. OTHER STANDARDS PER SCINTILLA SPEC 9-3800 AND MIL-STD 8.			CHECKED: <i>Kellu</i>	DATE: 5/19/65		
MATERIAL SPEC			STANDARDS: <i>J. Valantini</i> 5-10-65			
PROCESS SPEC TEST 9-3980-2			DRAFTING: <i>W. J. ...</i> 5-10-65			
9-2437-1			ENGINEERING: <i>W. J. ...</i> 5-10-65			
			DEVELOPMENT: <i>W. J. ...</i> 5-21-65			
				 SCINTILLA DIVISION SIDNEY, NEW YORK, U.S.A.		
				CONNECTOR, ELECTRICAL PLUG, TYPE PT-E () MC, OLIVE DRAB, ENVELOPE DRAWING		
		CODE IDENT NO.	SIZE	71-144606 THRU 71-144650		
		77820	C			
SCALE NONE	WT	REF	SHEET	2		

71-144606/50