

Part No.	Cable color
~062*1~	GRAY
~062*2~	BLACK
~062*3~	WHITE

NOTE ① We indicate the length of the harness on the last of product name. 'L' part.

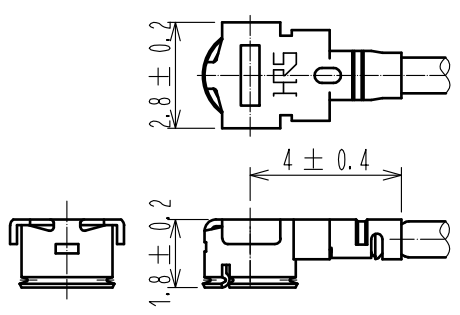
② Tolerance for [L]

Length L [mm]	Tolerance [mm]
$35 \leq L \leq 200$	± 4
$200 < L \leq 500$	± 8
$500 < L \leq 1000$	± 12
$1000 < L$	$\pm 1.5\%$

③ Connector rotation angle is within ± 45 degree from the above image. For long length in the case of $L > 500$, the angle is optional.

4. Specifications are subject to change without notice.

【 DIMENSIONS OF CONNECTOR 】



1	U. FL-LP-062	CL331-0455-3	2	0.95 Dia. coaxial cable
NO.	PART NO.	CODE NO.	NO.	PART NO.

UNITS mm 	SCALE FREE	COUNT 	DESCRIPTION OF REVISIONS		DESIGNED	CHECKED	DATE
			APPROVED : NK. NINOMIYA 16.07.21	DRAWING NO.			
HIROSE ELECTRIC CO., LTD.	CHECKED : MT. KANEKO 16.07.20	PART NO. U. FL-2LP-062**D-AC-L		①			
	DESIGNED : MS. MATSUMOTO 16.07.20	CODE NO.					
	DRAWN : MS. MATSUMOTO 16.07.20						