

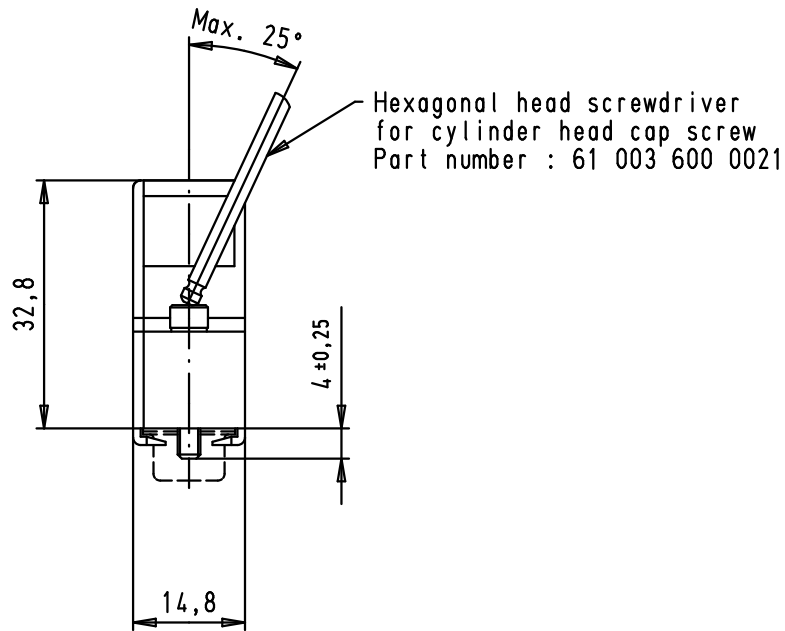
5

4

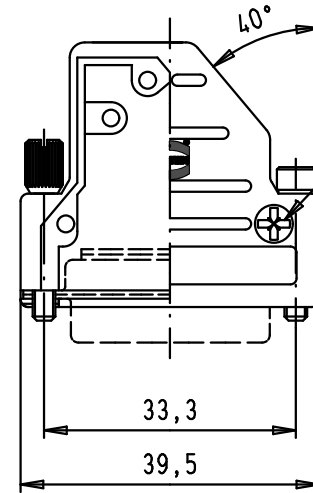
3

2

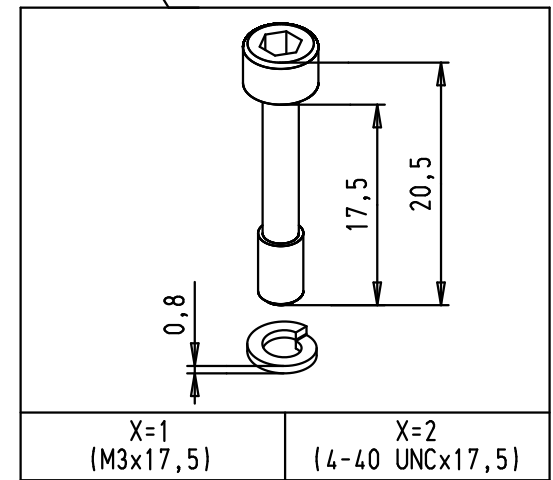
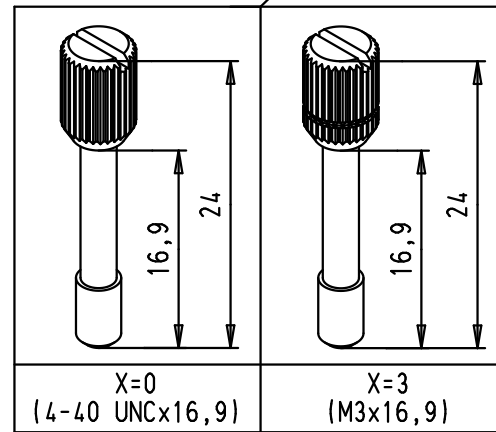
1



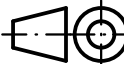

Hexagonal head screwdriver  
for cylinder head cap screw  
Part number : 61 003 600 0021



Cover screws (x3)  
M2,5x6,5  
Type Z posidriv  
Screwdriver head #1



NOTA :Full metal hood made  
with zinc diecast

						Dot.	Name	 All Dim. in mm Orig. Size DIN A 4	INDUCOM - 15 poles, full metal hood for D-Sub, angled cable entry	Maßstab/ Scale	
A	61 03 001 X014					Detail.	14/08/03 STRAUCH			TB 61 03 001 X014 Sub.	1:1 Blatt/ Page 1 / 1
	61 03 001 3014	Knurled thumb screw	M3 x 16,9			Insp.					
	61 03 001 0014		4-40 UNC x 16,9			Stand.					
	61 03 001 2014	Cylinder socket head cap screw with spring washer [2,6 DIN 127B]	4-40 UNC x 17,5	36163	29/09/10	SC	HARTING Electronics GmbH & Co. KG D-32339 ESPELKAMP				
	61 03 001 1014		M3 x 17,5	32473	10/01/05	STRAUCH					
	Part number	Screw type	screw size	Mod.	Dot.	Name					