



PART NAME

## EXTRUDED ALUMINUM IP65 PCB ENCLOSURES

PART No.

EXN-23363 (SEE TABULATION FOR COMBINATIONS)

REVISION DATE

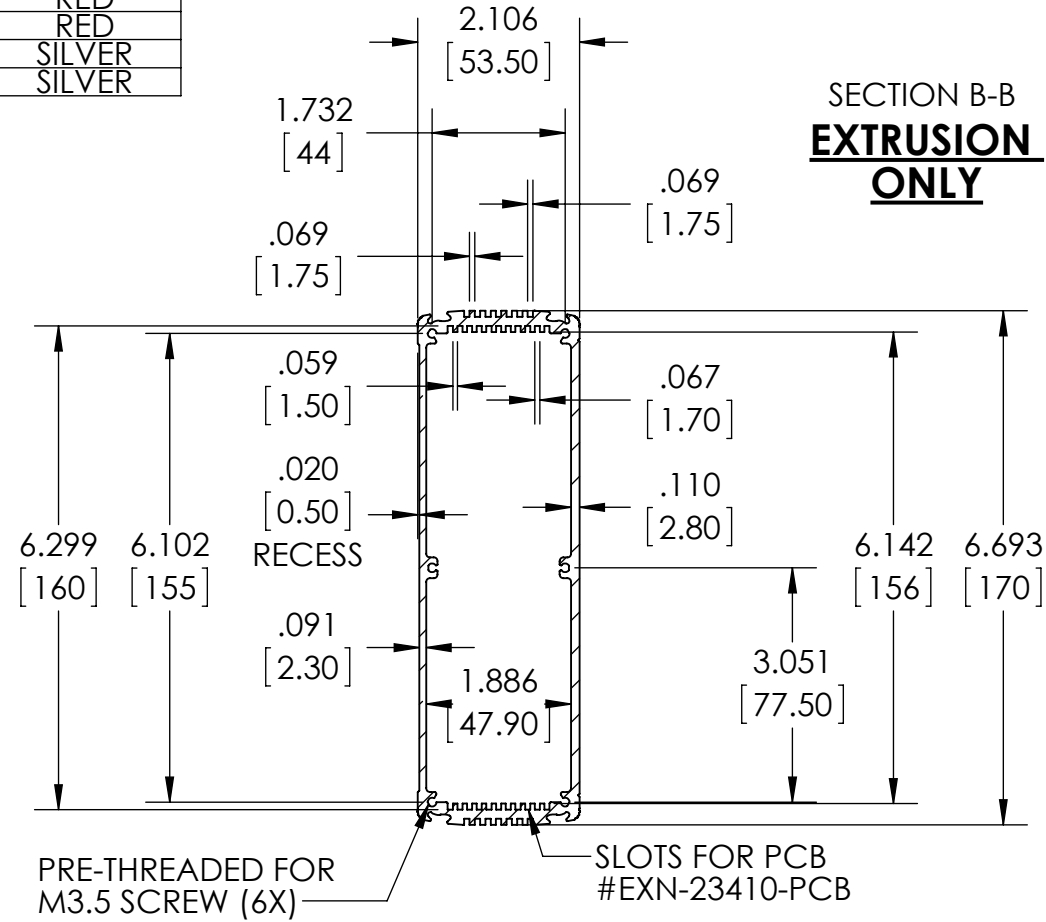
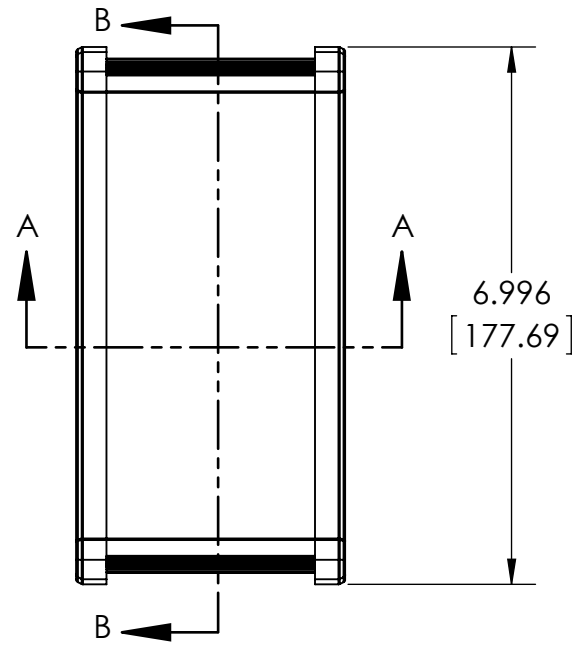
10-23-15

PART NUMBER	ALUM. COVER	PLASTIC COVER	BODY COLOR
EXN-23363-BK	BLACK	-	BLACK
EXN-23363-BKP	-	BLACK	BLACK
EXN-23363-BL	BLACK	-	BLUE
EXN-23363-BLP	-	TRANSLUCENT BLUE	BLUE
EXN-23363-GD	BLACK	-	GOLD
EXN-23363-GDP	-	CLEAR	GOLD
EXN-23363-RD	BLACK	-	RED
EXN-23363-RDP	-	IR RED	RED
EXN-23363-SV	BLACK	-	SILVER
EXN-23363-SVP	-	CLEAR	SILVER

MATERIAL: ALUMINUM EXTRUSION BODY PROVIDED WITH ALUMINUM COVER (2X) AND GASKETS OR POLYCARBONATE COVER (2X) AND GASKETS - NOT ASSEMBLED

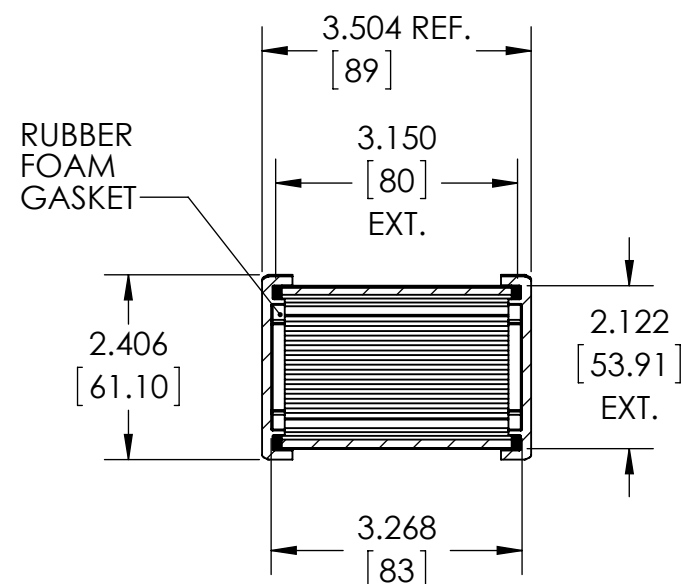
DIMENSIONS ARE INCH[MM]

**DRAWING FOR REFERENCE**  
WE RESERVE THE RIGHT TO MAKE CHANGES TO OUR STANDARD PRODUCTS. PLEASE CONSULT WITH BUD INDUSTRIES PRIOR TO USING THIS DRAWING FOR DESIGN PURPOSE.

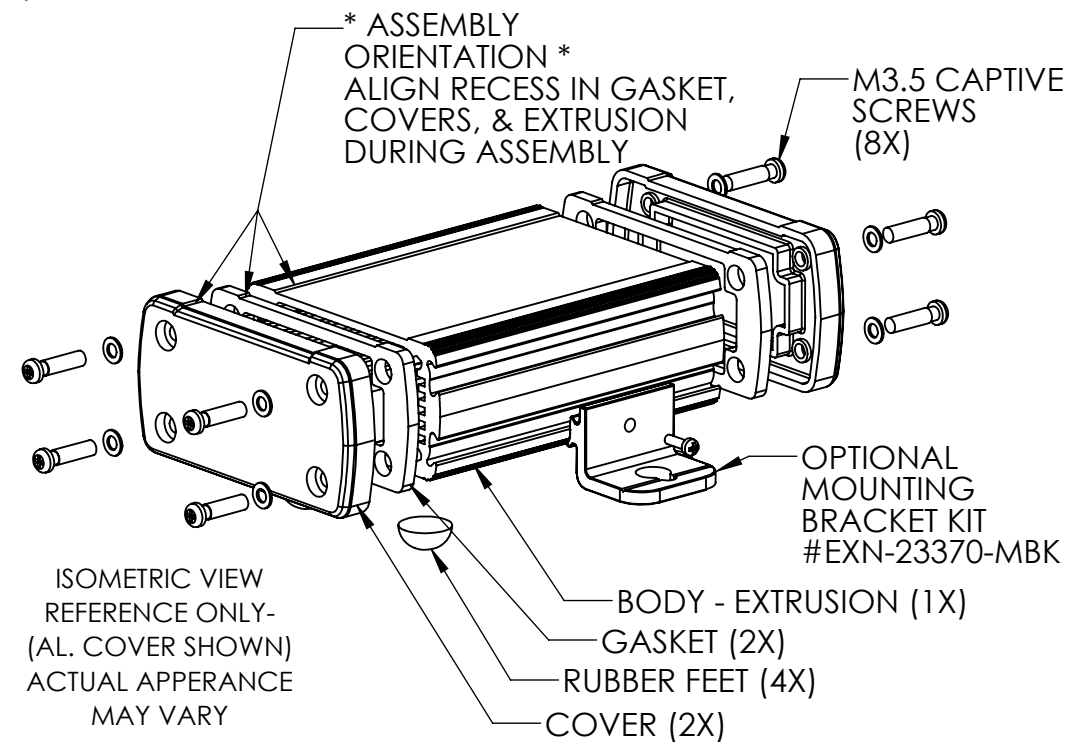
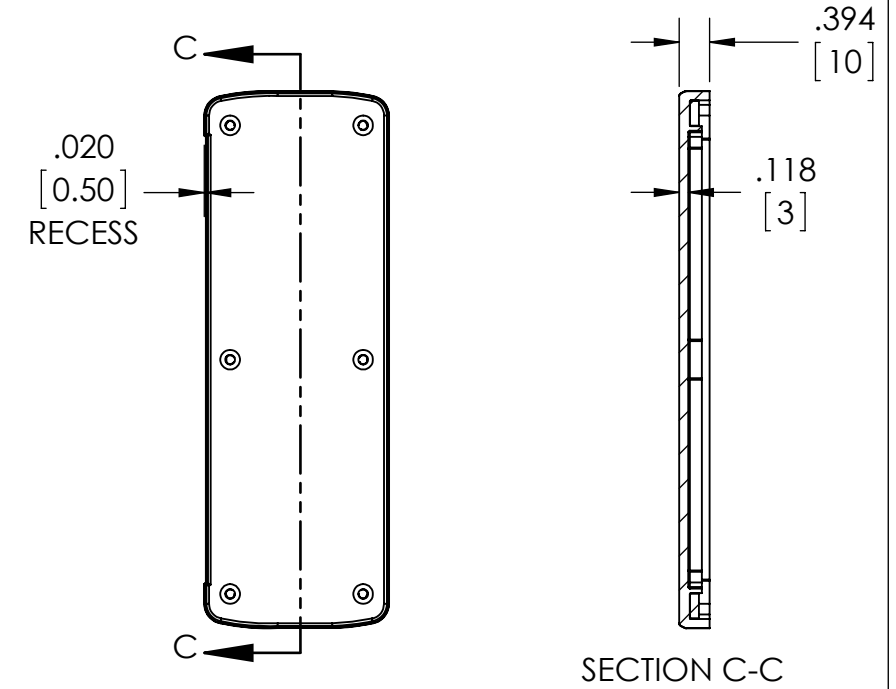


PRE-THREADED FOR M3.5 SCREW (6X)

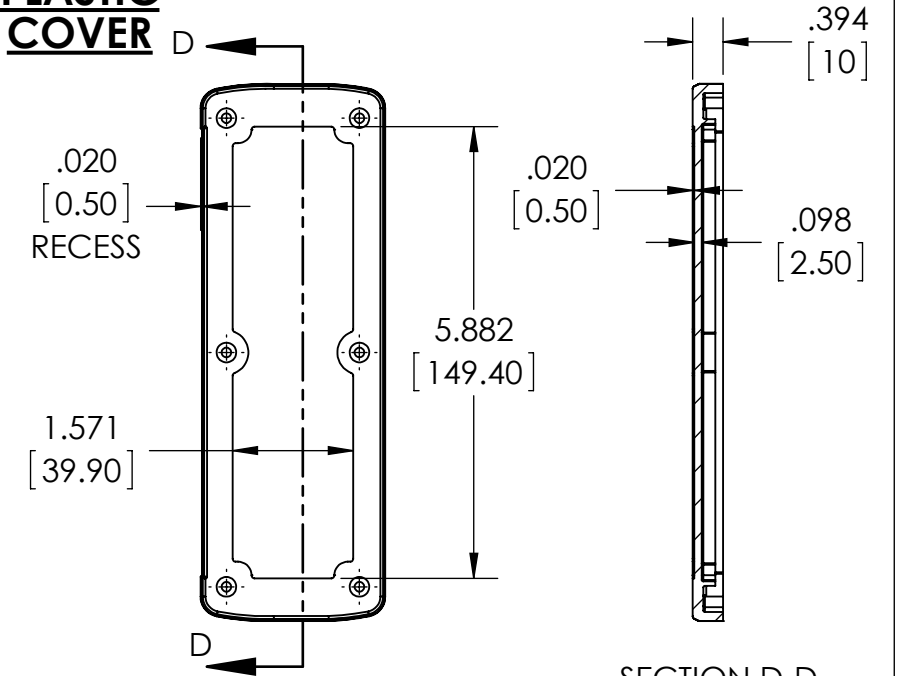
SLOTS FOR PCB #EXN-23410-PCB

SECTION A-A  
SCALE 1 : 2.5

DIMENSIONS MAY VARY DEPENDING ON THE COMPRESSION OF THE GASKETS

ISOMETRIC VIEW  
REFERENCE ONLY-  
(AL. COVER SHOWN)  
ACTUAL APPEARANCE  
MAY VARY**DIE CAST ALUMINUM COVER**

SECTION C-C

**PLASTIC COVER**

SECTION D-D