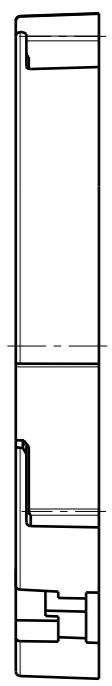
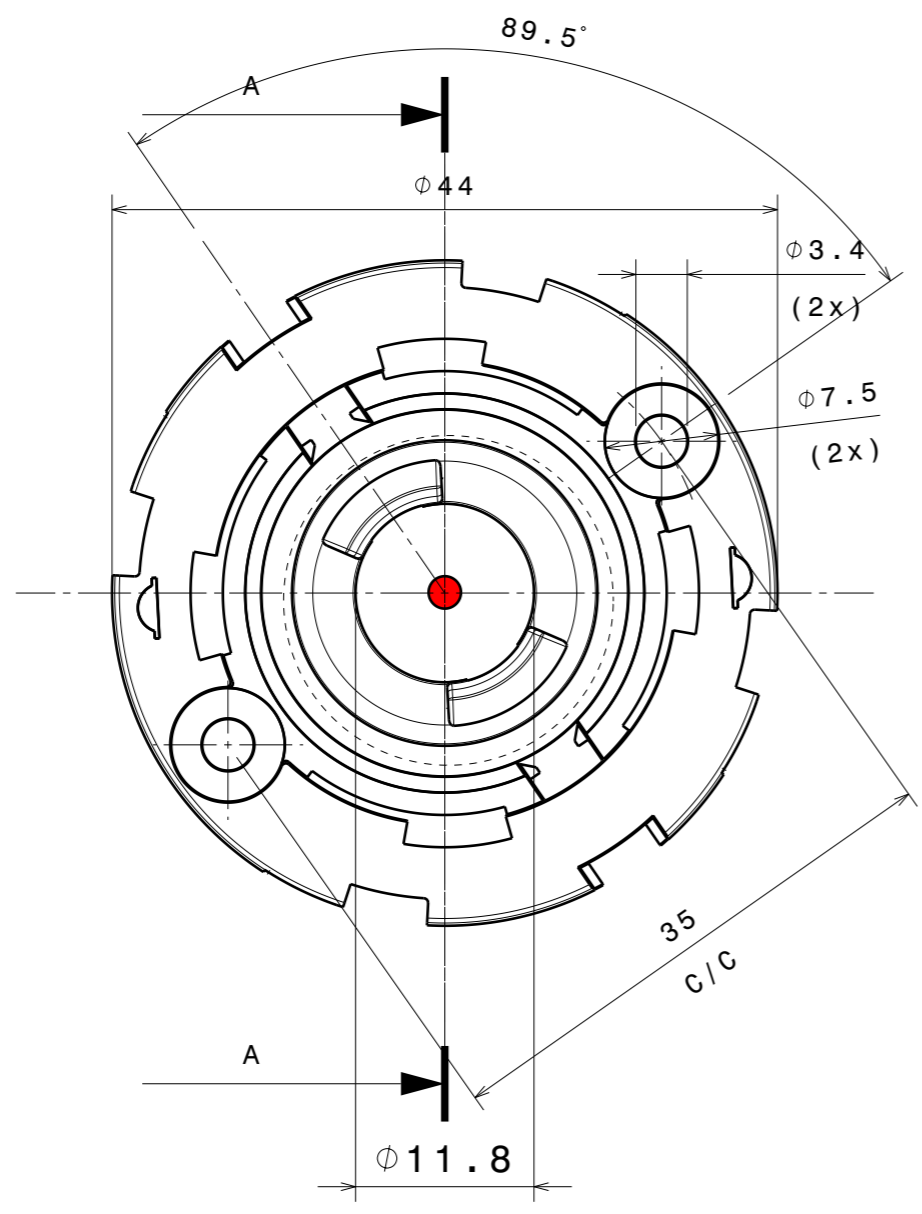
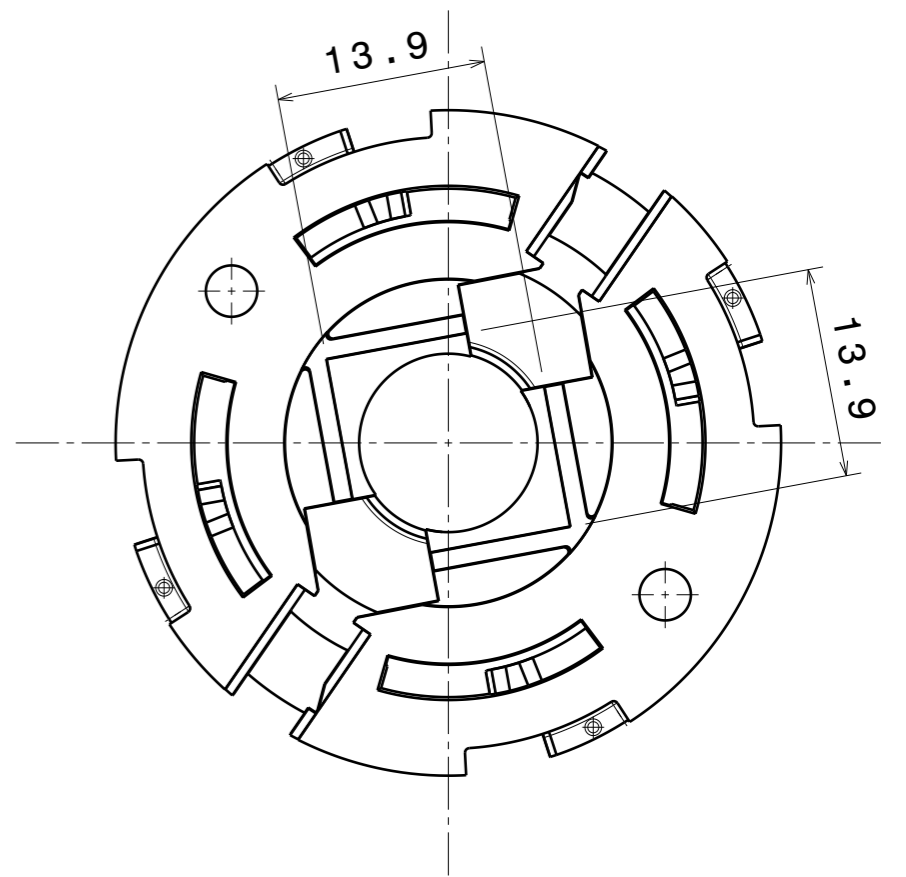
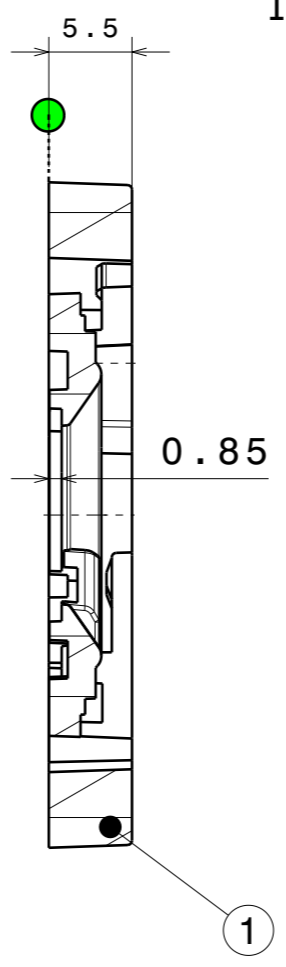


Isometric view (1:1)



COMPONENTS

INDEX	PRODUCT	TYPE	MATERIAL	COLOUR/COATING
1	F15255_SOCKET-C	SOCKET	PBT	WHITE

MECHANICAL DRAWING

PRODUCT
KONNTAKT-family



Tolerances if not otherwise shown
According to DIN ISO 2768-1
Linear measures:
Up to 30mm class M, otherwise class C.
According to DIN ISO 2768-2
Form and position: class L

FIRST ANGLE PROJECTION:

This drawing is the property of LEDiL Oy. It may not be reproduced, copied or communicated without a written agreement with LEDiL Oy.

SCALE	2:1 (1:1)	SIZE	A3	SHEET	1
-------	-----------	------	----	-------	---

Notes

	1	PCB or Heat Sink level
	2	Led location see marking.
	3	Ensure LED fitting, see our web site and/or 3D model for part detail.
	4	See installation details FP15501