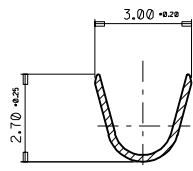
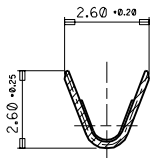


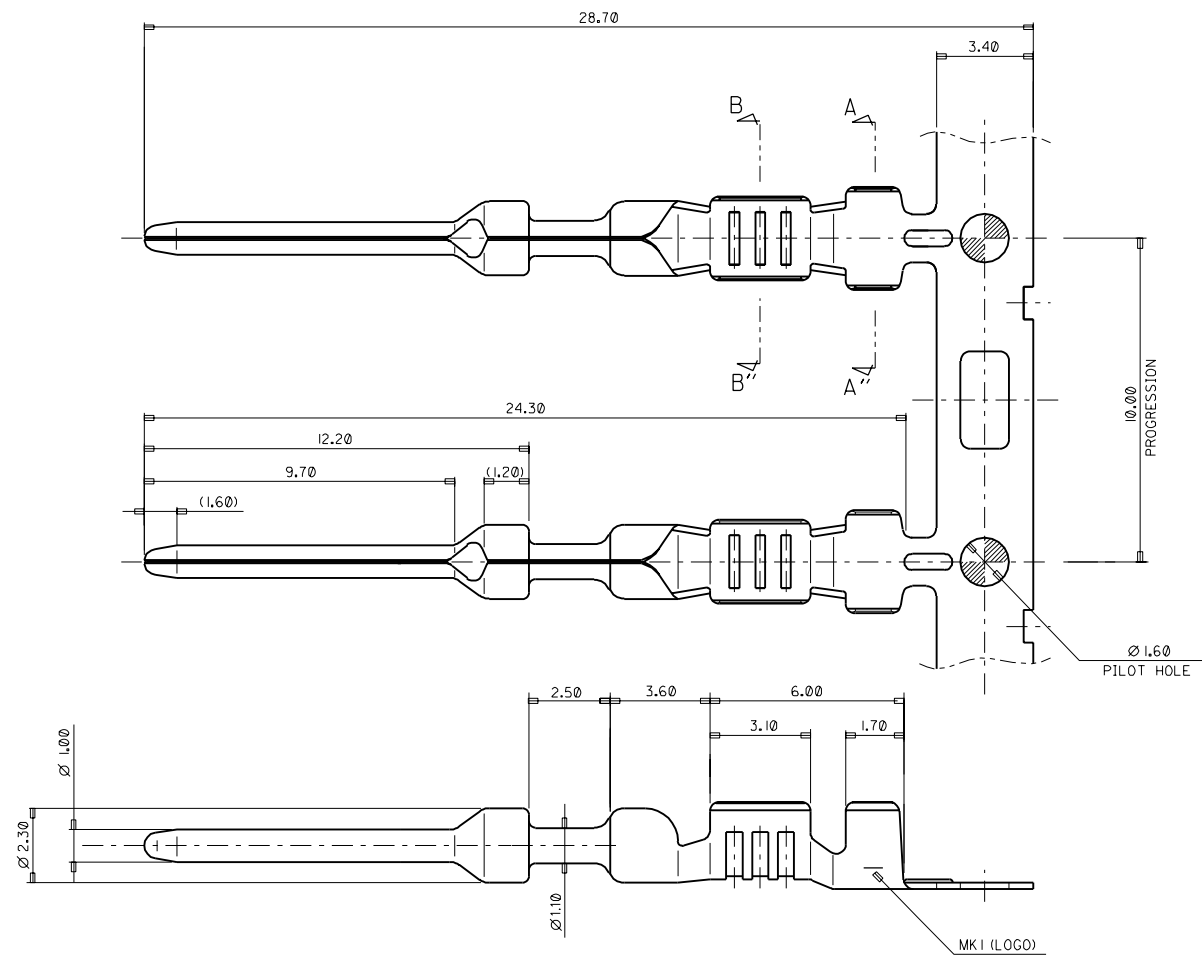
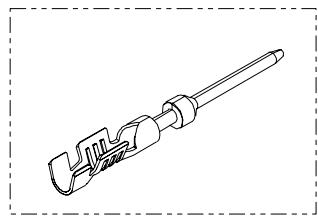
PROJECT NO. EDP NO. SIMILAR ITEM ENG. NO. SD 35100-9002



SECTION A-A''



SECTION B-B''



NOTE

1. MATERIAL: BRASS 0.25 mm THICKNESS.  
PRE-TIN PLATE
2. RECOMMENDED LENGTH OF WIRE STRIP: 4.0 ~ 4.6.
3. WIRE RANGE: AVSS(AVS), 0.3 ~ 0.85 mm<sup>2</sup>  
AWG, #22 ~ #8

		MATERIAL SEE NOTE		MOLEX-KOREA CO.,LTD.	
		GENERAL TOLERANCE		DRAWN BY B.C.YOON	
		DIMENSION : ± 0.3		CHK'D BY	
		ANGLE : 1°		APP'D BY	
		DIMENSION CLASSIFICATION		SCALE 10:1	
		▽ : CRITICAL		TITLE : CIRCULOCK MALE TER'L	
		○ : REFERENCE		SHEET 1/1	
CHANGED TITLE KOR997-0166 97.12.4 A NEW RELEASED 97.11.6		ASS'Y PART DESCRIPTION ENG. NO.		ENG. NO. SD 35100 - 9002 REV B	
LTR REVISION RECORD ECN DATE		REVISION RECORD ECN DATE		REV B	
REVISE ONLY ON CAD SYSTEM					