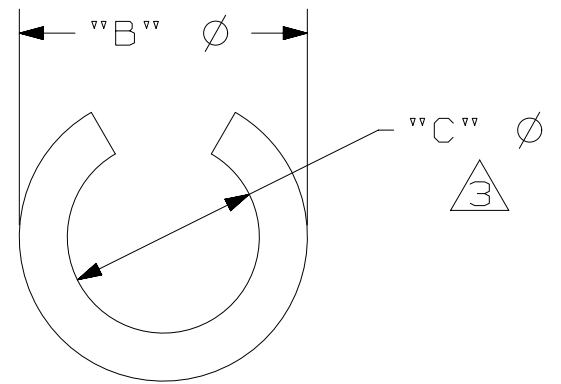
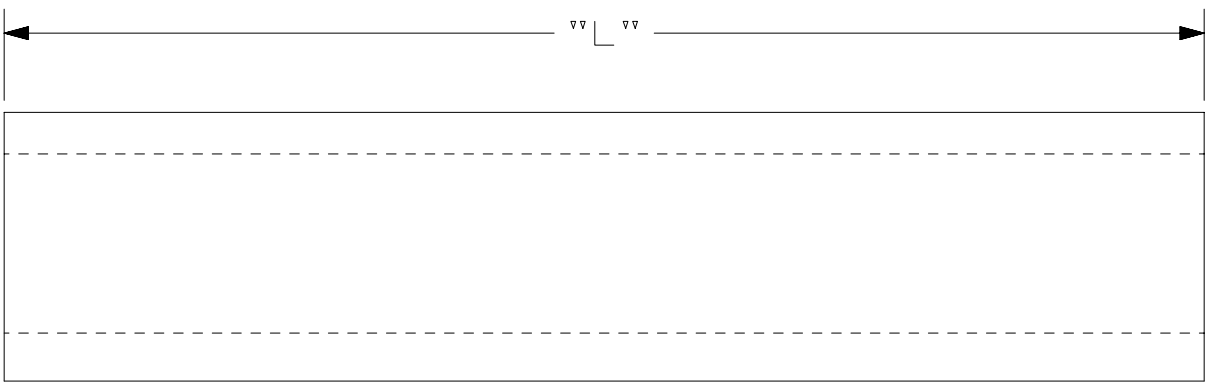
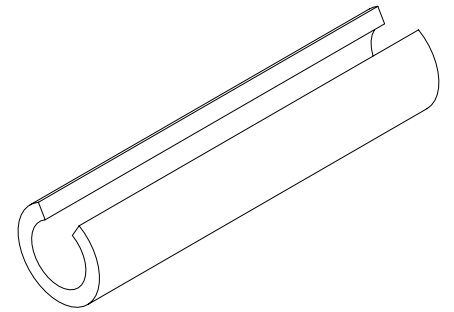


THIS COPY IS PROVIDED ON A RESTRICTED BASIS AND IS NOT TO BE USED IN ANY WAY DETRIMENTAL TO THE INTERESTS OF PANDUIT CORP.

Panduit Part Number	Color	CABLE SIZE	Dimension		
			"B" DIA.	"C" INSIDE DIA.	"L"
NWSLC-2Y	YELLOW	2 mm SIMPLEX FIBER OPTIC	0.28 [7.11]	0.093 [2.36]	1.25 [31.75]
NWSLC-3Y	ORANGE	3 mm SIMPLEX FIBER OPTIC	0.30 [7.62]	0.125 [3.175]	
NWSLC-7Y	WHITE	3 mm DUPLEX FIBER OPTIC	0.39 [9.91]	0.270 [6.86]	
NWSLC-2Y-AQ	AQUA	2 mm SIMPLEX FIBER OPTIC	0.28 [7.11]	0.087 [2.21]	2.25 [57.15]
NWSLC2-2Y	YELLOW	2 mm SIMPLEX 10 GIG FIBER OPTIC	0.28 [7.11]	0.093 [2.36]	
NWSLC2-3Y	ORANGE	3 mm SIMPLEX FIBER OPTIC	0.30 [7.62]	0.125 [3.175]	
NWSLC2-7Y	WHITE	3 mm DUPLEX FIBER OPTIC	0.39 [9.91]	0.270 [6.86]	
NWSLC2-2Y-AQ	AQUA	2 mm SIMPLEX 10 GIG FIBER OPTIC	0.28 [7.11]	0.087 [2.21]	



REV	DATE	BY	CHK	APR	DESCRIPTION	ECN
3	4/20/16	RVU	SEWH	JHAC	ADD NEW "C" INSIDE DIAMETER COLUMN for DIMENSION "C".	GAECN03460
2	9/9/11	RVU			Add NWSLC2-2Y, NWSLC2-3Y, NWSLC2-7Y, AND NWSLC2-2Y-AQ. ADD NWSLC-2Y-AQ.	6508
1	11/2/10	RVU			ADD "Y" TO PART NUMBERS. USE "B" INSTEAD OF "A" SIMILAR TO CONTROL DWG.	6217
0	9/23/03	RVU			DRAWING RELEASE.	3420

TITLE <b>NWSLC-*Y &amp; NWSLC2-*Y LABEL CORE</b>						
CUSTOMER DRAWING						
ITEM REVISION NAME 100619QY/03				<b>PANDUIT</b>		
DATASET FILE NAME 100619QY_DC_C10098/03D						
UNLESS OTHERWISE SPECIFIED, DIMENSIONAL TOLERANCES ARE: IN [ mm ]						MATERIAL: <b>FLEXIBLE PVC</b>
.X ±		.XXX ±		THIRD ANGLE PROJECTION		
.XX ±		ANGLES ±		DRAWING NUMBER: C10098		
DRAWN BY RVU	DATE 9/23/03	CHK JHAC	SCALE NTS	SHT 1 OF 1		SIZE A