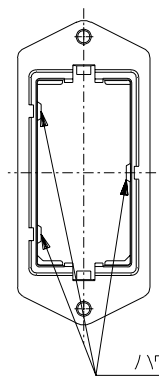
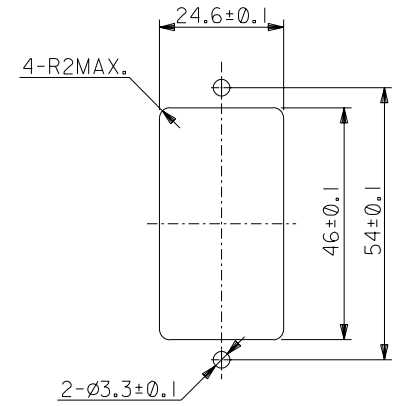
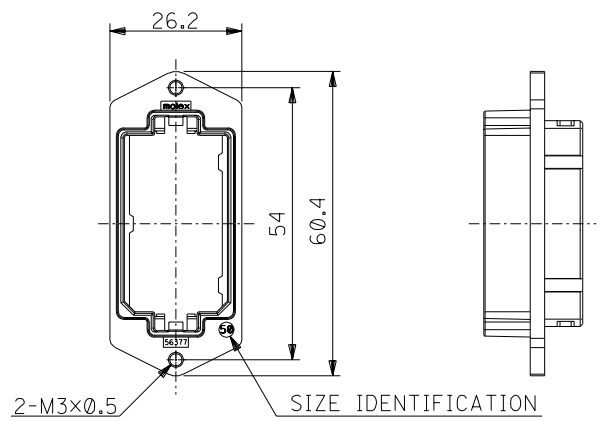
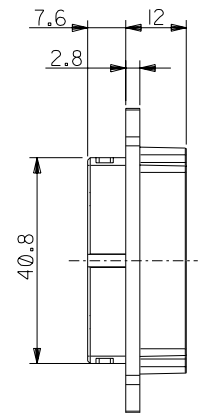


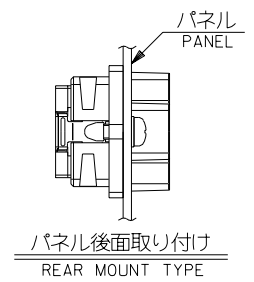
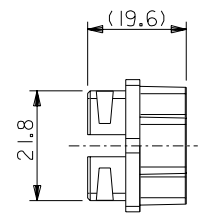
DWG. NO.
SD-56377-016



ハウジング挿入方向キー
POLARIZATIONS KEY FOR HOUSING



推奨パネル切り取り寸法 (後面取り付け)
RECOMMENDED PANEL OPENING (REAR MOUNTING)



注記
NOTES

1. 材質
MATERIAL
亜鉛合金, ニッケルメッキ
ZINC ALLOY, NI PLATING
2. 適用ハウジングアッセンブリ: 51233-501* (PIN HS'G ASS'Y)
51238-501* (SOCKET HS'G ASS'Y)
APPLICABLE HOUSING ASS'Y: 51233-501* (PIN HS'G ASS'Y)
51238-501* (SOCKET HS'G ASS'Y)
3. 推奨ねじ締め付けトルク: 5~6 kgf・cm
RECOMMENDED SCREW TIGHTENING TORQUE: 5~6 kgf・cm

56377-5001	56377-****
MATERIAL NO.	MODEL NO.

DO NOT SCALE DRAWING

EC NO. DRWN: CHK: APPR:	EC NO. DRWN: CHK: APPR:	EC NO. DRWN: CHK: APPR:	REVISED '02/06/03 EC NO. J2002-3016 DRWN: S.AKIYAMA CHK: J.MIYAZAWA APPR: YO.IITO	RELEASED '02/02/04 EC NO. J2002-1828 DRWN: S.AKIYAMA CHK: J.MIYAZAWA APPR: YO.IITO	DESCRIPTION
			A	0	

MATERIAL 材料	注記参照 SEE NOTES
FINISH 仕上げ	#
WIRE RANGE 適用電線範囲	#
INS. RANGE 被覆外径	#

GENERAL TOLERANCES: (UNLESS SPECIFIED) 一般公差	SCALE	DESIGN UNITS
10 UNDER 未満	1:1	mm
10 OVER 30 UNDER 以上 未満		mm
30 OVER 以上		mm
ANGLE 角度		°

DRAWN BY & DATE S. Akiyama '02/01/22	TITLE:
CHECKED BY & DATE Y. Itou '02/02/04	COMPACT ROBOT CONN. 50CKT. RECEPTACLE SHELL
APPROVED BY & DATE Y. Itou '02/02/04	MOLEX MOLEX INCORPORATED
CAD FILENAME 56377016.S01	MATERIAL NO. SEE CHART

DIMENSIONS:	SHT	REV
mm		
INCH		
mm ONLY		
THIRD ANGLE PROJECTION	REVISE ON CAD ONLY	
MATERIAL NO. SD-56377-016		
DRAWING NO. SD-56377-016		
SHEET NO. 1 OF 1		

THIS DRAWING CONTAINS INFORMATION THAT IS PROPRIETARY TO MOLEX INCORPORATED AND SHOULD NOT BE USED WITHOUT WRITTEN PERMISSION.