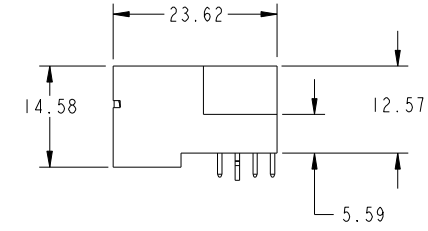
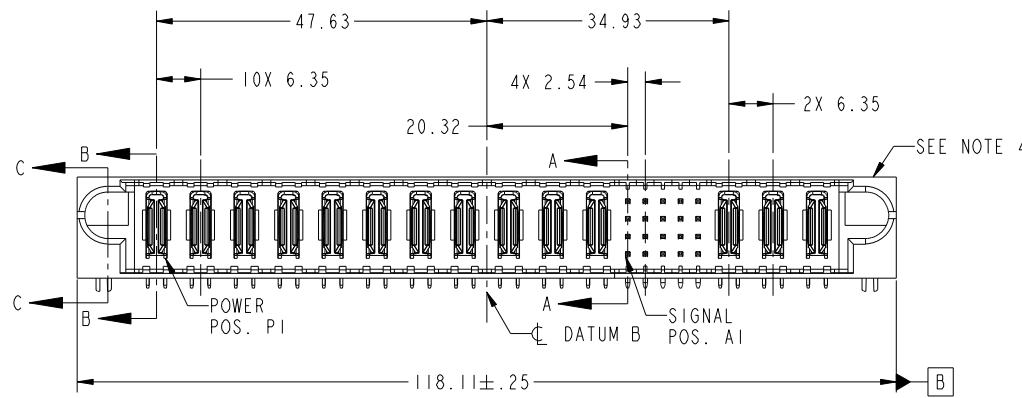
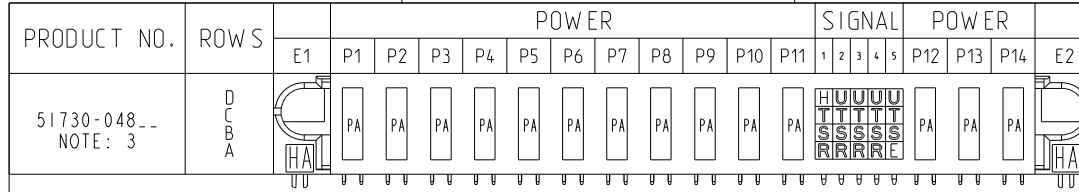


Tous droits strictement réservés. Reproduction ou communication a des tiers interdite sous quelque forme que ce soit sans autorisation écrite du propriétaire. Propriété de c FCI. Droits de reproduction FCI.



All rights strictly reserved. Reproduction or issue to third parties in any form whatever is not permitted without written authority from the proprietor. Property of FCI. Copyright FCI.



CODE	DIM "M" MATING LENGTH	CONTACT TYPE
PA	[N/A]	POWER
HA	[N/A]	HOLD-DOWN
H	[5.59]	SIGNAL
T	[6.86]	SIGNAL
S	[6.86]	SIGNAL
R	[6.86]	SIGNAL
U	[6.86]	SIGNAL
E	[5.59]	SIGNAL

mat'l code				SEE NOTE		tolerances unless otherwise specified		CUSTOMER	
ltr	ecn no.	dr	date	linear	0.X ± 0.5	COPY		projection	
A	V20994	DAI	06/05/02		0.XX ± 0.25	MIM		title	
B	V21034	DAI	06/11/02		0.XXX ± 0.10	1:1		3P + 20S + 11P	
C	DG05-0389	GuoJM	10/17/05	angles	0° ± 2°	scale		RIGHT ANGLE SOLDER HEADER	
D	DG07-0498	JW	09/15/08	dr	D. INGRAM 06/05/02	product family		PwrBlade code	
				enr	M.MOSTOLLER 06/05/02	size		213	
				chr	M.MOSTOLLER 06/05/02	dwg no		51730-048	
				appd	M.MOSTOLLER 06/05/02	A		sheet	
sheet index	revision sheet	D 1	D 2	D 3	D 4	scale		1 of 4	

FCI www.fciconnect.com

product family PwrBlade code 213

size dwg no 51730-048 sheet 1 of 4

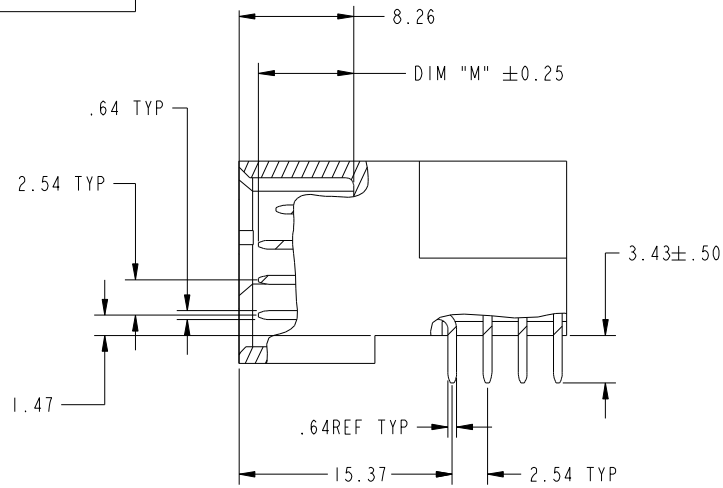
cage code 22526

Tous droits strictement reserves. Reproduction ou communication a des tiers interdite sous quelque forme que ce soit sans autorisation écrite du propriétaire. Propriete de c FCI. Droits de reproduction FCI.

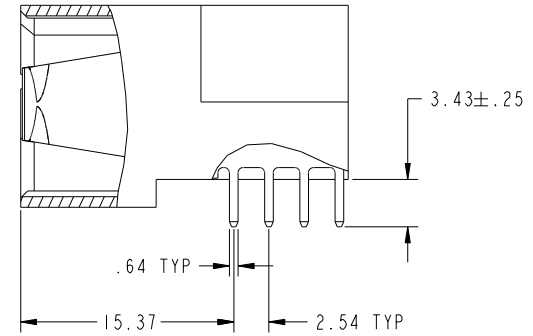


All rights strictly reserved. Reproduction or issue to third parties in any form whatever is not permitted without written authority from the proprietor. Property of FCI. Copyright FCI.

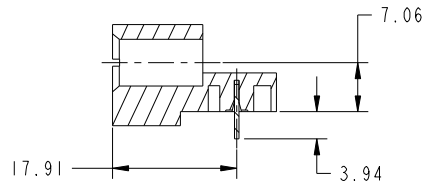
PRODUCT NUMBER
51730-048--
NOTE: 3



BROKEN-OUT SECTION A-A
SCALE 2:1



BROKEN-OUT SECTION B-B
SCALE 2:1



SECTION C-C

mat'l code		SEE NOTE		tolerances unless otherwise specified		CUSTOMER		FCI www.fciconnect.com	
ltr	ecn no.	dr	date	linear	0.X ±0.5	COPY		title	
D					0.XX ±0.25	projection		3P + 20S + 11P RIGHT ANGLE SOLDER HEADER	
				angles	0.XXX ±0.10			product family PwrBlade code 213	
				dr	0° ±2°			size dwg no 213	
				enrg	D. INGRAM 06/05/02	scale		sheet 2	
				chr	M.MOSTOLLER 06/05/02	1:1		51730-048	
				appd	M.MOSTOLLER 06/05/02				
sheet index	revision sheet								

cage code 22526

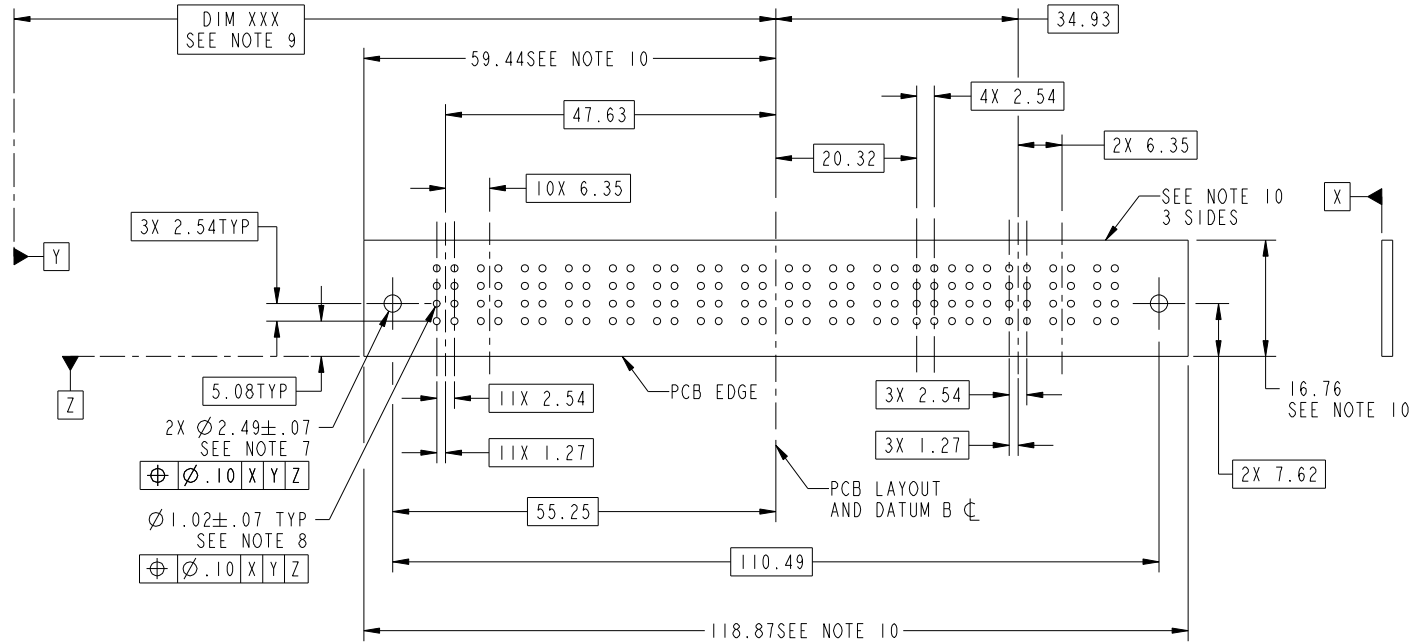
Pro/E

Tous droits strictement reserves. Reproduction ou communication a des tiers interdite sous quelque forme que ce soit sans autorisation écrite du propriétaire. Propriete de c FCI. Droits de reproduction FCI.



All rights strictly reserved. Reproduction or issue to third parties in any form whatever is not permitted without written authority from the proprietor. Property of FCI. Copyright FCI.

PRODUCT NUMBER
51730-048--
NOTE: 3



RECOMMENDED PCB LAYOUT

mat'l code		SEE NOTE		tolerances unless otherwise specified		CUSTOMER		FCI www.fciconnect.com	
ltr	ecn no.	dr	date	linear	0.X ± 0.5	COPY		title	
D					0.XX ± 0.25	projection		3P + 20S + 11P RIGHT ANGLE SOLDER HEADER	
				angles	0.XXX ± 0.10	MIM		product family PwrBlade code	
				dr	0° ± 2°	scale		size	
				enrg	D. INGRAM 06/05/02	1:1		dwg no	
				chr	M. MOSTOLLER 06/05/02			51730-048	
				appd	M. MOSTOLLER 06/05/02			sheet	
sheet index		revision sheet						3	
								cage code	
								22526	

Pro/E

cage code 22526

Tous droits strictement reserves. Reproduction ou communication a des tiers interdite sous quelque forme que ce soit sans autorisation écrite du propriétaire. Propriete de c FCI. Droits de reproduction FCI.



All rights strictly reserved. Reproduction or issue to third parties in any form whatever is not permitted without written authority from the proprietor. Property of FCI. Copyright FCI.

PRODUCT NUMBER
51730-048--
NOTE: 3

NOTES:

1. DIMENSIONS AND TOLERANCES ARE IN ACCORDANCE WITH ASME Y14.5M, 1994 UNLESS OTHERWISE SPECIFIED.

CONNECTOR NOTES:

2. HOUSING MATERIAL: UL 94 V-0 GLASS FILLED
HIGH-TEMP THERMOPLASTIC
POWER CONTACT MATERIAL: COPPER ALLOY
SIGNAL PIN MATERIAL: COPPER ALLOY

3. PLATING:
SEE ITEM 1 & 2 IN PRINT 10064183 FOR PLATING SPEC OF 51730-048; 51730-048LF PRESPECTIVELY

4. MANUFACTURER'S NAME, P/N, AND DATE CODE TO APPEAR ON THIS SURFACE.

5. PRODUCT SPECIFICATION GS-12-149.
APPLICATION SPECIFICATION BUS-20-067.

PCB NOTES:

6. ALL HOLE DIAMETERS ARE FINISHED HOLE SIZE.

7. MOUNTING HOLES, WHERE APPLICABLE, ARE UNPLATED.

8. $\varnothing 1.151 \pm 0.025$ DRILLED HOLES PLATED WITH
0.008 MIN SnPb OR Sn OVER 0.03
TO 0.08 Cu PLATING TO ACHIEVE
 $\varnothing 1.02 \pm .07$ HOLE.

9. "DIM XXX" TO BE DETERMINED BY THE CUSTOMER.

10. CONNECTOR KEEP-OUT ZONE.

11. A \triangle SYMBOL WILL BE NEXT TO ANY DIMENSION, VIEW, OR NOTE WHICH HAS BEEN MODIFIED WITH THE CURRENT DRAWING REVISION.

mat'l code				SEE NOTE		tolerances unless otherwise specified		CUSTOMER		FCI www.fciconnect.com	
ltr	ecr no.	dr	date	linear	0.X ± 0.5		COPY		projection 	title 3P + 20S + 11P RIGHT ANGLE SOLDER HEADER	
D					0.XX ± 0.25						
					0.XXX ± 0.10						
				angles	0° + 2°		MIM 		product family PwrBlade code 213		
					dr	D. INGRAM	06/05/02	scale		size	dwg no
				enr	M.MOSTOLLER	06/05/02	1:1		A	51730-048	
				chr	M.MOSTOLLER	06/05/02				sheet 4	
				appd	M.MOSTOLLER	06/05/02					
sheet index	revision sheet										

cage code 22526

Pro/E