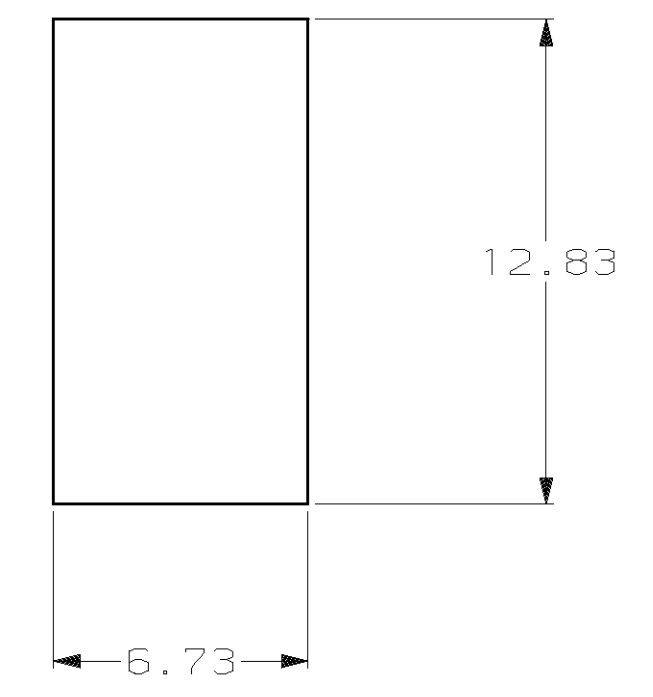
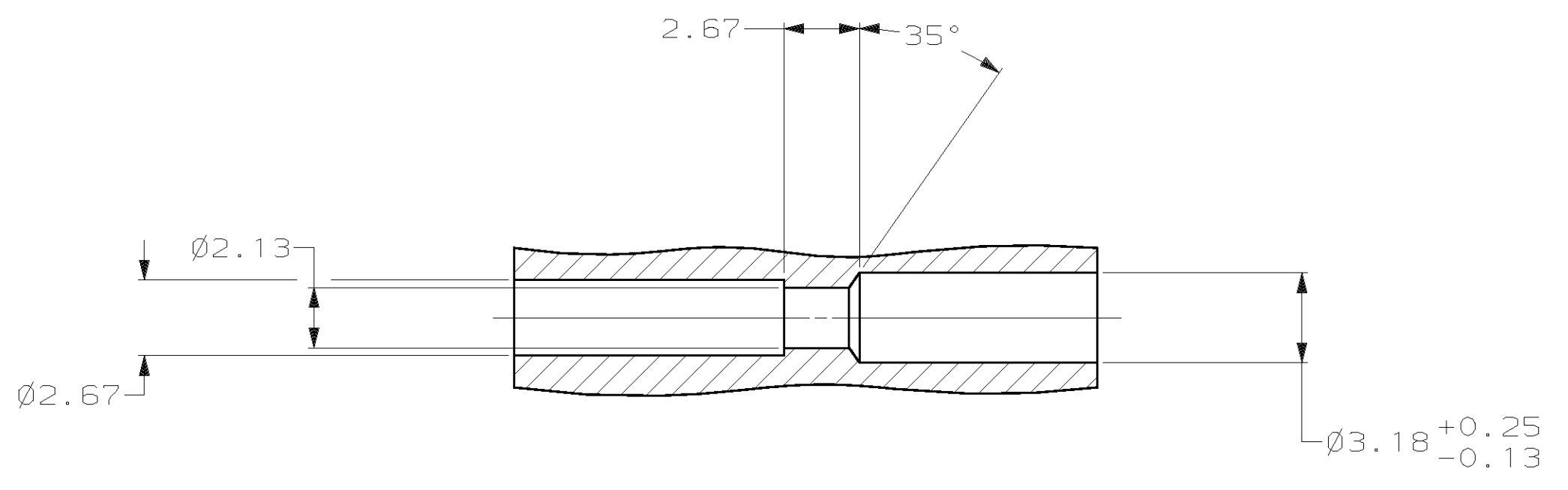
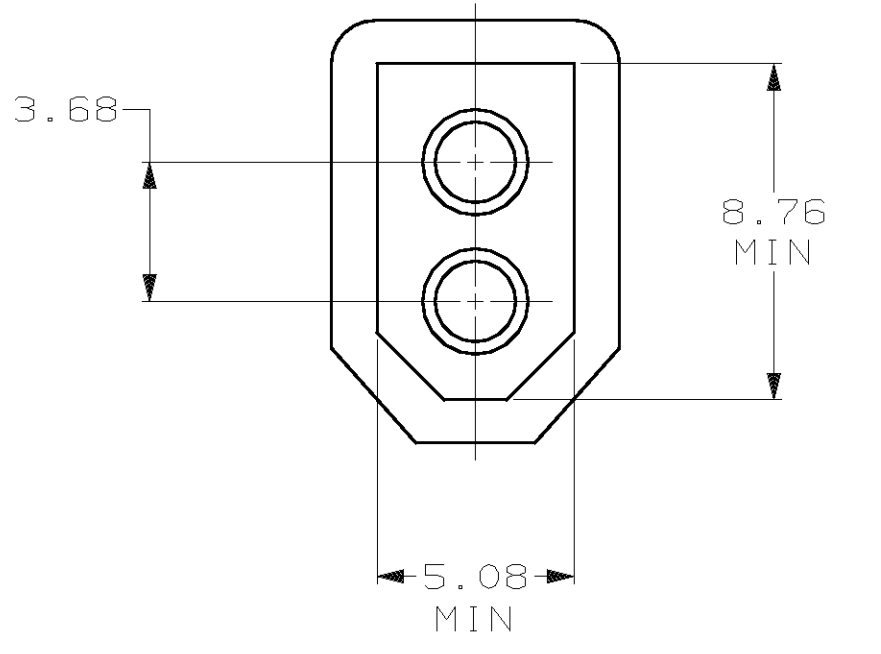
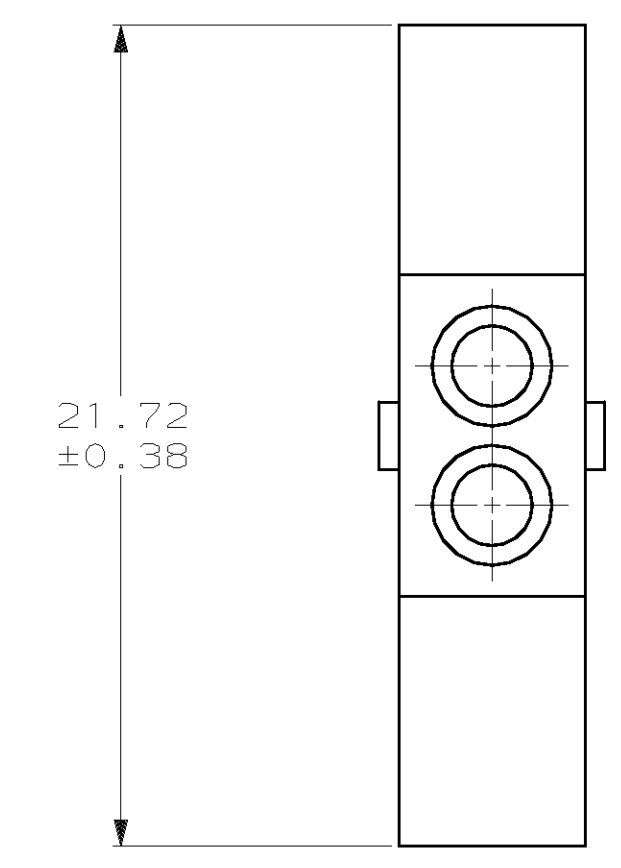
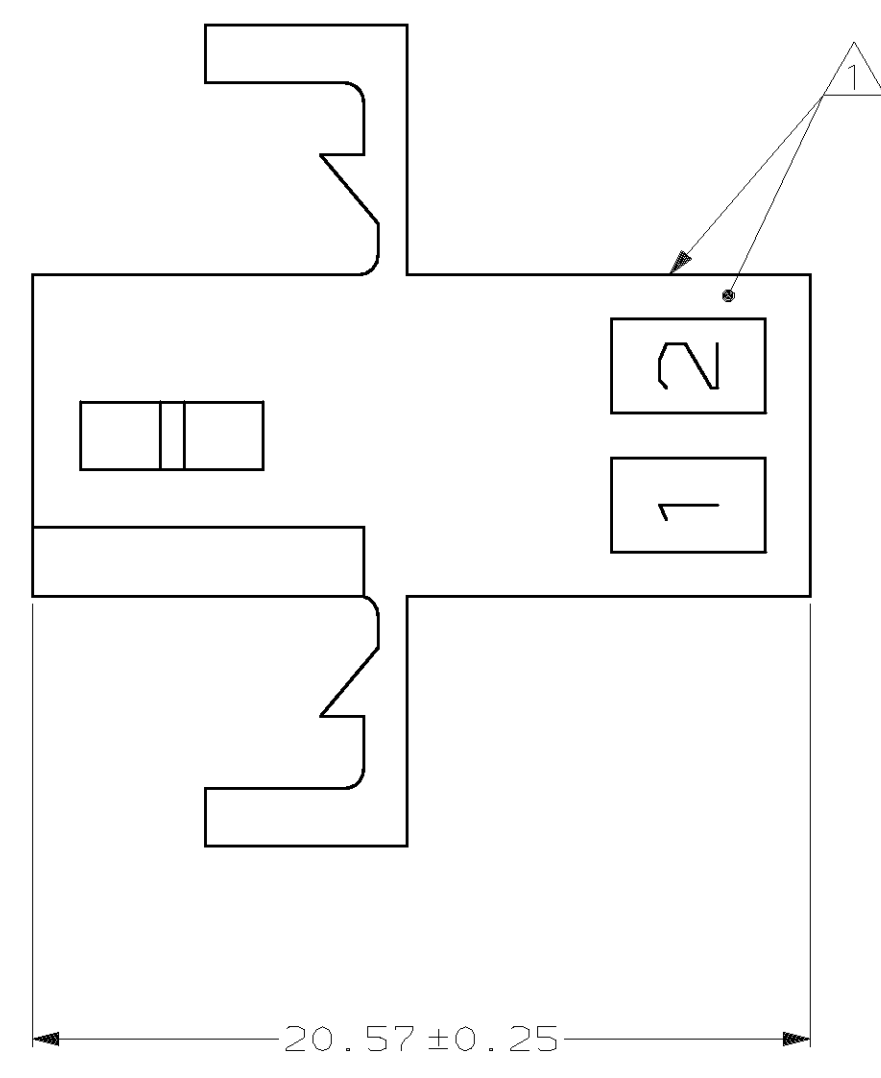
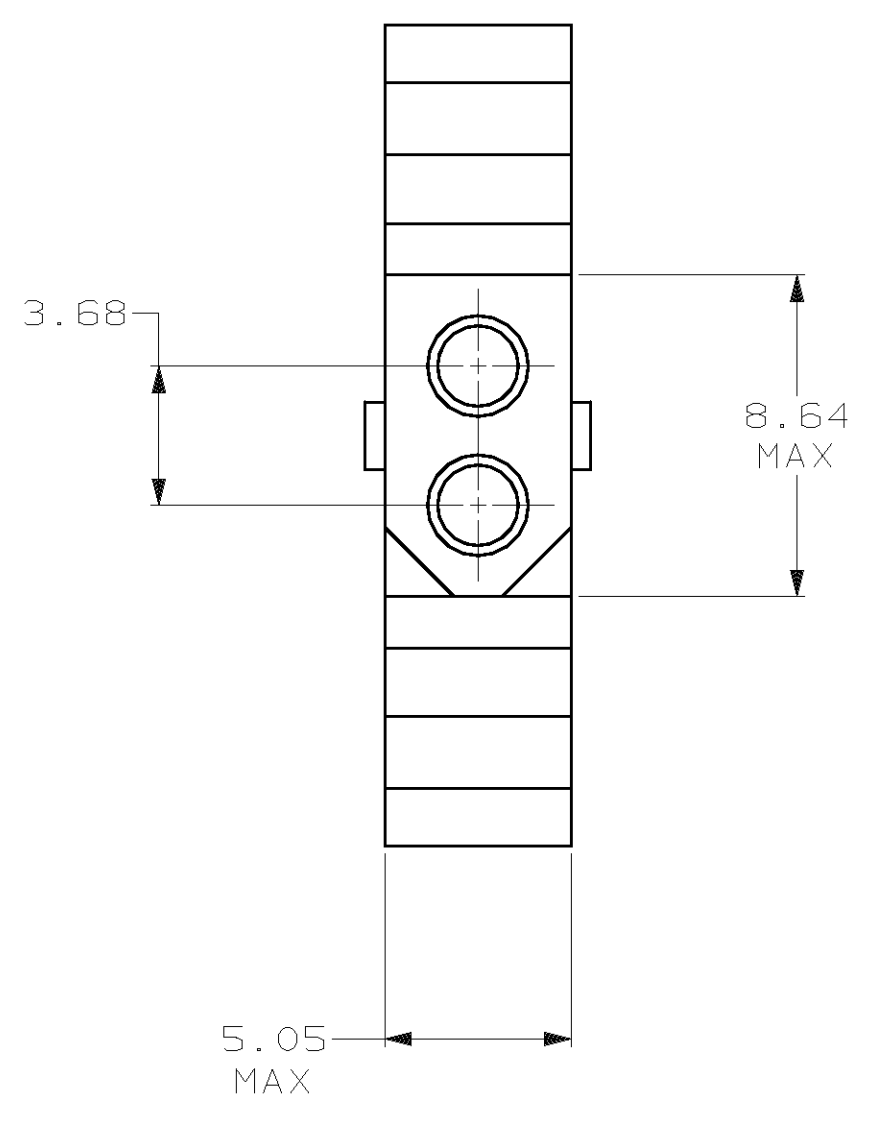


LOC		DIST		P		F		ZONE		LTR		REVISIONS		DATE	APPD	
CM	53												6	REV PER EC OL30-0035-97	3-7-97	JH RS

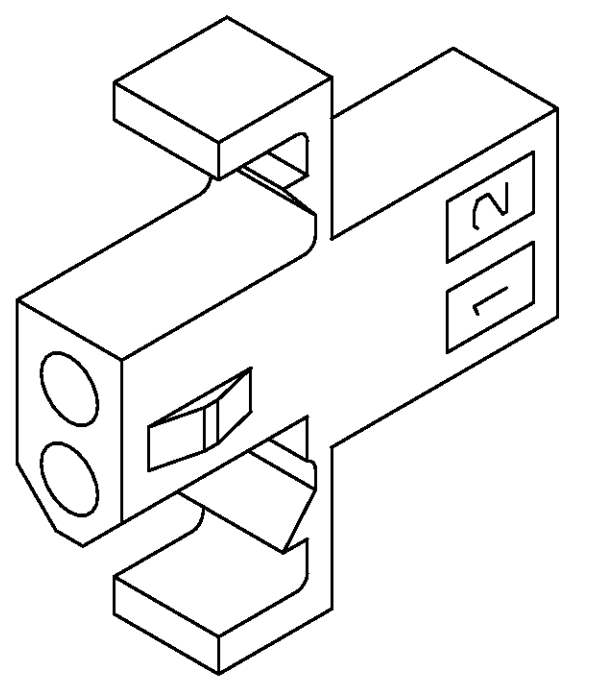
AMP LOGO AND CAVITY NUMBER LOCATED ON EITHER SURFACE.



MATING CONNECTOR INTERFACE

TYPICAL RECEPTACLE CAVITY SECTION (DIMENSIONS REFERENCE ONLY)

RECOMMENDED CUT OUT FOR 1.52 MAX THICK PANEL



3-DIMENSIONAL MODEL NTS

MM	IN	MM	IN	MM	IN
2.13	.084	6.73	.265	-	-
1.57	.062	5.08	.200	21.72	.855
1.52	.060	5.05	.199	20.57	.810
0.38	.015	3.68	.145	12.83	.505
0.25	.010	3.18	.125	8.76	.345
0.13	.005	2.67	.105	8.64	.340
MM	IN	MM	IN	MM	IN

CONVERSION TABLE

METRIC

THIS DRAWING IS A CONTROLLED DOCUMENT FOR AMP INCORPORATED. IT IS SUBJECT TO CHANGE AND THE CONTROLLING ENGINEERING ORGANIZATION SHOULD BE CONTACTED FOR THE LATEST REVISION.

DO NOT SCALE PRINT. UNLESS SPECIFIED DIMENSIONS IN mm (INCHES)		DR 11-4-93 K. WHITAKER		770343-1 PART NO	
TOLERANCES ON:		CHK 11-4-93 R. SWING		AMP AMP Incorporated Harrisburg, PA 17105-3608	
2 PLC DEC ± 0.13		APPD 11-4-93 C. CASH		NAME	
3 PLC DEC ± -		APPD 11-4-93 C. CASH		RECEPTACLE, PANEL MOUNT, 2 CIRCUIT, .062 PIN AND SOCKET	
ANGLES ± 1°0'		APPD 11-4-93 C. CASH		SIZE	
MATERIAL		PRODUCT SPEC		CAGE CODE	
NYLON, UL 94V-2 NATURAL		-		DRAWING NO	
FINISH		APPLICATION SPEC		D 00779 C-770343	
-		-		SCALE	
WEIGHT		-		5:1	
				SHEET 1 OF 1	