

MODELS:

SR45UBND / SR45UBEXPND

SmartRack® Premium Rack Enclosure



45 Rack Units



3000 lb.
Stationary
Load Capacity



2250 lb.
Rolling
Load Capacity



Heavy-Duty
Casters



Locking Side
Panels



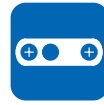
EIA
310-E
Standard 19-inch
Rack Width



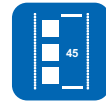
Toolless
Mounting Slots



Adjustable
Rails with
Easy-View
Depth Index



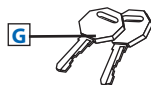
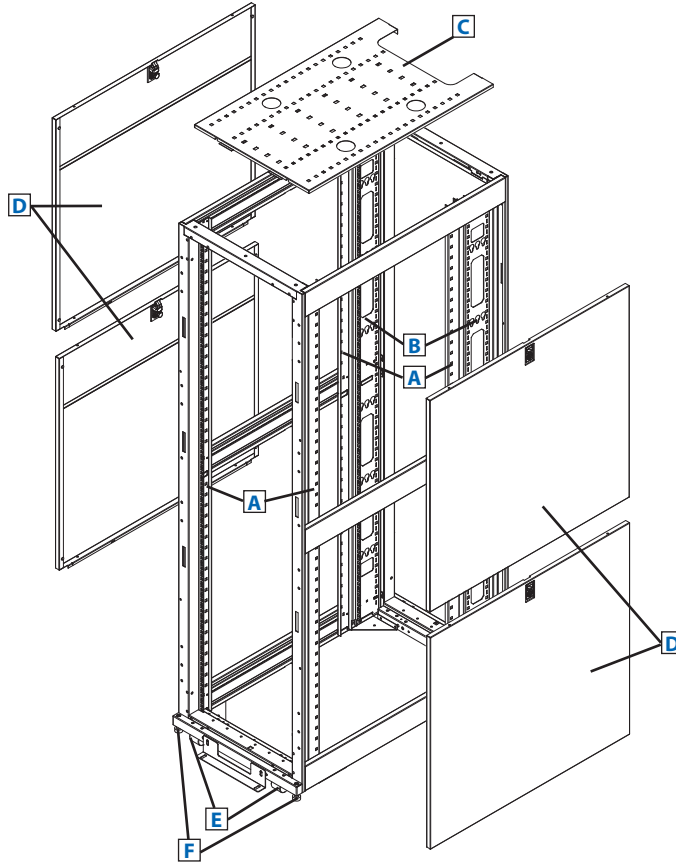
Integrated
Baying Tabs



Square Hole
Mounting

- A** Adjustable Mounting Rails (4)
- B** Adjustable PDU Mounting Rails with Toolless Mounting Slots (2 rails hold up to 4 vertical PDUs.)
- C** Roof Panel (Removable)
- D** Side Panels (4)
(Lockable/Removable; not included with SR45UBEXPND.)
- E** Rolling Casters (4)
- F** Levelers (4)
- G** Keys
(For side panels.)

Also Includes: Owner's manual,
2 shipping/stabilizing brackets and rackmount
equipment mounting hardware (50 cage nuts,
50 mounting screws, 50 nylon cup washers).



Specifications

Model	SR45UBND
Rack Spaces	45U
Stationary Load Capacity	3000 lb. (1361 kg)
Rolling Load Capacity	2250 lb. (1021 kg)
Unit Dimensions (H x W x D)	83.75 x 23.63 x 43 in. (2127 x 600 x 1092 mm)
Shipping Dimensions (H x W x D)	90.25 x 26 x 45 in. (2292 x 660 x 1143 mm)
Unit Weight	230 lb. (104.3 kg)
Shipping Weight	280 lb. (127 kg)
Certifications	EIA-310-E, IEC 60297-3-100, UL 60950, RoHS, NOM
Model	SR45UBEXPND (Without side panels.)
Unit Weight	147 lb. (66.7 kg)
Shipping Weight	197 lb. (89.4 kg)

Tripp Lite has a policy of continuous improvement. Specifications are subject to change without notice.



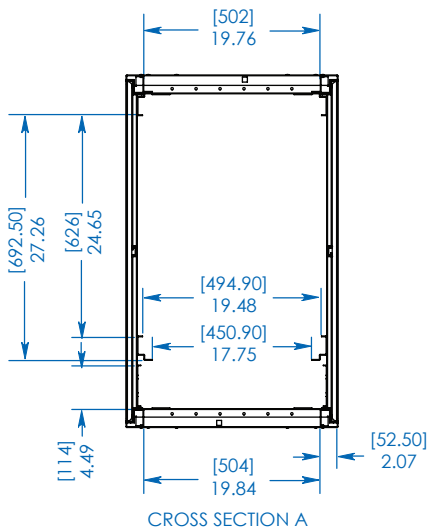
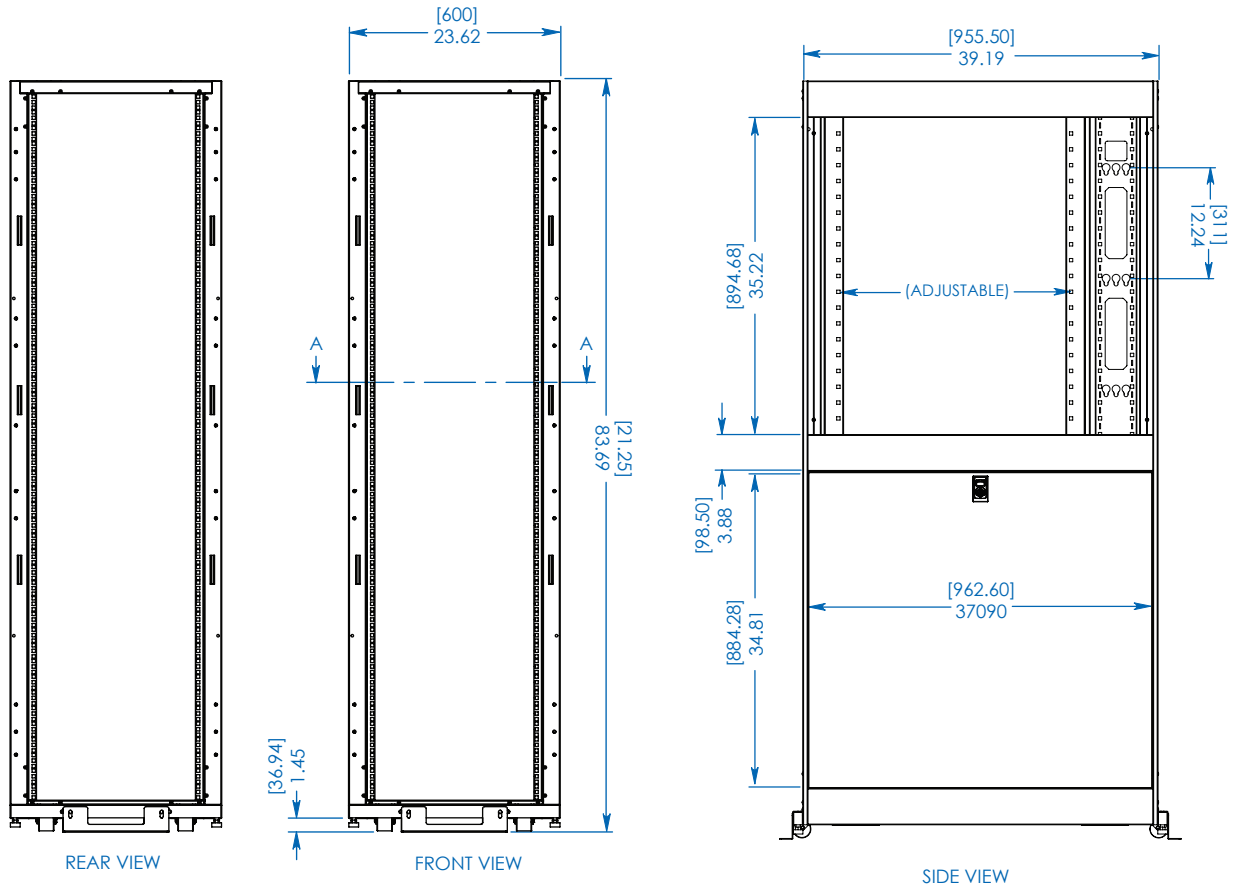
- Enclosures ship fully assembled for rapid deployment, but can be knocked down for easy reassembly in confined spaces
- Modular design optimized for quick configuration and reconfiguration
- Ideal for rackmount server, network and telecom applications

SEE NEXT PAGE FOR DETAILED UNIT MEASUREMENTS



1111 W. 35th Street
Chicago, IL 60609 USA
773.869.1234
www.tripplite.com

Also Available: Shock pallet models with special packaging to facilitate equipment pre-installation and reshipment to final site. Heavy-duty shock pallet holds up to 1250 lb. (568 kg), including the weight of the enclosure and pre-installed equipment. Add "SP1" to model numbers above to order shock pallet models.

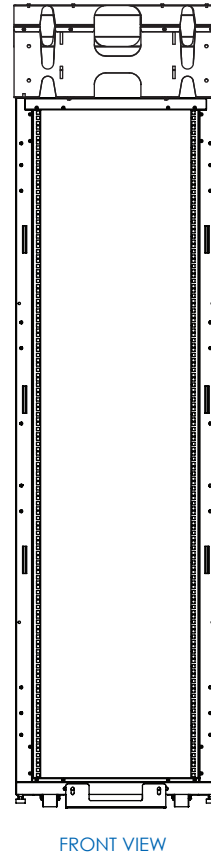
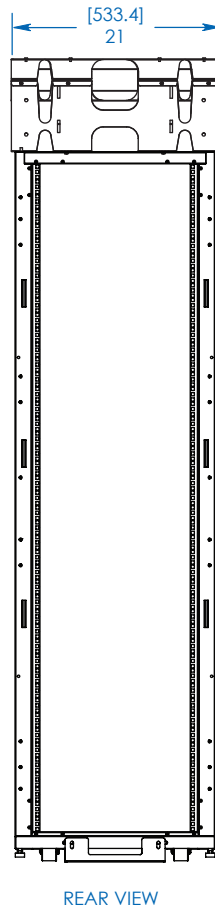
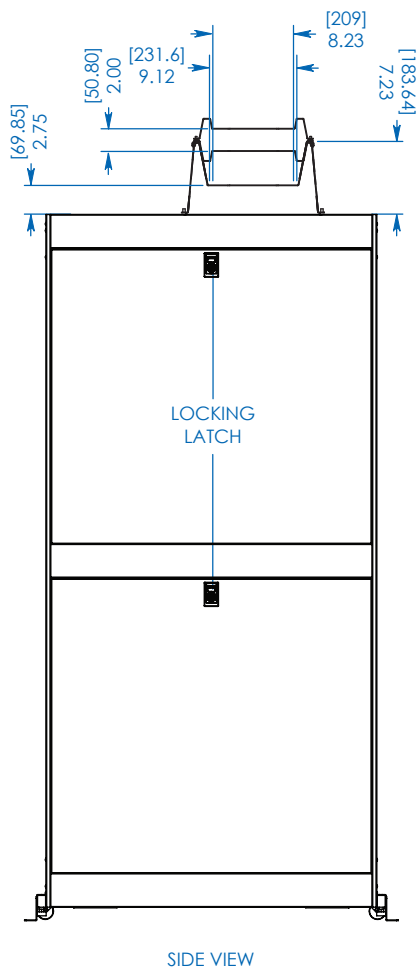
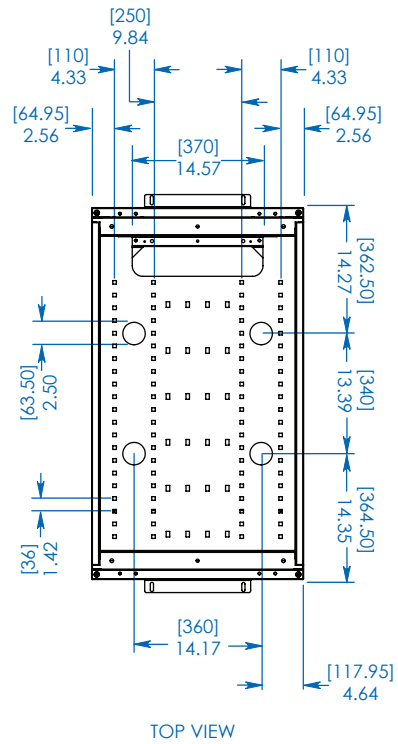
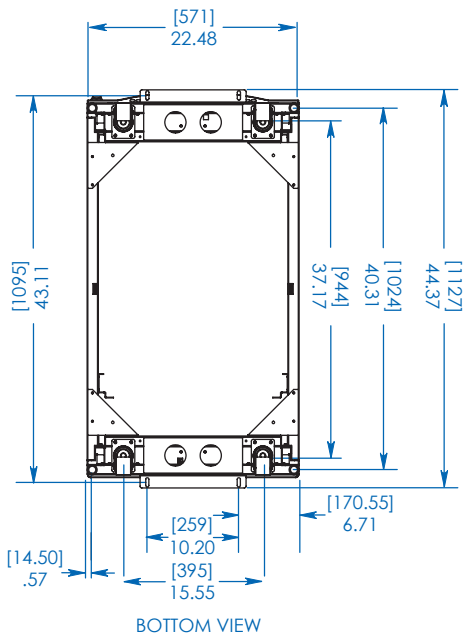


Dimensions: [mm] INCHES

Tripp Lite has a policy of continuous improvement. Specifications are subject to change without notice.

MODELS:
SR45UBND
SR45UBEXPND

TRIPP-LITE



OPTIONAL SRCABLETRAY AND SRCABLETRAYEXP CABLE MANAGEMENT ACCESSORIES SHOWN (MOUNTING POSITION ADJUSTS TO ACCOMMODATE A WIDE RANGE OF APPLICATIONS)

MODELS:
SR45UBND
SR45UBEXPND



1111 W. 35th Street
Chicago, IL 60609 USA
773.869.1234
www.tripplite.com

Dimensions: [mm] INCHES

Tripp Lite has a policy of continuous improvement. Specifications are subject to change without notice.