

Customer Information Sheet

DRAWING No.: M80-2270000B

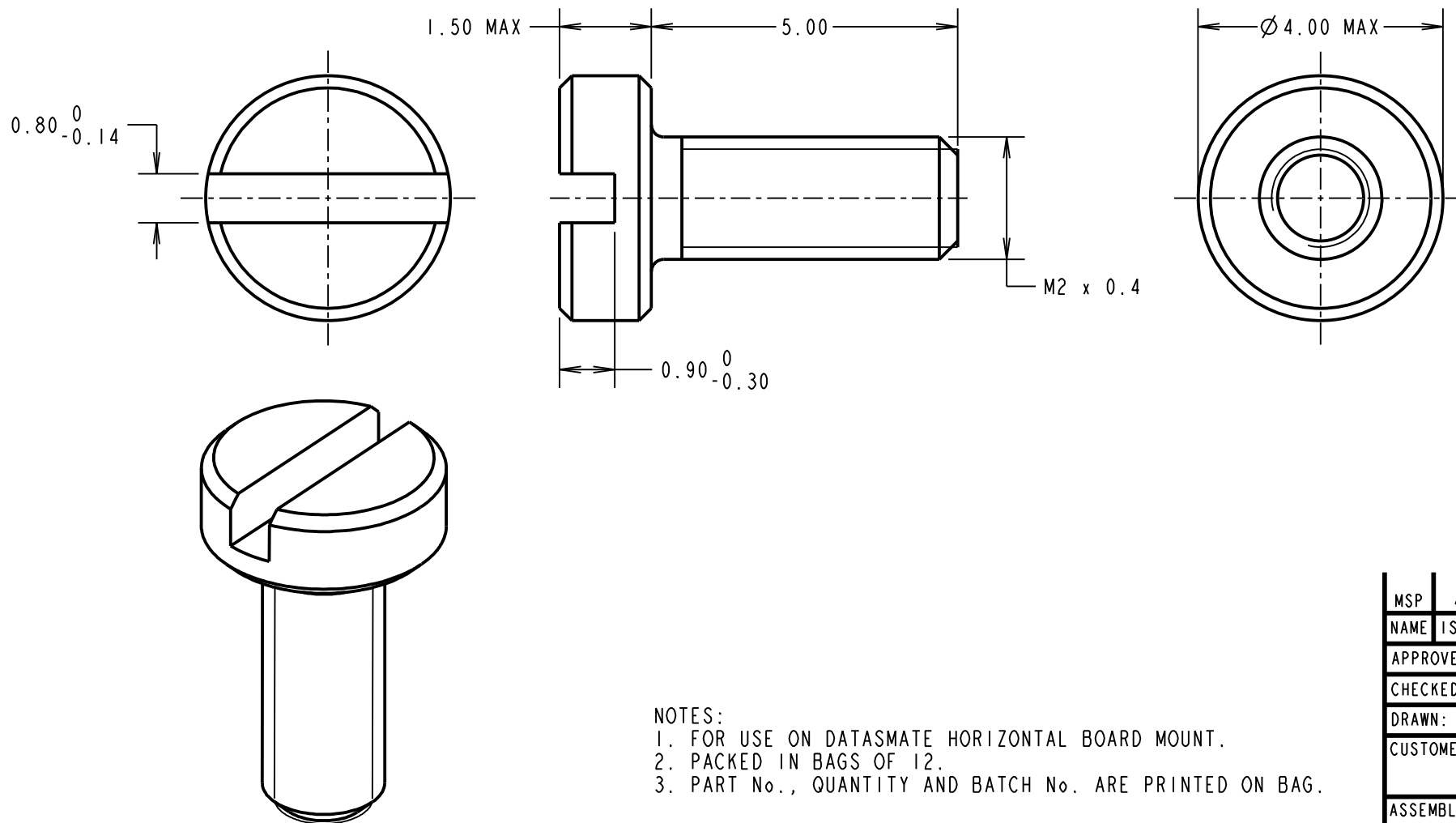
IF IN DOUBT - ASK

©

NOT TO SCALE

THIRD ANGLE PROJECTION

ALL DIMENSIONS IN mm



- NOTES:
1. FOR USE ON DATASMATE HORIZONTAL BOARD MOUNT.
 2. PACKED IN BAGS OF 12.
 3. PART No., QUANTITY AND BATCH No. ARE PRINTED ON BAG.

MSP	4	11.05.16	13433
NAME	ISS.	DATE	C/NOTE
APPROVED: M.PERREN			
CHECKED: M.PLESTED			
DRAWN: S. FLOWER			
CUSTOMER REF.:			
ASSEMBLY DRG:			

HARWIN

www.harwin.com
technical@harwin.com

THIS DRAWING AND ANY INFORMATION OR DESCRIPTIVE MATTER SET OUT HEREON ARE CONFIDENTIAL AND COPYRIGHT PROPERTY OF THE HARWIN GROUP AND MUST NOT BE DISCLOSED, LOANED, COPIED OR USED FOR MANUFACTURING, TENDERING OR FOR ANY OTHER PURPOSE WITHOUT THEIR WRITTEN PERMISSION.

TOLERANCES
 X. = ±1mm
 X.X = ±0.50mm
 X.XX = ±0.10mm
 X.XXX = ±0.01mm
 ANGLES = ±5°
 UNLESS STATED

MATERIAL:
 STAINLESS STEEL

FINISH: CLEAN
 S/AREA: mm²

TITLE: DATAMATE J-TEK 5mm LONG SLOTTED BOARD MOUNT BOLTS IN BAG

DRAWING NUMBER:
M80-2270000B

SHT
 2 OF 2