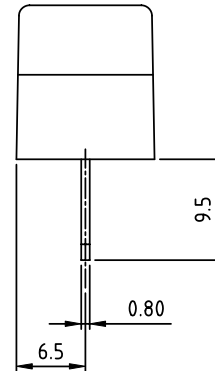
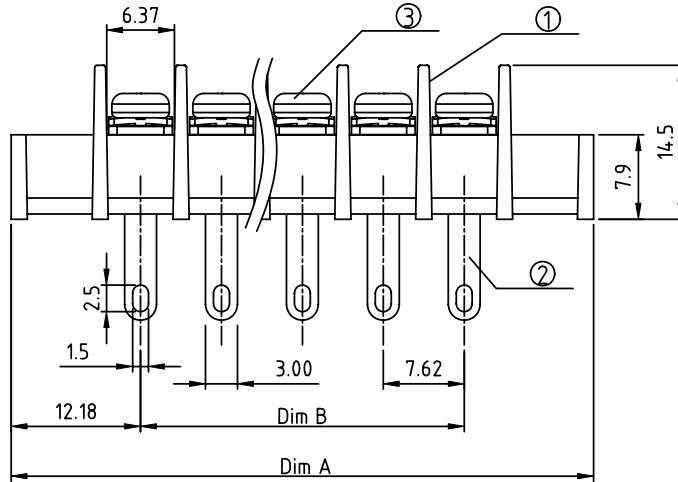
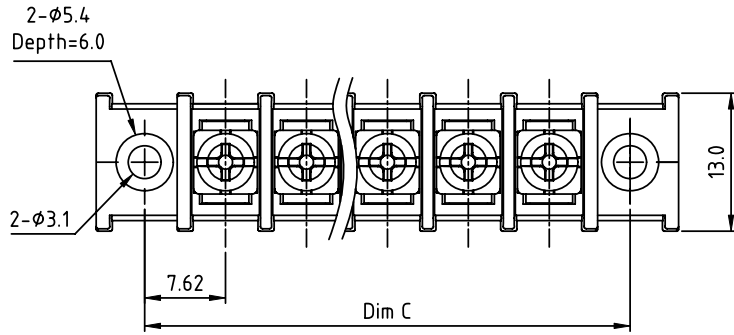


PRODUCT NUMBER	PITCH
YK315xx3x0J0G	7.62 mm



**MATERIALS & ELECTRICAL**  
**RATED VOLTAGE & CURRENT:** 250 V, 15 A  
**WITHSTAND VOLTAGE:** AC 2000 V/Min  
**INSULATION RESISTANCE:** 1000 MΩ OR MORE AT DC 500 V  
**OPERATING TEMPERATURE RANG:** -40 °C ~ +115 °C  
**SCREW TORQUE VALUE:** 5.3 Lb-In.  
**WIRE RANGE:** 22 - 16 AWG  
**1) HOUSING:** THERMOPLASTIC, UL 94 V-0 BLACK  
**2) TERMINAL:** BRASS, 0.8t  
**3) TERMINAL SCREWS:** STEEL, M3  
**APPROVAL:**

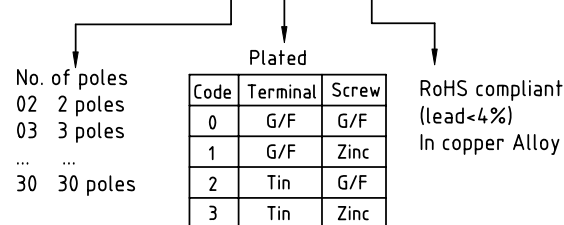
**DIMENSION**

Dim A	(N+2)×7.62+150
Dim B	(N-1)×7.62
Dim C	(N+1)×7.62

N=Number of poles

Poles	Tolerance
2p-5p	±0.25
6p-10p	±0.30
11p-16p	±0.45
17p-24p	±0.50
25p-30p	±0.60

**PART NO.: YK 315xx 3 x 0 J0G**



mat'l. code		surface ASME Y14.5 ✓	tolerance ASME Y14.5	projection 	product family TERMINAL BLOCK
ltr	ecn no	dr	date	tolerances unless otherwise specified	title TERMINAL BLOCK
				angles 	BARRIER TYPE, WITH FLANGE
				X°±1°	scale MM
				dr EVAN LU 061214	dwg no YK315xx3x0J0G
				enr EVAN LU 061214	sheet 1 of 1
				chr HANKE FENG 061214	size A4
				appd SHI JUN 061214	type CUSTOMER Drawing
sheet index	revision	A			
	sheet	1			