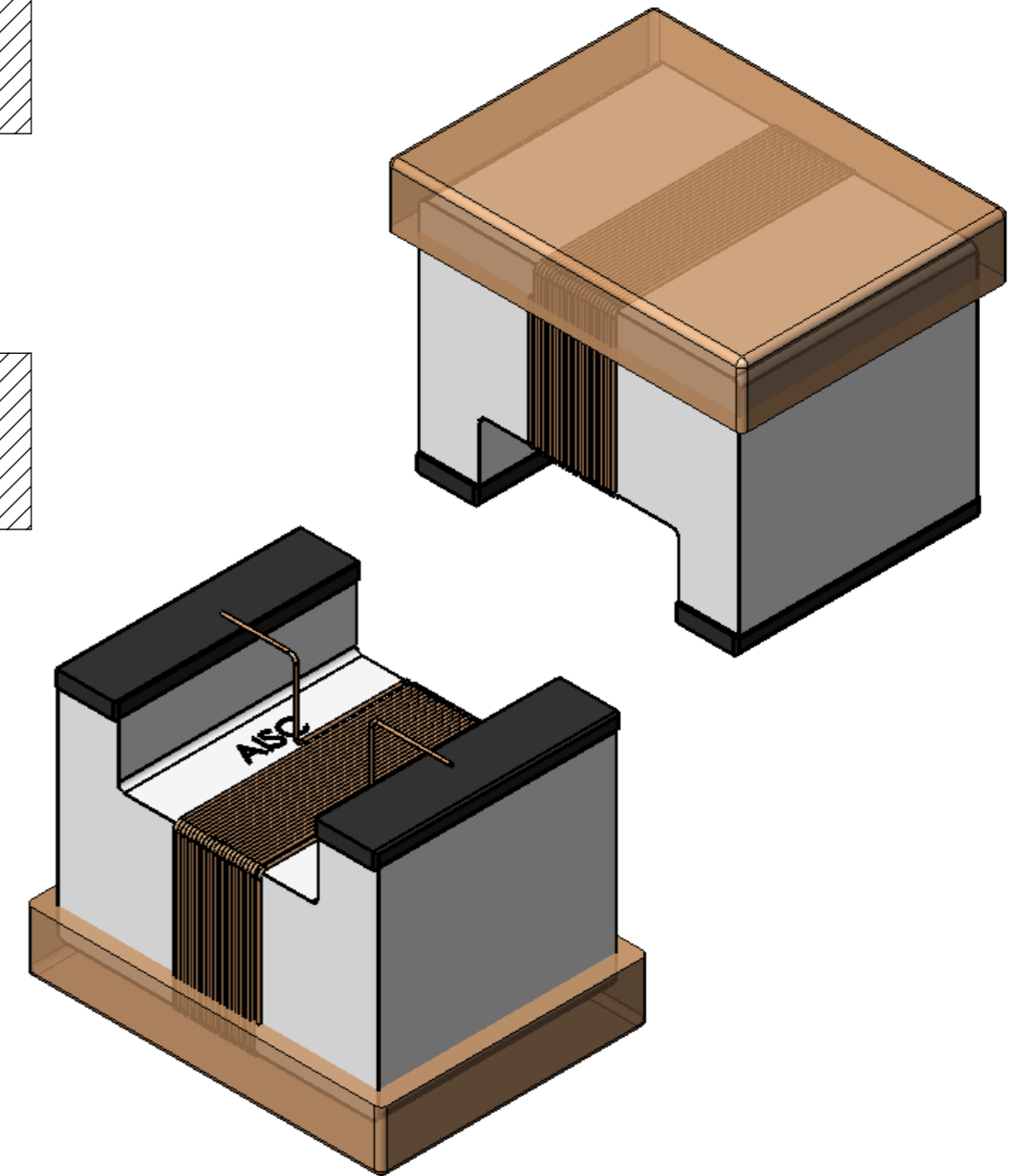
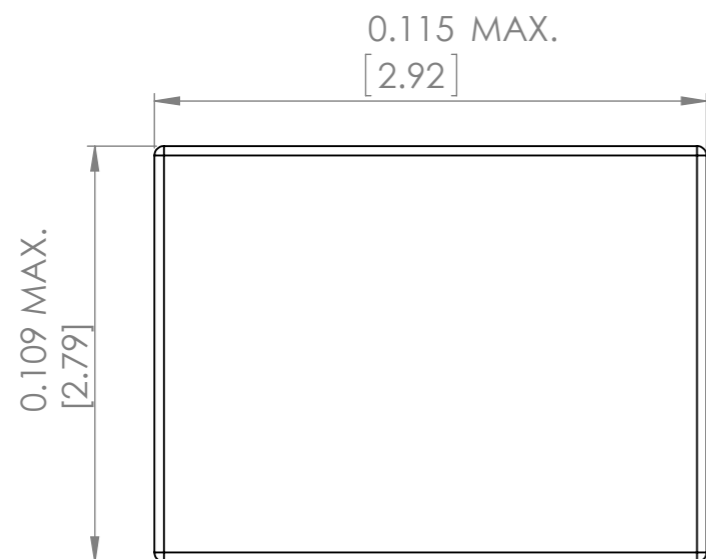
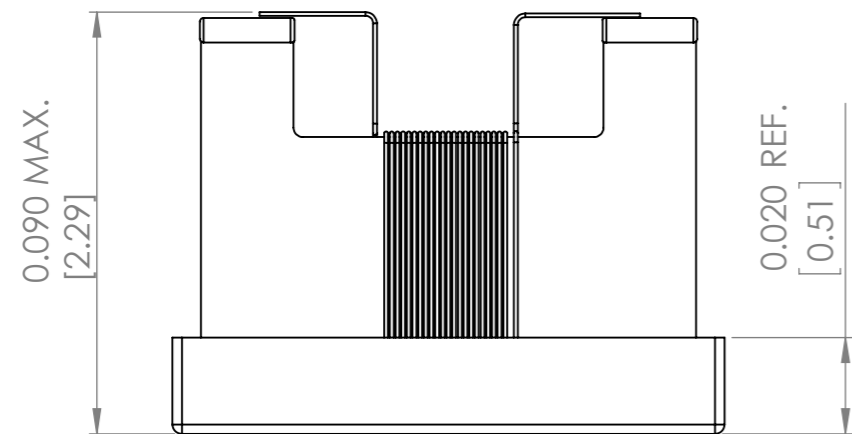
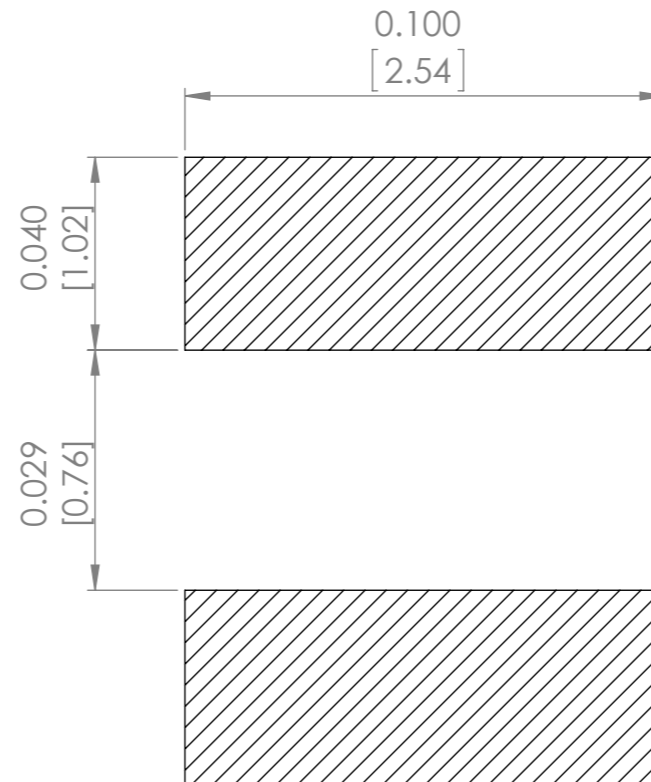



**RECOMMENDED LAND PATTERN**



UNLESS OTHERWISE SPECIFIED: DIMENSIONS ARE IN INCH(MM) SURFACE FINISH: TOLERANCES: LINEAR: ANGULAR:				FINISH:		DEBUR AND BREAK SHARP EDGES		DO NOT SCALE DRAWING		REVISION -	
DRAWN SAAZVAT				SIGNATURE		DATE		 <p><b>ABRACON CORPORATION</b> 30332 Esperanza, Rancho Santa margarita, California 92688</p> <p>TITLE: Wirewound RF chip inductor</p> <p>DWG NO. <b>AISC-1008</b></p> <p>SCALE:25:1</p>			
CHK'D XXXXXX											
APPV'D											
MFG											
Q.A											
						MATERIAL:		SHEET 1 OF 1		A3	
						WEIGHT:					