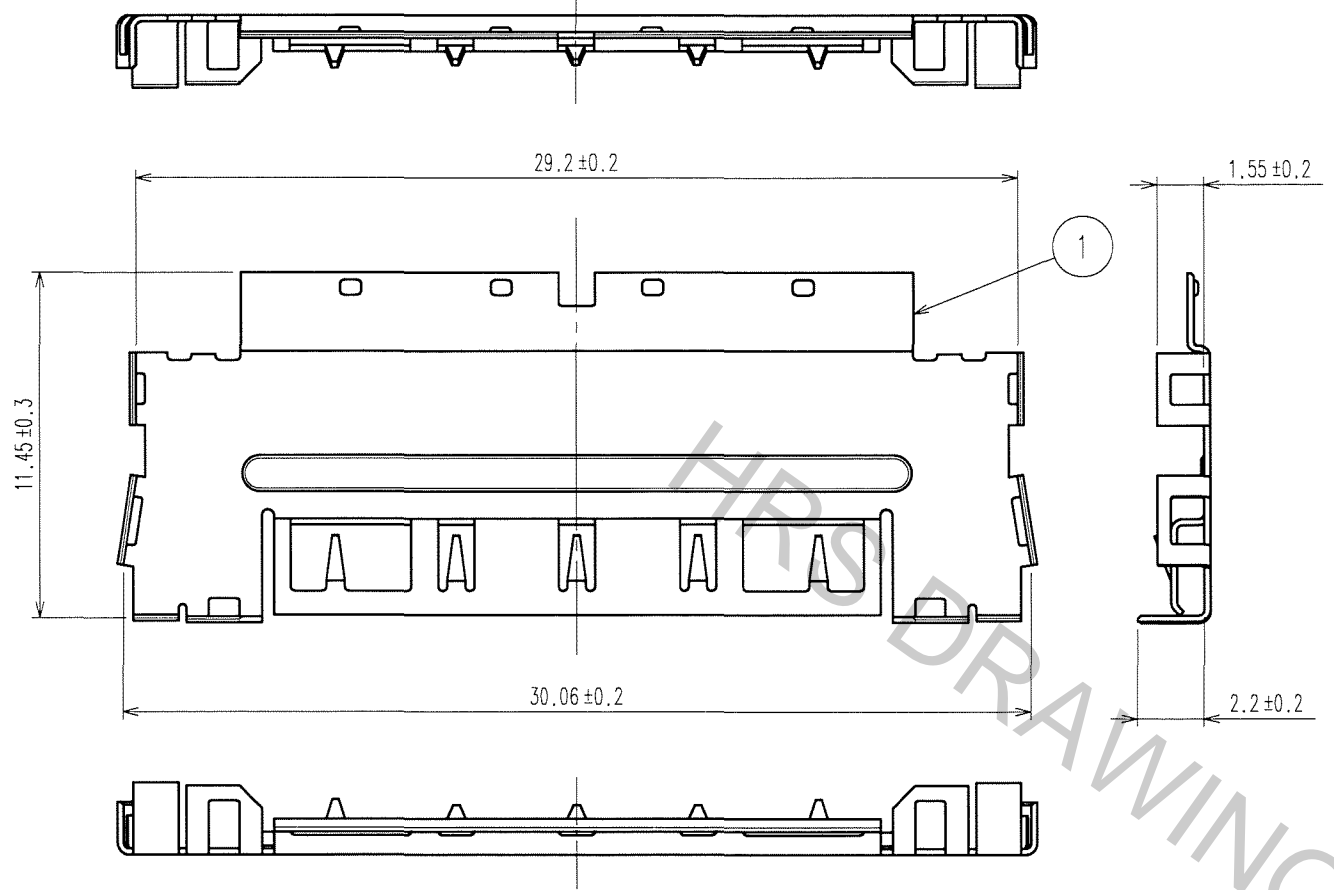
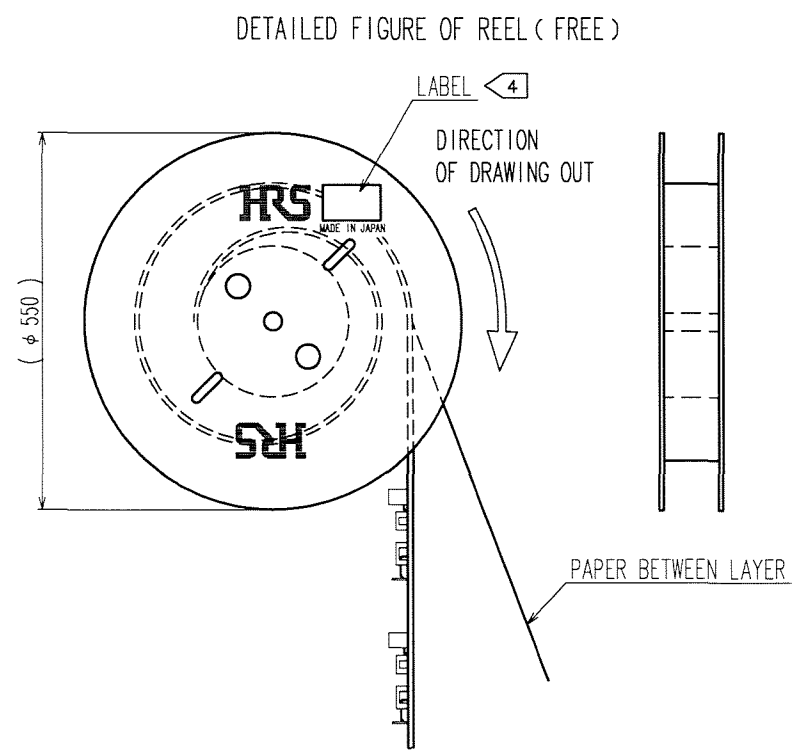
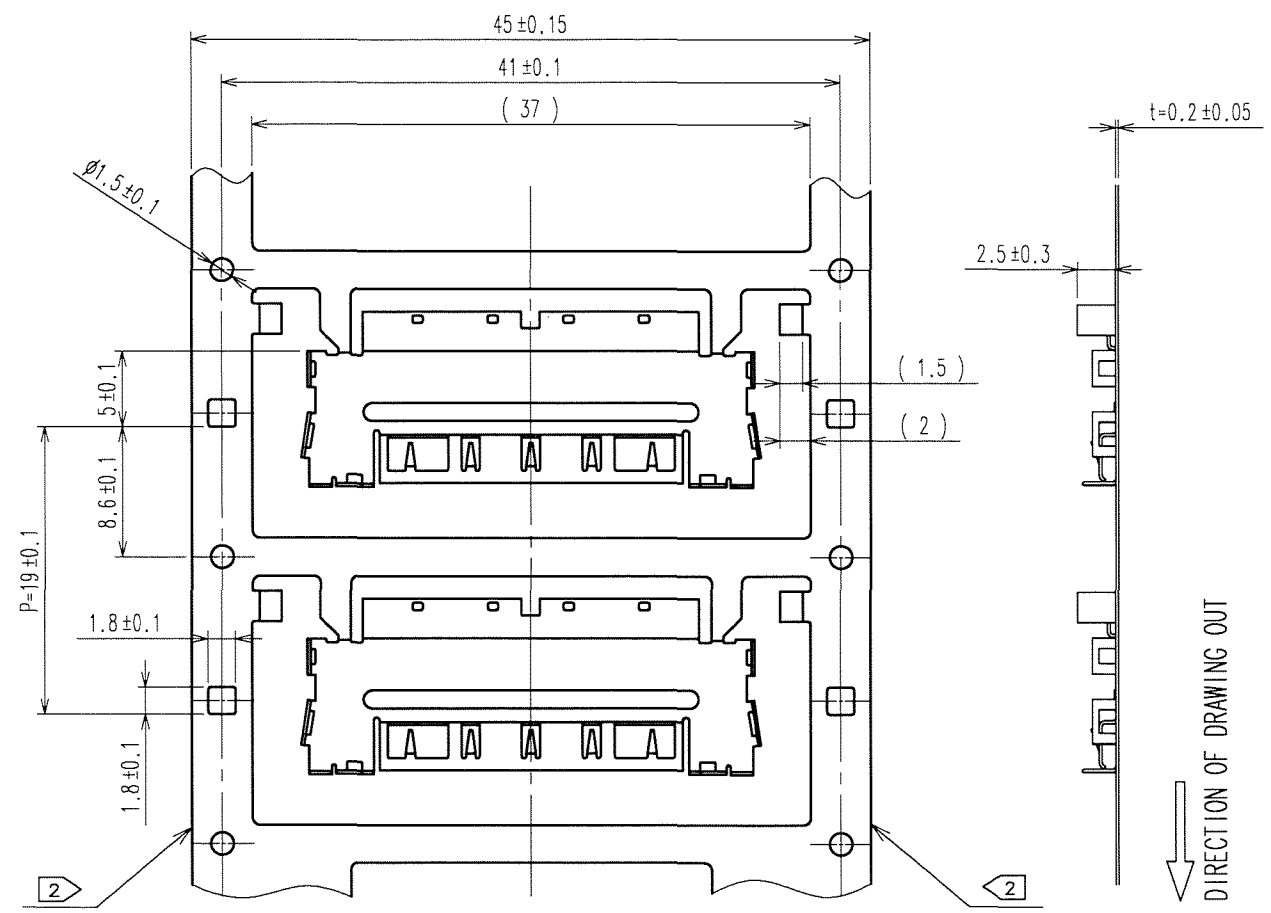


Apr.1.2017 Copyright 2017 HIROSE ELECTRIC CO., LTD. All Rights Reserved.

COUNT	DESCRIPTION OF REVISIONS	BY	CHKD	DATE	COUNT	DESCRIPTION OF REVISIONS	BY	CHKD	DATE



キャリア詳細図 (2 : 1)



- NOTE 1. Manufacturing process could leave scratch and/or punch marks having no affect on the product performance.
 2. Side cut can be provided to prevent carrier curve.
 3. 2500 pieces per reel
 4. Label as shown below is indicated.

HRS		INSPECTION 検査
CODE No. 品名コード	CL575-2111-6	
PART NO. 品名	FX15S-41P-GND	
QTY 数量	2,500 PCS	
PECULIAR 仕様	NP0.3	
Lot No		
SPLICE 継ぎ目		

5. Dimensions in () are for reference.
 6. This is a component for separately available product; FX15S-41P-0.5SD. Make sure to use with the specified combination.

NO.	MATERIAL	FINISH, REMARKS	NO.	MATERIAL	FINISH, REMARKS
1	STAINLESS		1	NICKEL 0.3μ m min	
CODE NO. (OLD) CL		DRAWN K. SHIBUYA 07.05.10	DESIGNED K. Shibuya 07.05.10	CHECKED H. Yamaguchi 07.05.11	APPROVED H. Okawa 07.05.11
DRAWING NO. EDC3-156255		PART NO. FX15S-41P-GND			
SCALE 4 : 1		CODE NO. CL575-2111-6			
UNITS mm		HRS HIROSE ELECTRIC CO., LTD			

TO