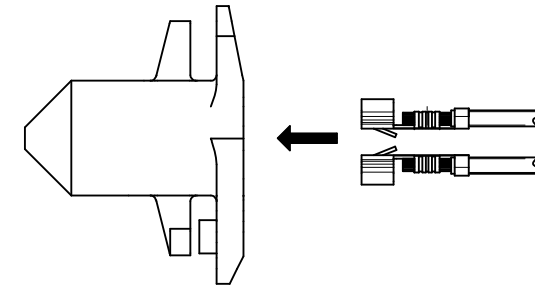
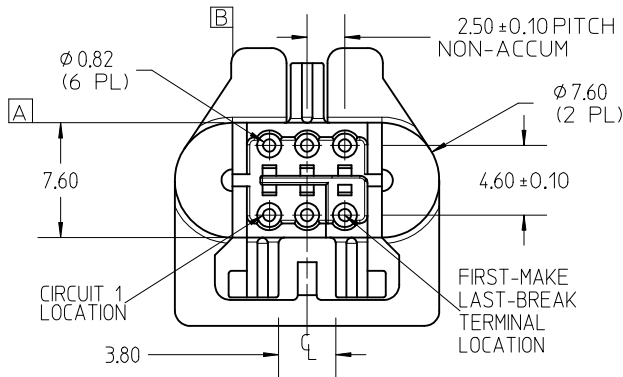
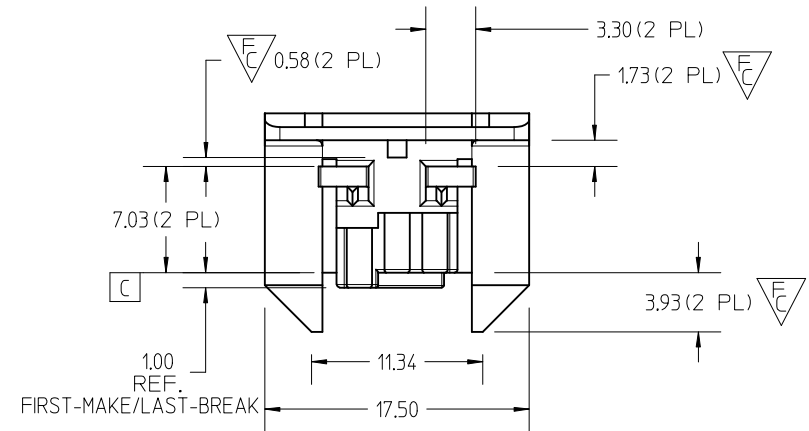
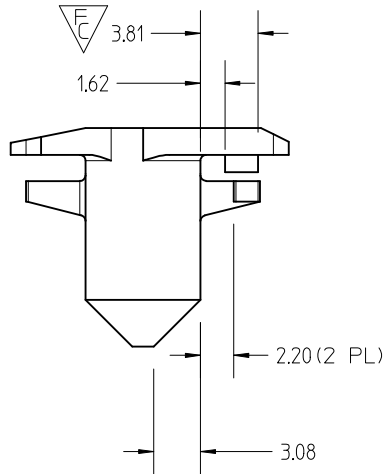
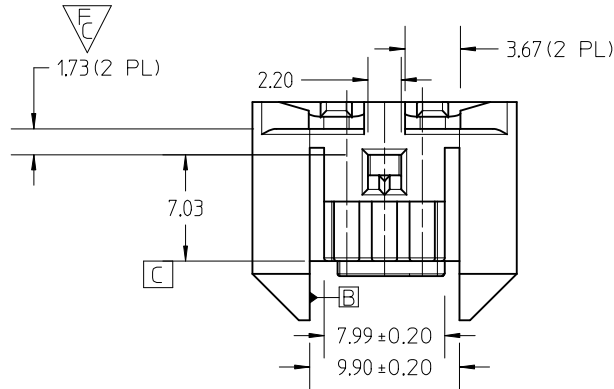
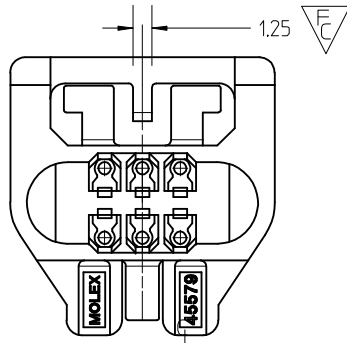


NOTES:

- 1. MATERIAL: POLYESTER, UL94V-0, COLOR: BLACK.
 - 2. PRODUCT SPEC - PS-45579-001.
 - 3. USE FEMALE CRIMP TERMINAL, 08-70-1047 ONLY. (NOTE THE ORIENTATION OF TERMINALS).
 - 4. PART MATES WITH MOLEX HEADER SERIES 45578.
 - 5. PACKAGING: BULK.
 - 6. SEE PAGE 2 OF 2 FOR PANEL CUTOUT DIMENSIONS AND THE ALLOWED BOARD TO PANEL MISALIGNMENT.
 - 7. USE TOOL NUMBER 63813-1400 TO REMOVE TERMINAL FROM HOUSING WHEN NECESSARY.
- CAUTION: TERMINALS MUST NOT BE REUSED AFTER REMOVAL.



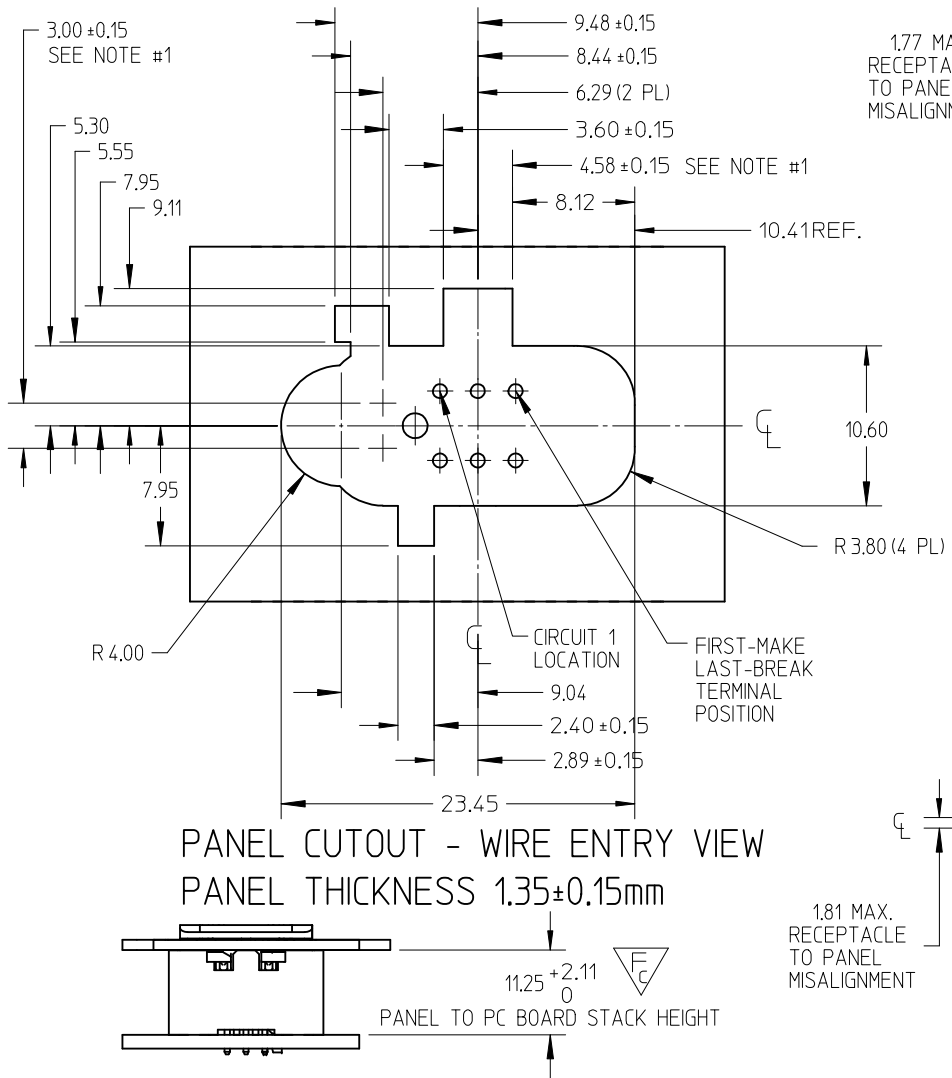
TERMINALS ARE TO BE ORIENTED AND LOADED INTO THE HOUSING AS SHOWN ABOVE

| | | | |
|---------------|---------------------|------------|-----------------|
| REVISE NOTE 3 | EC NO: UCP2013-1206 | 2012/09/25 | QUALITY SYMBOLS |
| | DRWN:BBEE | 2012/09/26 | |
| | CHKD:NGUYEN | 2012/10/12 | |
| | APPR:FSM:TH | | |
| REV | DESCRIPTION | | |
| F3 | | | |

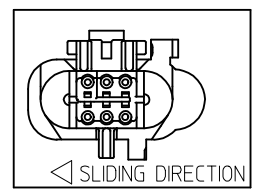
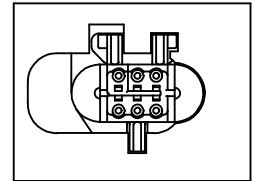
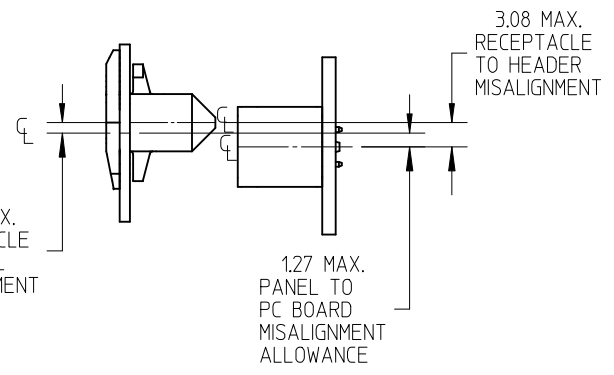
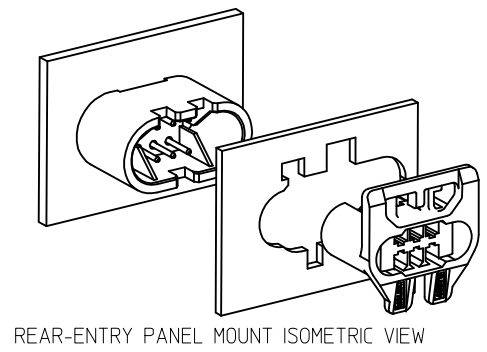
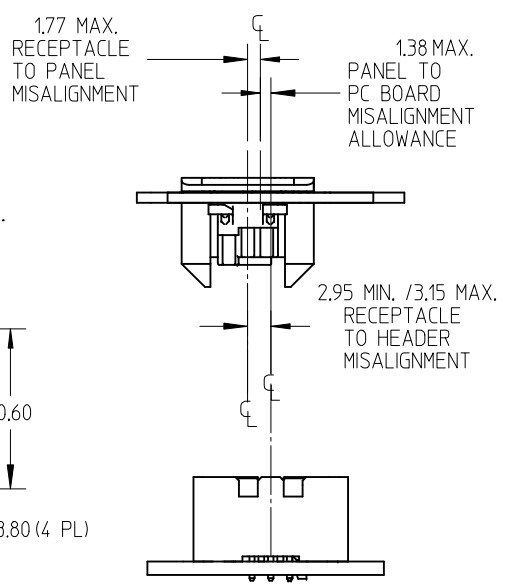
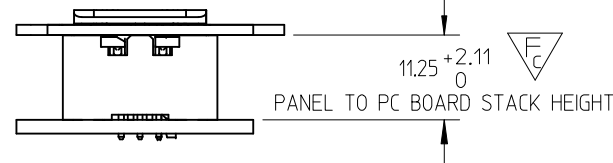
| GENERAL TOLERANCES (UNLESS SPECIFIED) | | |
|--|--------|-------|
| | mm | INCH |
| 4 PLACES | ± --- | ± --- |
| 3 PLACES | ± --- | ± --- |
| 2 PLACES | ± 0.25 | ± --- |
| 1 PLACE | ± 0.3 | ± --- |
| 0 PLACE | ± | ± |
| ANGULAR ± 1/2° | | |
| DRAFT WHERE APPLICABLE MUST REMAIN WITHIN DIMENSIONS | | |

| DIMENSION STYLE | |
|-----------------|------------|
| MM ONLY | |
| DRAWN BY | DATE |
| TGREGORI | 2003/07/02 |
| CHECKED BY | DATE |
| MCARRANZ | 2003/07/03 |
| APPROVED BY | DATE |
| APATEL | 2003/07/07 |
| MATERIAL NO. | |
| 45579-0001 | |
| SIZE | |
| A | |

| | | | |
|---|--------------|------------------------|-----------|
| SCALE | DESIGN UNITS | THIRD ANGLE PROJECTION | |
| 2:1 | METRIC | | |
| TITLE | | | |
| SPOX BMI RECEPTACLE HOUSING, 6 PIN REAR-ENTRY PANEL MOUNT | | | |
| molex | | | |
| DOCUMENT NO. | | | SHEET NO. |
| SD-45579-001 | | | 1 OF 2 |



PANEL CUTOUT - WIRE ENTRY VIEW
PANEL THICKNESS 1.35 ± 0.15mm



NOTES:
1. USE THIS DIMENSION TO ESTABLISH CENTERLINE OF THE PANEL CUTOUT

| | | |
|--|-----------------|-------------|
| SEE SHEET 1 EC NO: UCP2013-1206 DRWN:BBEE 2012/09/25 CHKD:NGUYEN 2012/09/26 APPR:FSM TH 2012/10/12 | QUALITY SYMBOLS | DESCRIPTION |
| | $\nabla = 0$ | |
| | $\nabla = 1$ | |
| | $\nabla = 0$ | |
| REV | | |

| | | |
|--|--------|-------|
| GENERAL TOLERANCES (UNLESS SPECIFIED) | | |
| | mm | INCH |
| 4 PLACES | ± --- | ± --- |
| 3 PLACES | ± --- | ± --- |
| 2 PLACES | ± 0.25 | ± --- |
| 1 PLACE | ± 0.3 | ± --- |
| 0 PLACE | ± | ± |
| ANGULAR ± 1/2° | | |
| DRAFT WHERE APPLICABLE MUST REMAIN WITHIN DIMENSIONS | | |

| | |
|-----------------|------------|
| DIMENSION STYLE | |
| MM ONLY | |
| DRAWN BY | DATE |
| TGREGORI | 2003/07/02 |
| CHECKED BY | DATE |
| MCARRANZ | 2003/07/03 |
| APPROVED BY | DATE |
| APATEL | 2003/07/07 |
| MATERIAL NO. | |
| 45579-0001 | |
| SIZE | |
| A | |

| | | | |
|---|--------------|------------------------|--|
| SCALE | DESIGN UNITS | THIRD ANGLE PROJECTION | |
| 1:1 | METRIC | | |
| TITLE | | | |
| SPOX BMI RECEPTACLE HOUSING, 6 PIN REAR-ENTRY PANEL MOUNT | | | |
| molex | | | |
| DOCUMENT NO. | | SHEET NO. | |
| SD-45579-001 | | 2 OF 2 | |
| THIS DRAWING CONTAINS INFORMATION THAT IS PROPRIETARY TO MOLEX INCORPORATED AND SHOULD NOT BE USED WITHOUT WRITTEN PERMISSION | | | |