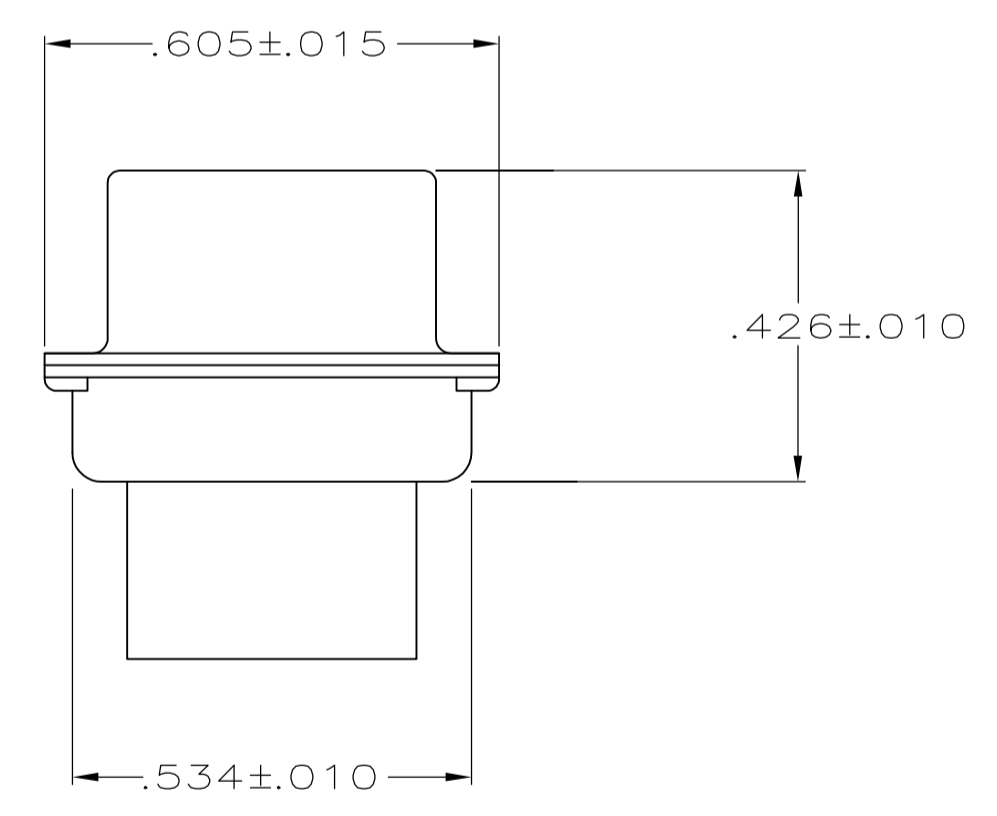
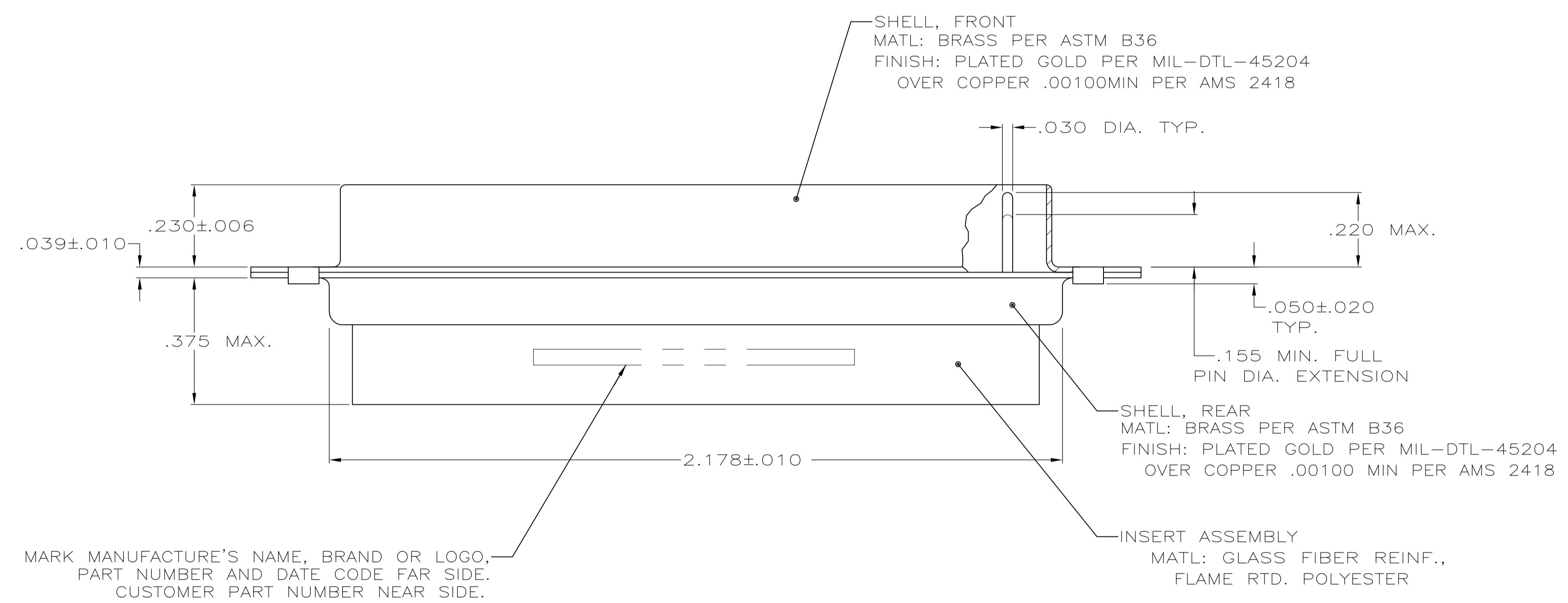


1. THIS PLUG WILL MATE WITH ANY 50 POSN., SIZE 5 RECEPTACLE IN THE AMPLIMITE SERIES.
 2. MAXIMUM WIRE INSULATION USED WITH THIS CONNECTOR IS .068 DIA.
 3. BE-CU RETENTION CLIPS ARE INCLUDED IN INSERT.
 4. CONNECTOR SUPPLIED WITHOUT CONTACTS; SHOWN FOR ILLUSTRATION ONLY.
- △ UL/CSA DESIGNATION STAMPED IN THIS AREA.



MARK MANUFACTURE'S NAME, BRAND OR LOGO, PART NUMBER AND DATE CODE FAR SIDE. CUSTOMER PART NUMBER NEAR SIDE.

1A01-007PHW	1-211622-1
2A014-005-001	211622-5
1A01-010PHA	211622-1
CUSTOMER PART NO	PART NO

THIS DRAWING IS A CONTROLLED DOCUMENT.		DWN T. SHUEY 11-17-87	Tyco Electronics Corporation Harrisburg, PA 17105-3608
DIMENSIONS: INCHES		CHK F.C. RALLEW III 11-30-87	
TOLERANCES UNLESS OTHERWISE SPECIFIED:		APVD F.C. RALLEW III 11-30-87	NAME PLUG ASSEMBLY, AMPLIMITE 50 POSITION, SIZE 5, SERIES 109, NON-MAGNETIC
0 PLC ± -		PRODUCT SPEC	
1 PLC ± -		APPLICATION SPEC	RESTRICTED TO
2 PLC ± -		SIZE	A1
3 PLC ± .005		CAGE CODE	00779
4 PLC ± -		DRAWING NO	211622
ANGLES ± 0°30'		WEIGHT	-
MATERIAL SEE CALLOUTS		FINISH SEE CALLOUTS	CUSTOMER DRAWING
		SCALE	4:1
		SHEET	1 OF 1
		REV	E