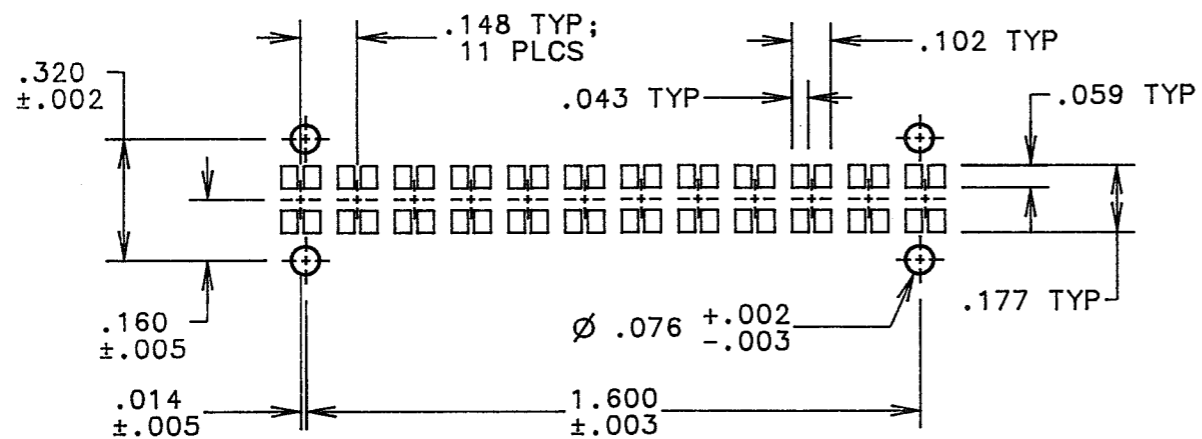
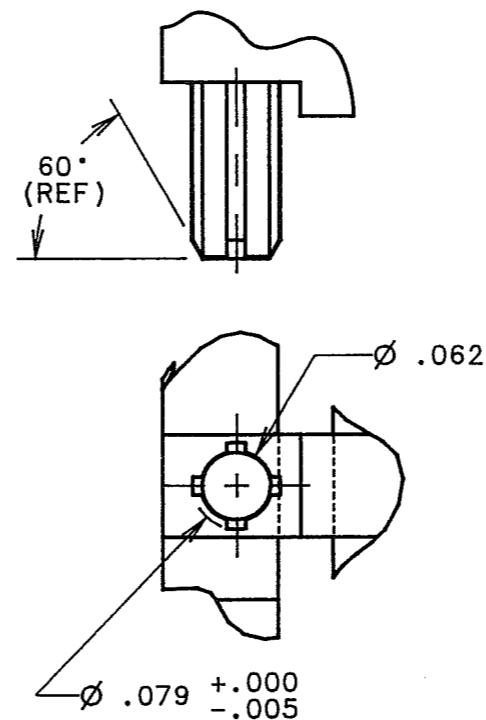


DETAIL "A"
SCALE 6:1



RECOMMENDED SOLDER PAD & HOLES LAYOUT



DETAIL "B"
(4 PLCS)
SCALE 6:1

NOTES:

1. COMPONENT TO BE MOLDED IN A CLEAR TRANSMISSIVE POLYCARBONATE WITH UL FLAMMIBILITY RATING OF 94V-0.
2. COMPONENT TO BE PRESSED INTO P.C. BOARD.

C		ADDED .040 PROTRUSION FOR POSITIONS 1, 6, 7, & 12 ONLY; ADDED DETAIL "A" WITH DIMS .095 & .090, ADDED DETAIL "B", DELETED PIN DIA LEADER NOTE IN SIDE VIEW, 2.435 WAS 2.44, AND NOTE 1 READ "...CLEAR TRANSMISSIVE POLYCARBONATE."	M.C.	D.C.	6-12-97
B		.319 WAS .320 & ADDED RECESSES WITH DIMS .030 TYP & .120 TYP.	M.C.	D.C.	4-14-97
A		NEW RELEASE	M.C.	N.O.	9-19-96
LTR	ECN NO.	REVISIONS	DRN.	APP.	DATE
THIS DRAWING AND THE CONTENTS HEREIN ARE CONFIDENTIAL AND THE SOLE PROPERTY OF DIALIGHT. REPRODUCTION OF THIS DRAWING OR CONSTRUCTION OF ANY PARTS WITHIN THIS DRAWING ARE FORBIDDEN WITHOUT THE PRIOR WRITTEN CONSENT OF DIALIGHT.					
SCALE: 2:1		CUSTOMER DRAWING NO.		DWG. REV.	
TOLERANCES: UNLESS OTHERWISE SPECIFIED ALL DIM'S IN: INCHES		C-16101		C	
FRACTIONS: ± 1/64 DECIMALS(.XX) ± .02 DECIMALS(.XXX) ± .015 ANGLES ± 3°		TITLE 12-ELEMENT LIGHTPIPE			
FINISH:		PART NUMBER 515-1045			
FSCM 83330		Dialight		1913 Atlantic Ave. Manasquan, NJ 08736	