

MODEL:

# SRWF2U36

## SmartRack® Low-Profile Wall-Mount Rack Enclosure Cabinet



2 Rack Units



2U Patch Panel Bracket



150 lb. Load Rating



Sturdy Steel Construction



Locking Door



Accommodates Standard 19-inch Equipment



Convenient Cable Access



Adjustable Mounting Rails



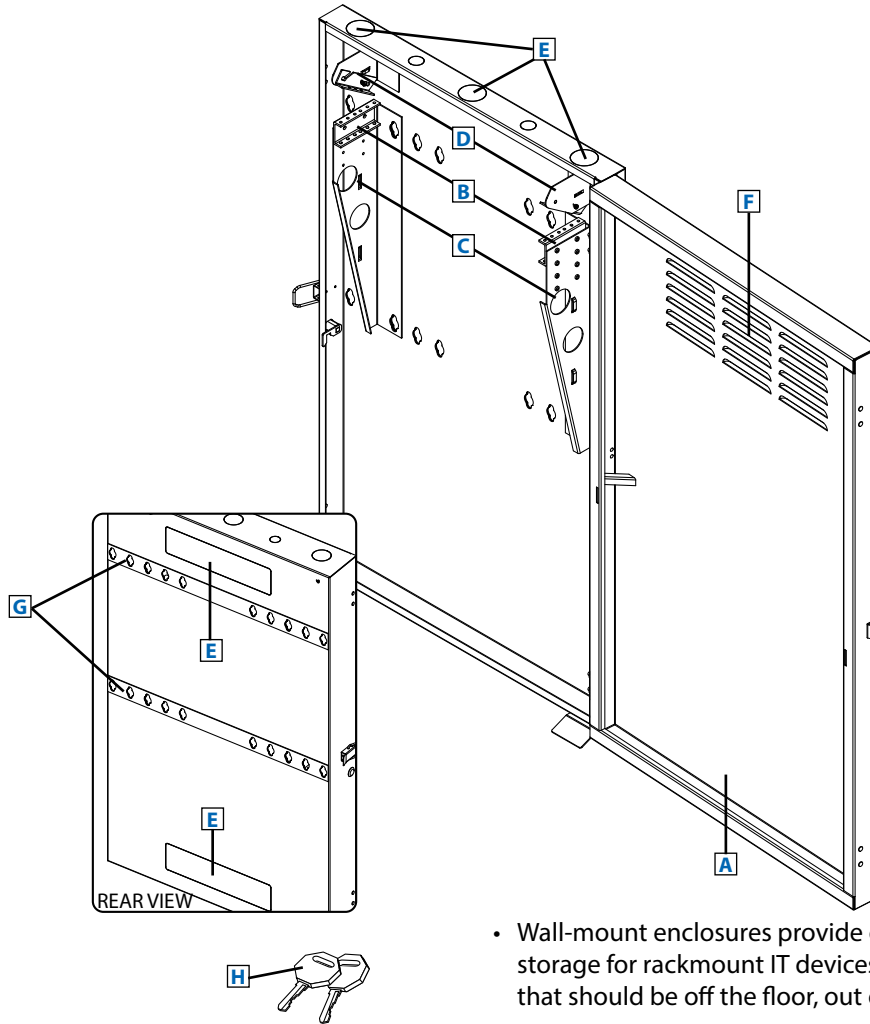
Ventilated for Ample Airflow



Reversible Door

- A** Front Door (Lockable/Reversible)
- B** Horizontal Mounting Rails (Adjustable/Reversible)
- C** Vertical Mounting Brackets
- D** 2U Slide-Out Patch Panel Mounting Brackets
- E** Cable Access Holes
- F** Vents
- G** Wall-Mounting Slots
- H** Keys

Also Includes: Owner's Manual and rackmount equipment mounting hardware (12 M6 screws, 12 M6 cup washers and 12 12-24 screws).



- Wall-mount enclosures provide convenient, locking storage for rackmount IT devices and other equipment that should be off the floor, out of the way and secure
- Low-profile design with vertical equipment mounting is ideal for back office or network closet applications where space is limited
- 2U slide-out mounting brackets located at the top of the unit provide space for separate patch panels and allow for easy cable access

**SEE NEXT PAGE FOR DETAILED UNIT MEASUREMENTS**



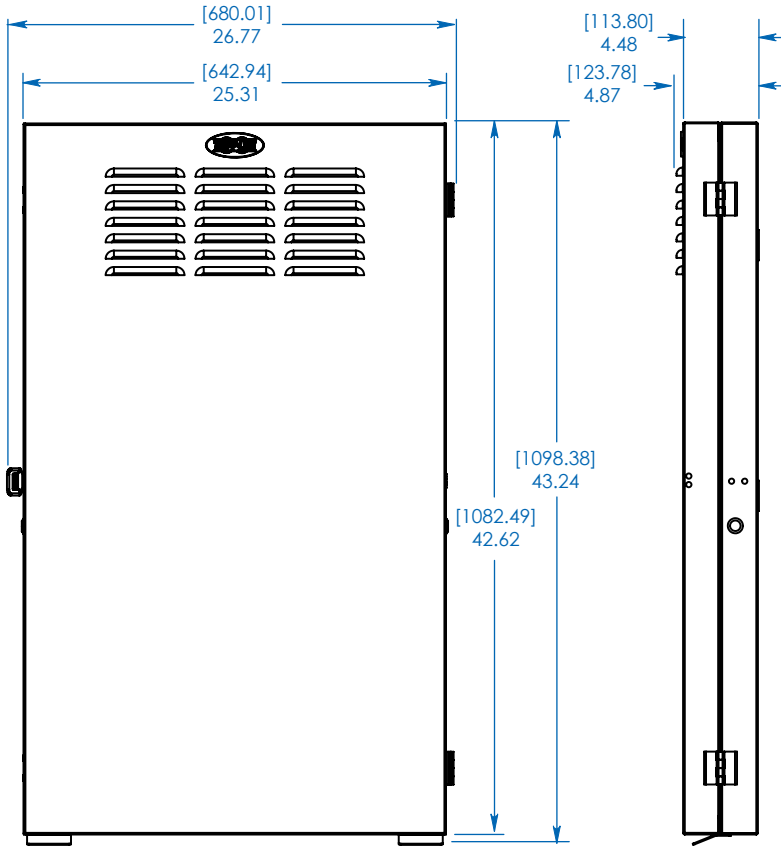
1111 W. 35th Street  
Chicago, IL 60609 USA  
773.869.1234  
www.tripplite.com

### Specifications

Model	SRWF2U36
Rack Spaces	2U
Equipment Mounting Depth	Up to 36 in. / 914 mm
Load Rating*	150 lb. / 68 kg
Unit Dimensions (H x W x D)	43.24 x 23.31 x 4.48 in. / 1098 x 643 x 114 mm
Shipping Dimensions (H x W x D)	48.03 x 31.1 x 9.44 in. / 1220 x 790 x 240 mm
Unit Weight	58.86 lb. / 27 kg
Shipping Weight	62.83 lb. / 28.5 kg
Standards	Tested to EIA-310-E, NOM, RoHS, PCI-DSS

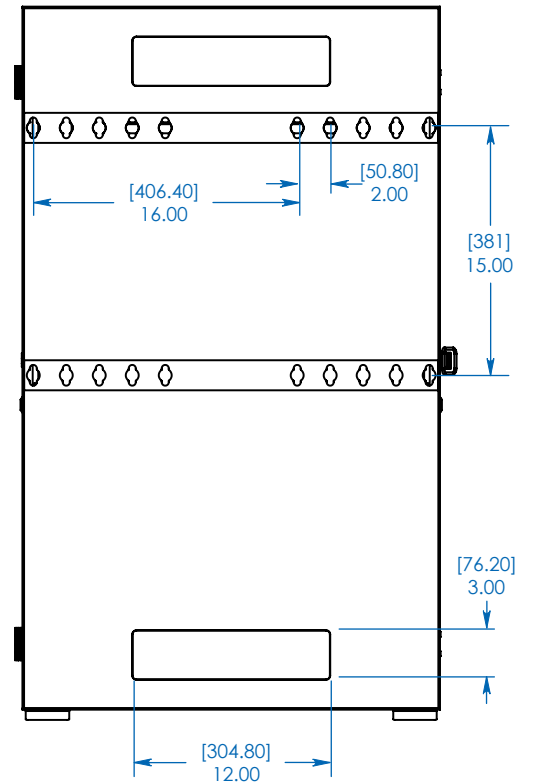
\* The load rating includes the combined weight of the unit and installed equipment. The unit must be mounted to a stable surface with user-supplied anchors capable of bearing the full load.



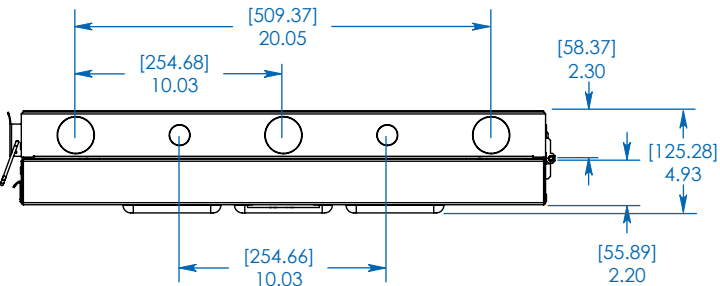


FRONT VIEW

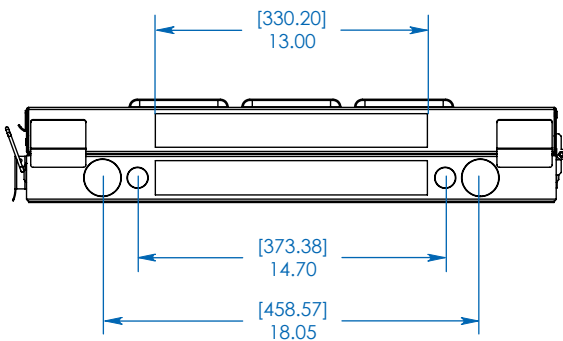
SIDE VIEW



REAR VIEW



TOP VIEW



BOTTOM VIEW

MODEL:  
**SRWF2U36**  
**TRIPP-LITE**

1111 W. 35th Street  
 Chicago, IL 60609 USA  
 773.869.1234  
 www.tripplite.com

Dimensions: [mm] INCHES

Tripp Lite has a policy of continuous improvement. Specifications are subject to change without notice.