

Global Design & Manufacturing

Customer Support

### North America

**MEXICO - Cannon, VEAM**

Av. Libre Comercio s/n-  
entre Calzada Industrial  
Nuevo Nogales y Calzada del Raquet Club,  
Parque Industrial Nuevo Nogales  
phone: +52.631.3110050  
fax: +52.631.3110060

**USA - Cannon**

666 East Dyer Road  
Santa Ana, CA 92705  
toll free: 1.800.854.3028  
phone: +1.714.557.4700  
fax: +1.714.628.2142

**USA - BIW**

500 Tesconi Circle  
Santa Rosa, CA 95401  
phone: +1.707.523.2300  
fax: +1.707.523.3567

**USA - VEAM**

100 New Wood Road  
Watertown, CT 06795  
phone: +1.860.274.9681  
fax: +1.860.274.4963

### Europe & Middle East

**FRANCE - Cannon, VEAM**

15, Boulevard Robert Thiboust  
Serris, France 77700  
phone: +33.1.60.04.93.93  
fax: +33.1.60.04.93.90

**GERMANY - Cannon, VEAM**

Cannonstrasse 1  
Weinstadt, 71384  
phone: +49.7151.699.0  
fax: +49.7151.699.217

**ITALY - Cannon, VEAM**

Corso Europa 41/43  
Lainate (MI), Italy 20020  
phone: +39.02938721  
fax: +39.0293872300

**LEBANON - BIW**

P.O. Box 199  
Jounieh  
Lebanon  
phone: +961.9.911.560  
fax: +961.9.912.126

**UK - Cannon, VEAM**

Jays Close, Viabes Estate  
Basingstoke, RG22 4BA  
phone: +44.1256.311200  
fax: +44.1256.323356

### Asia

**CHINA - Cannon, VEAM**

Tuopandun Industrial Area, Jinda Cheng,  
Xiner Village, Shajing Town,  
Baoan District, Shenzhen City,  
Guangdong, China 518125  
phone: +86.755.2726.7238  
fax: +86.755.2726.7515

**HONG KONG - Cannon, VEAM**

Units 2405-6, 24/F, ING Tower  
308 Des Voeux Road  
Central  
Hong Kong  
phone: +852.2732.2720  
fax: +852.2732.2919

**INDIA - Cannon, VEAM**

ITT Corporation India Pvt Ltd  
2nd Fl Prama House  
21 Cama Industrial Estate  
Walbhat Road, Goregaon (E),  
Mumbai  
phone: +91 22 67843000  
fax: +91 22 26783033

**JAPAN - Cannon, VEAM**

11-3, 5 Chome, Hibarigaoka, Zama-shi  
Kanagawa, Japan 228-0003  
phone: +81.462.57.2010  
fax: +81.462.57.1680

**SINGAPORE - Cannon, VEAM**

10 Jalan Kilang #06-01 Singapore  
159410  
phone: +65.62763693 ext 232  
fax: +65.62763685



Interconnect Solutions  
Cannon, VEAM, BIW

100% flexibility,  
50% space saving & 50% lighter.

## VEAM VIP, Power Connector



© Thaut Images, Graas Media - Fotolia.com

©2011 ITT Corporation. "Engineered for life" and "Cannon" are registered trademarks of ITT Corporation. Specification and other data are based on information available at the time of printing, and are subject to change without notice.

www.ittcannon.com

Engineered for life



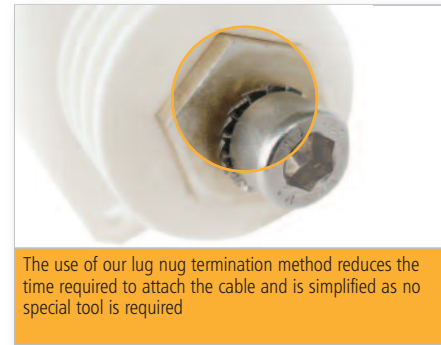
## 100% Flexibility and 50% Space Saving Replacing hard wire bulkhead connections

Driven by the need to reduce build times and out of service times to a minimum, the next generation mass transit systems are incorporating additional interconnect solutions to aid in these requirements.

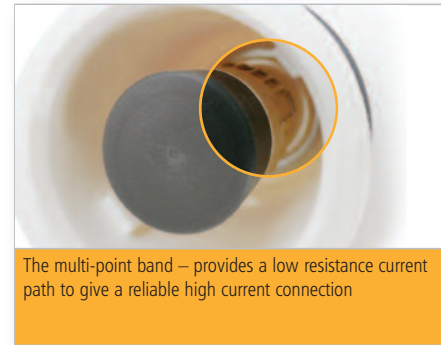
By introducing modular systems the build time on cars and locomotives can be significantly reduced, and when these systems require standard maintenance it is important that this be completed quickly and safely. The Power VIP connector helps reduce the maintenance time by 10%. The use of interconnect solutions helps fulfil these specific needs of the 21st Century. Recognizing these trends, ITT Interconnect Solutions continues its 50 year innovation legacy within the mass transit markets by

introducing our new Power VIP connector as an additional range of connectors to compliment our famous CIR family of railway interconnects.

ITT Interconnect solutions proudly releases this new VIP line of circular connectors to meet the exacting requirements of the railway industry. Our unique offering allows for easy assembly with no additional tooling required, and a threaded coupling that guarantees a secure connection. By replacing the insulator in the bulkhead with the Power VIP connector it allows for both fast and safe disconnection of the system. The use of ITT's finger proof system provides a safe working environment for the operator.



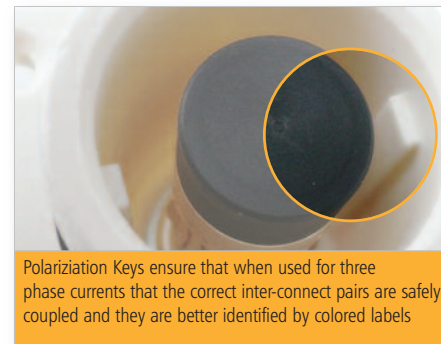
The use of our lug nug termination method reduces the time required to attach the cable and is simplified as no special tool is required



The multi-point band – provides a low resistance current path to give a reliable high current connection



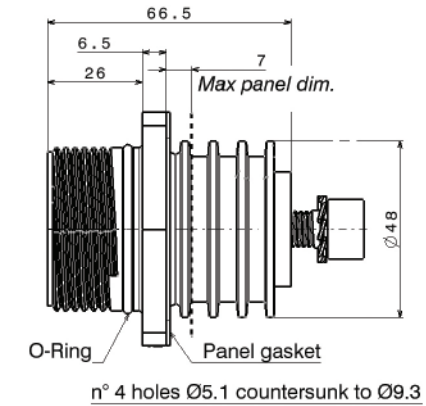
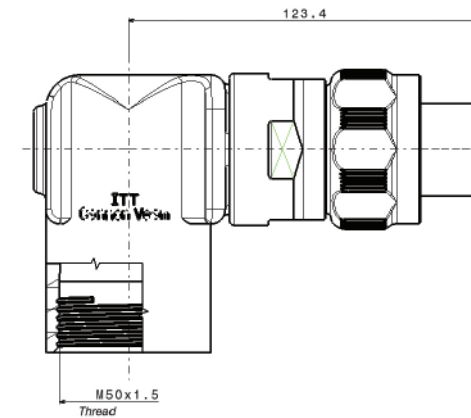
Finger proof contact gives a IP2X ingress protection, which prevents touching of the live parts and safe handling of the inter-connection



Polarization Keys ensure that when used for three phase currents that the correct inter-connect pairs are safely coupled and they are better identified by colored labels



Threaded coupling guarantees the connection in a high vibration environment and allows up to 500 mating cycles



The Power VIP interconnect represents an innovative approach to replacing fixed insulators. This connector is current rated up to 700 amps, and the multi-band has been designed to maximize the number of contact points between the two contacts which provides a reliable connection at this high current. The flame retardant plastic material is rated according to the railway standard CEI UNI 1170. The plug connector has been designed with a right angle elbow to allow for use in space constrained environments. In addition to usages in the Mass Transit area the Power VIP connector can also be used to connect power cables in distribution panels used in mobile generators and three phase motors.

Partnered with ITT ICS's pioneering engineering capability and globally deployed manufacturing excellence, we welcome the opportunity to support you in reaching your mass transit needs while continuing the legacy of the VEAM brand, which has ensured safe, fast, and reliable passenger transit in over 100,000 trains for over 50 years.



► For more specifications please see: [www.ittcannon.com](http://www.ittcannon.com)



## THINK ABOUT ITT

Reliability, Innovation, and Engineered Solutions, these terms collectively describe ITT Interconnect Solutions and define a legacy of Interconnect Science spanning nearly a century, reflecting billions of quality products sold, and incorporating the three industry leading brands of Cannon,

VEAM, and BIW. Our Innovation Timeline uniquely defines a historical compendium of interconnect leadership spanning over 90 years and including many industry firsts; Audio Connectors, Aviation Circuits, D-Sub's, Micro's, fiber optic assemblies, Zero Insertion Force Technologies, and other advanced applications of Interconnect Science. When collaborating with a technology leader, choose a participant with documented trust, established through

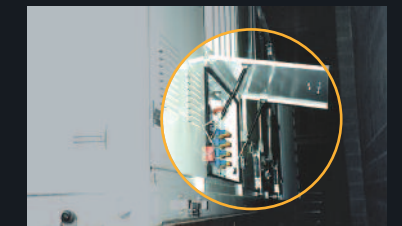
multi-industry achievements as substantiated through the participation on every free world space mission, the creation of the first Mil / Spec interconnects, participation on the first talking movie, 100% reliability for over 50 years in Rail applications, and numerous additional achievements in major Military, Aerospace, Industrial, Medical, and Power markets. At ITT ICS, we truly are "Engineered for Life™." Think about ITT.

### APPLICATIONS

- **Railway**
  - railway power converters
  - energy distribution
  - power cable applications
  - thru-bulkhead insulator



- **Industrial power distribution**
  - mobile generators
  - power distribution boxes



IRIS Certification

### Fast and Safe

The double start threaded coupling system reduces coupling time by 50%. In addition, the key requirement of safety is addressed

by the contact on both halves of the connector being finger protected.

### WHY INNOVATIVE CUSTOMERS CHOOSE ITT

- ITT Veam threaded double start locking mechanism allows for robust and secure mating in harsh environments
- Finger protected contact ensures a safe operator environment when connecting or disconnecting systems
- Capability to accommodate cable from 70 to 240 sq mm which caters to all standard industry cables
- Industry compliant fire protection with the use of flame retardant material ensuring Railway standard certification conformance
- No special tooling required allowing the use of a lug for easy termination of the cable
- Easy to Grip Coupling Nut designed to use when wearing gloves

