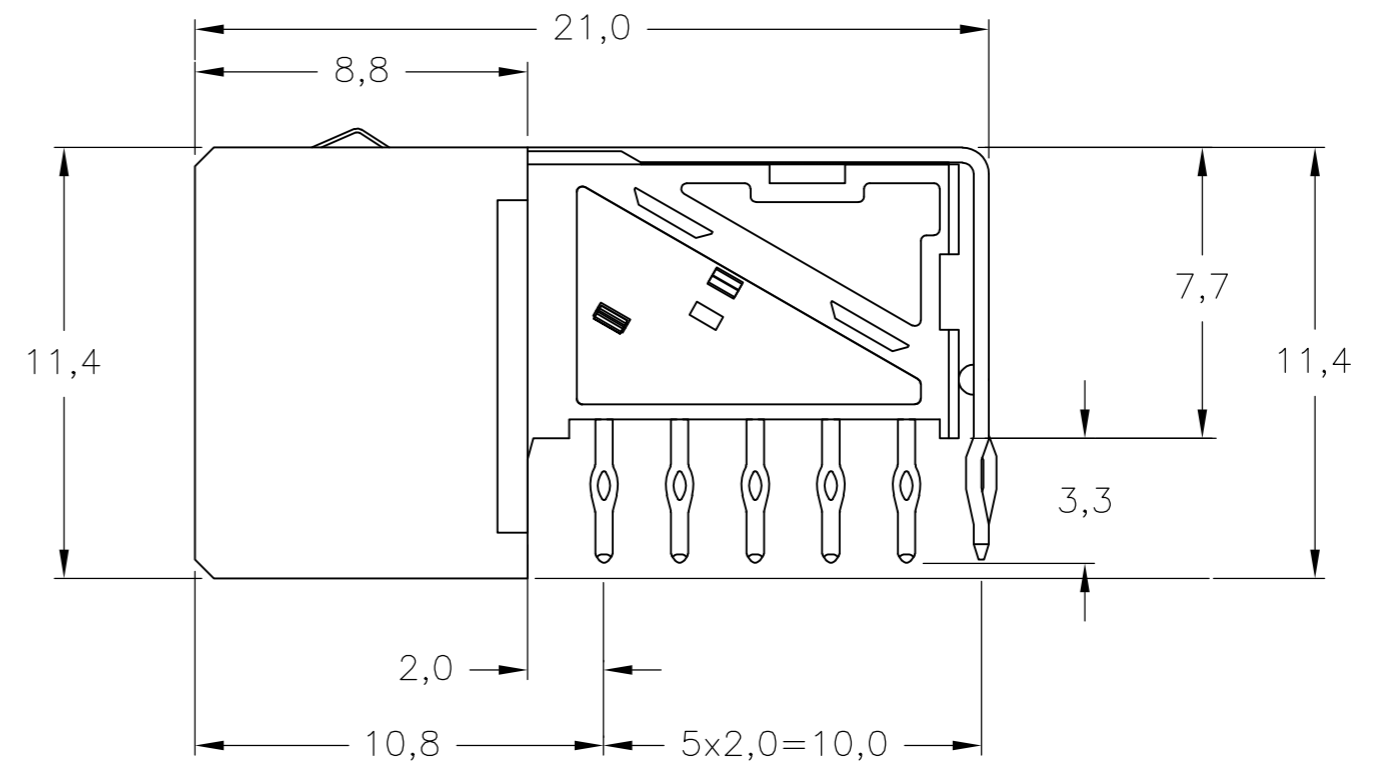
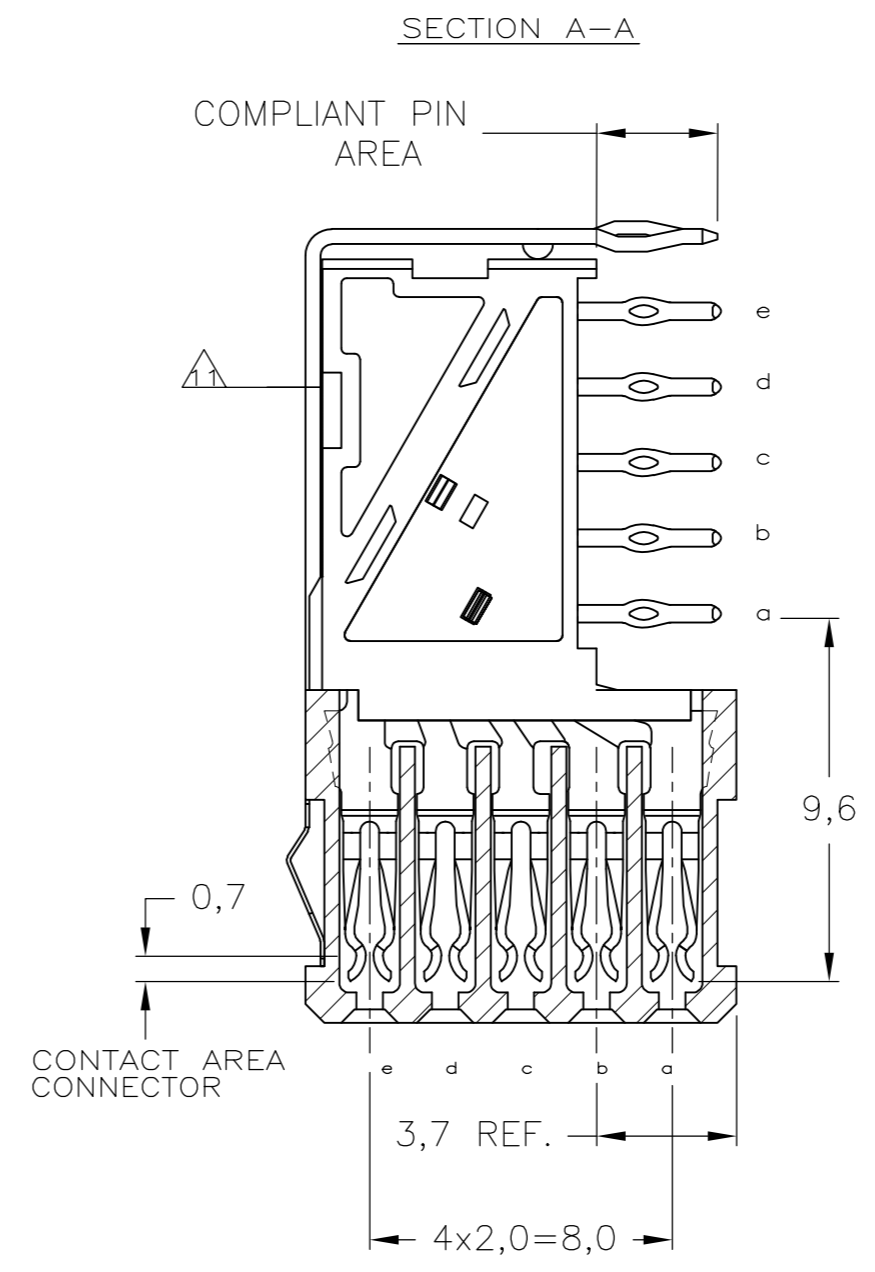
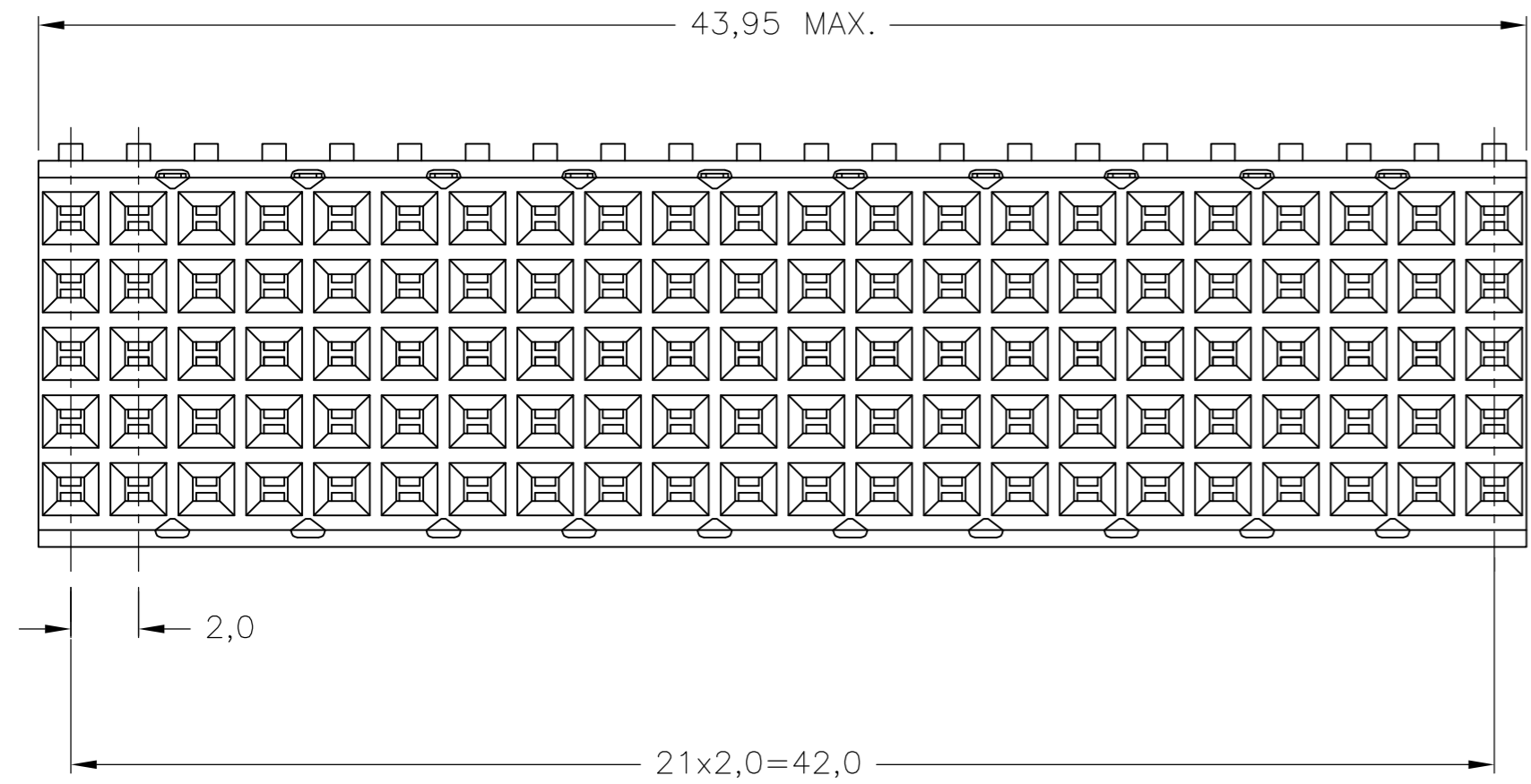
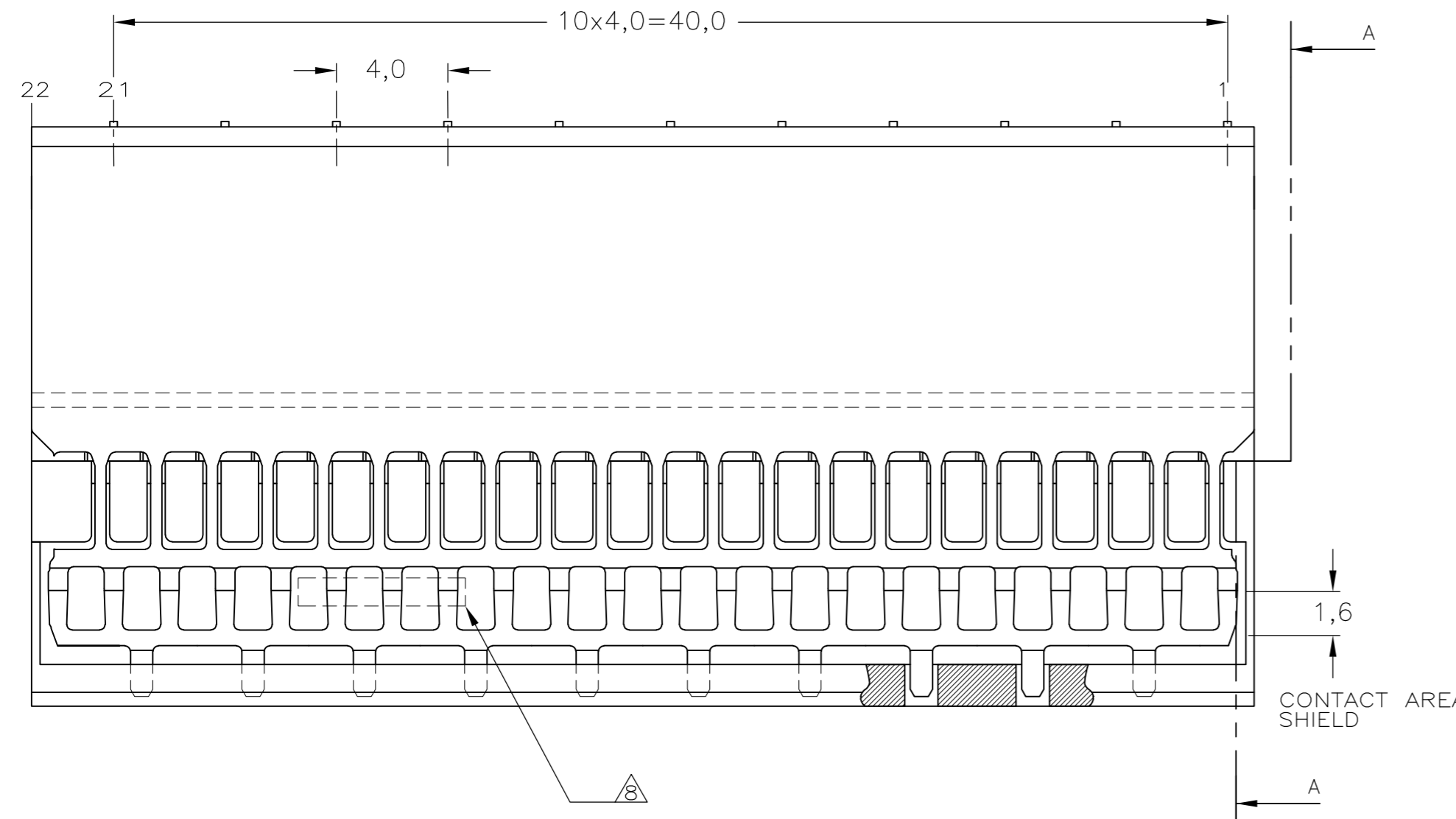


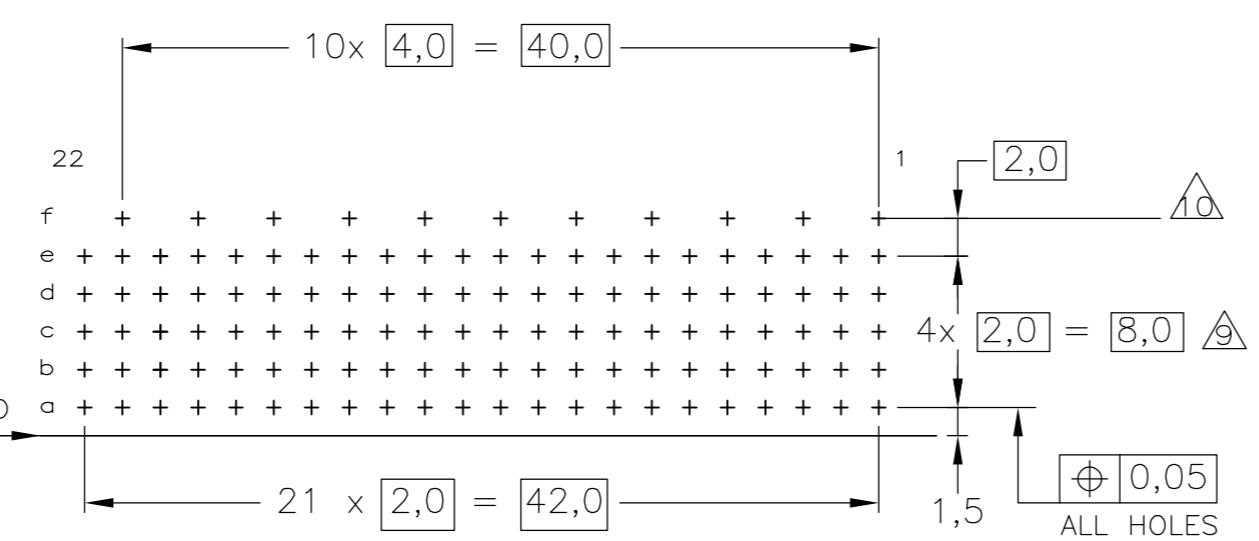
THIS DRAWING IS UNPUBLISHED. RELEASED FOR PUBLICATION  
 © COPYRIGHT BY TYCO ELECTRONICS CORPORATION. ALL RIGHTS RESERVED.

Loc		DIST		REVISIONS			
P	LTR	DESCRIPTION	DATE	DWN	APVD		
A1		ECR-07-024984	19OCT2007	JvH	JB		
B		ECR-10-018652	10SEP10	SW	MQW		
C		ECO-11-024491	13DEC11	SY	MQW		



- NOTES:
- △ MATERIAL CONTACTS; PHOSPHORBRONZE
  - △ MATERIAL HOUSING; GLASSFILLED POLYESTER (GRAY)
  - △ GENERAL PLATING SPECIFICATION: UNDERPLATING (ENTIRE CONTACT): 1,27μm NICKEL MIN. AND COMPLIANT PIN SECTION: 0,5μm TIN MIN. FOR PLATING OF MATING SURFACES SEE APPLICABLE SPECIFICATION REFERENCE FOR EACH DASH NUMBER.
  - △ CONFORMS TO ALL TESTING ACCORDING IEC 61076-4-101 PERFORMANCE LEVEL 2.
  - △ CONFORMS TO ALL TESTING ACCORDING IEC 61076-4-101 PERFORMANCE LEVEL 1.
  - △ CONNECTOR TESTED AND QUALIFIED AGAINST TELCORDIA GR-1217-CORE QUALITY LEVEL III, CENTRAL OFFICE APPLICATIONS.
  - △ CONNECTOR LUBRICATED WITH TELCORDIA GR-1217-CORE APPROVED LUBRICANT.
  - △ PLATING SHIELD: μm Au MIN.
  - △ CONTACT AREA: 0,76
  - △ COMPLIANT PIN SECTION: 0,5μm Sn MIN.
  - △ REMAINDER : Ni
  - △ ASSEMBLY PRINTED WITH P/N AND DATECODE
  - △ THE MARKING CAN APPEAR ON THE FRONT SIDE OR BACK SIDE.
  - △ HOLE PATTERN FOR FEMALE CONNECTOR TYPE B-22 COLUMNS 110 PLATED-THROUGH HOLES AT 2x2mm SQUARE GRID
  - △ ROW "f" 11 PLATED THROUGH HOLES FOR UPERSHIELD
  - △ SHIELD MOUNTED ON CONNECTOR WITH DOUBLE SIDED ADHESIVE TAPE OR ADHESIVE.
  - 12 BASIC P.N. LOWERSHIELD : 5352468.

COMPONENT SIDE AS SHOWN  
 RECOMMENDED PCB-HOLE LAY-OUT  
 SCALE 2,5:1



P.C.B. HOLE DIM. COMPLIANT PIN  
 FOR DETAILS SEE  
 APPLICATION SPECIFICATION

THIS DRAWING IS A CONTROLLED DOCUMENT.		DWN J.van Hoek 23AUG2007	Tyco Electronics Corporation	
DIMENSIONS: mm		CHK B.Mooij 23AUG2007	's-Hertogenbosch,5222AR-32	
TOLERANCES UNLESS OTHERWISE SPECIFIED: ±0.2		APVD J.Broeksteeg 23AUG2007	NAME	
6-PLG ±		108-19082		
1-PLG ±		APPLICATION SPEC		
2-PLG ±		114-19029		
3-PLG ±		WEIGHT -		
4-PLG ±		CUSTOMER DRAWING		
ANGLES ±		FINISH		
FINISH		Z-PACK 2mm HM		
		TYPE B - 22 COLUMNS		
		PRE-SHIELDED RECEPTACLE		
SIZE A2	CAGE CODE 00779	DRAWING NO. C=1857997	RESTRICTED TO -	
SCALE 5:1		SHEET 1 OF 1		REV C