

Tous droits strictement reserves. Reproduction ou communication a des tiers interdite sous quelque forme que ce soit sans autorisation écrite du propriétaire. Propriete de c FCI. Droits de reproduction FCI.



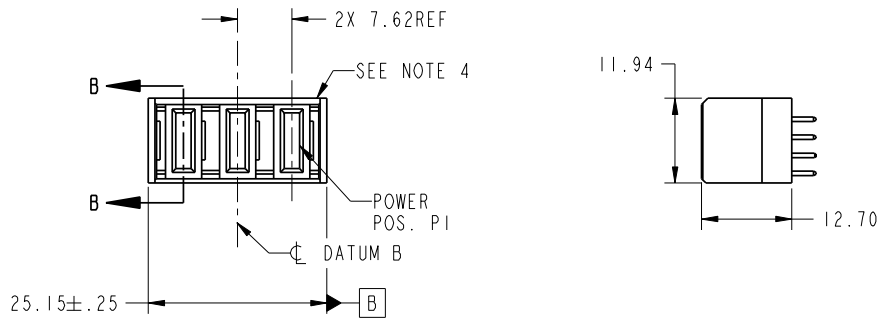
All rights strictly reserved. Reproduction or issue to third parties in any form whatever is not permitted without written authority from the proprietor. Property of FCI. Copyright FCI.

PRODUCT NO.	POWER		
	P3	P2	P1
51940-099-- NOTE: 3	PD	PD	PA

1 | 2

3 |

4



CODE	DIM "M" MATING LENGTH	CONTACT TYPE
PA	[1.07]	POWER
PD	[2.34]	POWER

mat'l code				SEE NOTE		tolerances unless otherwise specified		CUSTOMER		 www.fciconnect.com	
ltr	ecn no.	dr	date	linear	0.X ± 0.3	COPY		projection		title	
A	V04-0800	TAB	08/05/04		0.XX ± 0.13					3ACP VERTICAL SOLDER RECEPT	
B	DG07-0259	JULIA	06/27/07	angles	0.XXX ± 0.051					product family PwrBlade code 213	
				dr	T. BRUNGARD 08/05/04			MM		size	
				enrg	M. GRAY 08/05/04			scale 1:1		dwg no 51940-099	
				chr	M. GRAY 08/05/04					sheet 1 of 4	
				appd	M. GRAY 08/05/04						
sheet index	revision	B	B	B	B						
	sheet	1	2	3	4						

A

A

B

B

1 | 2

3 |

4

Pro/E

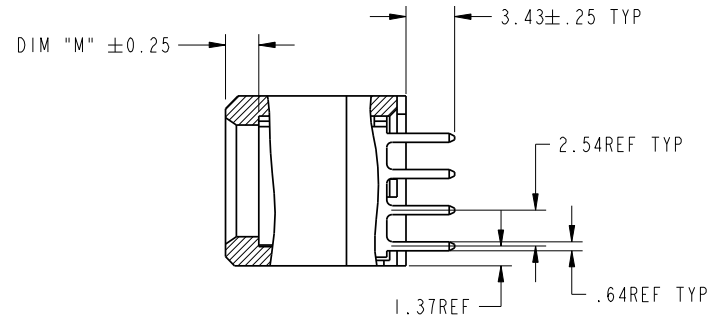
cage code 22526

Tous droits strictement reserves. Reproduction ou communication a des tiers interdite sous quelque forme que ce soit sans autorisation ecrite du propriétaire. Propriete de c FCI. Droits de reproduction FCI.



All rights strictly reserved. Reproduction or issue to third parties in any form whatever is not permitted without written authority from the proprietor. Property of FCI. Copyright FCI.

PRODUCT NUMBER
51940-099__
NOTE: 3



SECTION B-B
SCALE 2:1

mat'l code				SEE NOTE		tolerances unless otherwise specified		CUSTOMER		FCI www.fciconnect.com	
lfr	ecr no.	dr	date	linear	0.X ±0.3	projection		title			
B					0.XX ±0.13			3ACP VERTICAL SOLDER RECEIPT			
				angles	0.XXX ±0.051			product family		PwrBlade	code
				dr	T. BRUNGARD 08/05/04	MM		size		dwg no	213
				enrg	M. GRAY 08/05/04	scale		A		51940-099	sheet
				chr	M. GRAY 08/05/04	1:1					2
				appd	M. GRAY 08/05/04						
sheet index		revision sheet									

cage code 22526

Pro/E

Tous droits strictement reserves. Reproduction ou communication a des tiers interdite sous quelque forme que ce soit sans autorisation écrite du propriétaire. Propriete de c FCI. Droits de reproduction FCI.



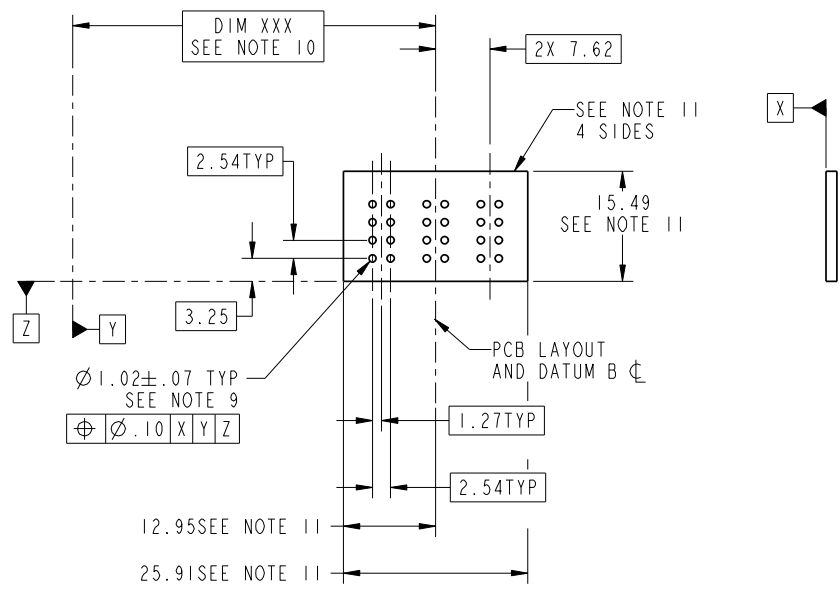
All rights strictly reserved. Reproduction or issue to third parties in any form whatever is not permitted without written authority from the proprietor. Property of FCI. Copyright FCI.

PRODUCT NUMBER
51940-099__
NOTE: 3

1 | 2

3 |

4



mat'l code				SEE NOTE		tolerances unless otherwise specified		CUSTOMER		FCI www.fciconnect.com	
lfr	ecr no.	dr	date	linear	0.X ±0.3	projection		title			
B				angles	0.XX ±0.13	MM		3ACP VERTICAL SOLDER RECEPT			
				dr	0.XXX ±0.051	scale		product family		code	
				enr	0° ±2°	1:1		PwrBlade		213	
				chr	T. BRUNGARD 08/05/04			size		sheet	
				appd	M. GRAY 08/05/04			51940-099		3	
					M. GRAY 08/05/04			A			
sheet index	revision sheet										

A

A

B

B

1 | 2

3 |

4

Pro/E

cage code 22526

Tous droits strictement reserves. Reproduction ou communication a des tiers interdite sous quelque forme que ce soit sans autorisation écrite du propriétaire. Propriete de c FCI. Droits de reproduction FCI.



All rights strictly reserved. Reproduction or issue to third parties in any form whatever is not permitted without written authority from the proprietor. Property of FCI. Copyright FCI.

PRODUCT NUMBER
51940-099__
NOTE: 3

NOTES:

1. DIMENSIONS AND TOLERANCES ARE IN ACCORDANCE WITH ASME Y14.5M, 1994 UNLESS OTHERWISE SPECIFIED.

CONNECTOR NOTES:

- 2 HOUSING MATERIAL: UL 94 V-0 GLASS FILLED
HIGH-TEMP THERMOPLASTIC
POWER CONTACT MATERIAL: COPPER ALLOY
SIGNAL PIN MATERIAL: COPPER ALLOY
 - 3. PLATING SPEC.
51940-099,51940-099LF PLATING SPEC. WAS SHOWN IN THE PRINT OF 10064183.
 - 4 MANUFACTURER'S NAME, P/N, AND DATE CODE TO APPEAR ON THIS SURFACE.
 - 5. PRODUCT SPECIFICATION GS-12-149.
APPLICATION SPECIFICATION BUS-20-067.
 - 6. PACKAGED IN TRAYS.
- PCB NOTES:
- 7. ALL HOLE DIAMETERS ARE FINISHED HOLE SIZE.
 - 8 MOUNTING HOLES, WHERE APPLICABLE, ARE UNPLATED.
 - 9 $\varnothing 1.151 \pm 0.025$ DRILLED HOLES PLATED WITH
0.008 MIN SnPb OR Sn OVER 0.03
TO 0.08 Cu PLATING TO ACHIEVE
 $\varnothing 1.02 \pm .07$ HOLE.
 - 10 "DIM XXX" TO BE DETERMINED BY THE CUSTOMER.
 - 11 CONNECTOR KEEP-OUT ZONE.

mat'l code				SEE NOTE		tolerances unless otherwise specified		CUSTOMER		FCI www.fciconnect.com	
lfr	ecr no.	dr	date	linear	0.X ± 0.3	COPY		projection		title	
B					0.XX ± 0.13					3ACP VERTICAL SOLDER RECEPT	
				angles	0° ± 2°					product family PwrBlade code	
				dr	T. BRUNGARD 08/05/04			scale		size	
				enrg	M. GRAY 08/05/04			1:1		dwg no	
				chr	M. GRAY 08/05/04					51940-099	
				appd	M. GRAY 08/05/04					sheet	
sheet index		revision sheet								4	

cage code 22526

Pro/E