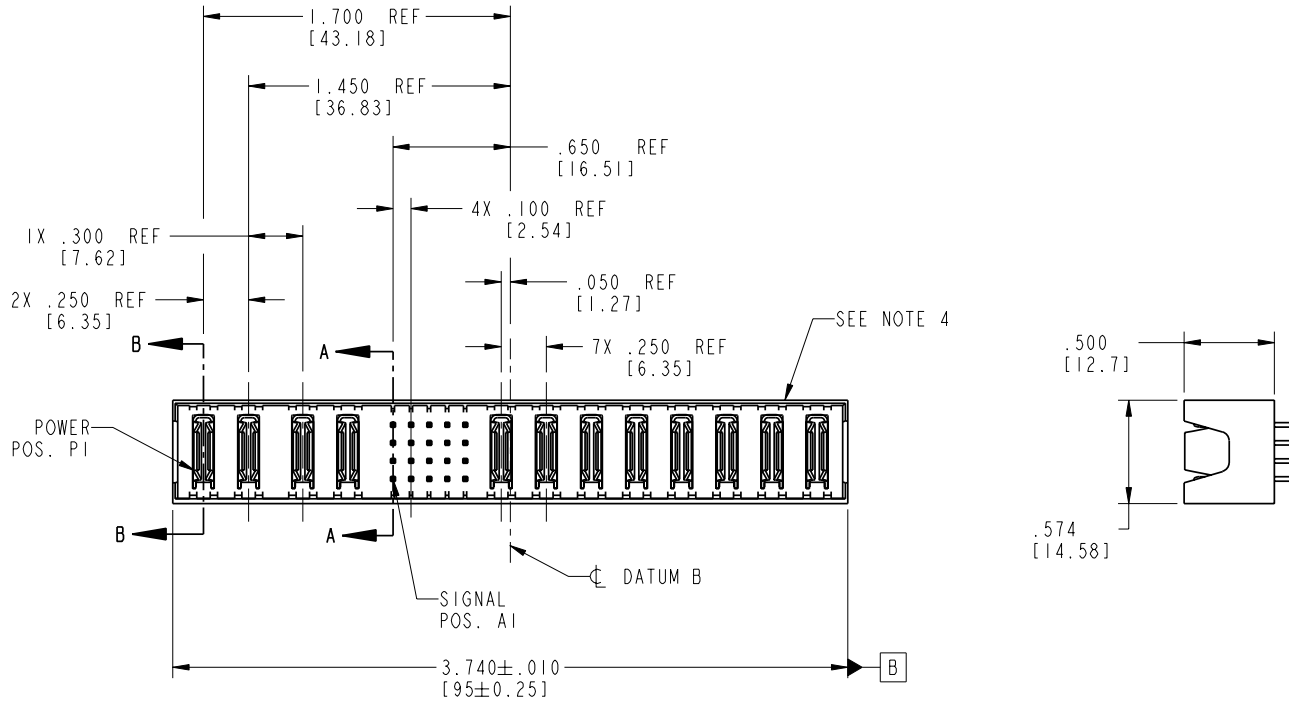


Tous droits strictement réservés. Reproduction ou communication à des tiers interdite sous quelque forme que ce soit sans autorisation écrite du propriétaire. Propriété de c FCI. Droits de reproduction FCI.



All rights strictly reserved. Reproduction or issue to third parties in any form without written authority from the proprietor. Property of FCI. Copyright FCI.

| | | | | | | | | | | | | | | | | | | |
|--|--------------------------|-------|----|----|----|--------|---|---|---|---|-------|----|----|----|----|-----|-----|-----|
| PRODUCT NO. 51952-094-- NOTE (3) | ROWS D C B A | POWER | | | | SIGNAL | | | | | POWER | | | | | | | |
| | | P1 | P2 | P3 | P4 | 1 | 2 | 3 | 4 | 5 | P5 | P6 | P7 | P8 | P9 | P10 | P11 | P12 |
| | | PA | PA | PA | PA | 1 | 2 | 3 | 4 | 5 | PA | PA | PA | PA | PA | PA | PA | PA |



| CODE | DIM "M" MATING LENGTH | CONTACT TYPE |
|------|-----------------------|--------------|
| PA | N/A [N/A] | POWER |
| E | .270 [6.86] | SIGNAL |

| | | | | | | | | | |
|-------------|-----------|------|----------|------------|-----------------------|---------------------------------------|------------|----------|--|
| mat'l code | | | | SEE NOTE 2 | | tolerances unless otherwise specified | | CUSTOMER | |
| lir | ecn no. | dr | date | linear | .XX±.01/0.X±0.3 | | COPY | | |
| A | DG06-0137 | RYAN | 03/29/06 | | .XXX±.005/0.XX±0.13 | | projection | | |
| | | | | angles | .XXX±.002/0.XXX±0.051 | | INCH/MM | | |
| | | | | dr | RYAN YUAN | 03/29/06 | scale | | |
| | | | | enrg | SALLY LUO | 03/29/06 | 1:1 | | |
| | | | | chr | BEER FU | 03/29/06 | | | |
| | | | | appd | JOSEPH HSIA | 03/29/06 | | | |
| sheet index | revision | A | A | A | A | | | | |
| | sheet | 1 | 2 | 3 | 4 | | | | |

| | | | |
|----------------|--|--------------------|--|
| A FCI | | www.fciconnect.com | |
| title | | 4P + 20S + 8P | |
| product family | | PwrBlade | |
| size | | A | |
| dwg no | | 51952-094 | |
| code | | 213 | |
| sheet | | 1 of 4 | |

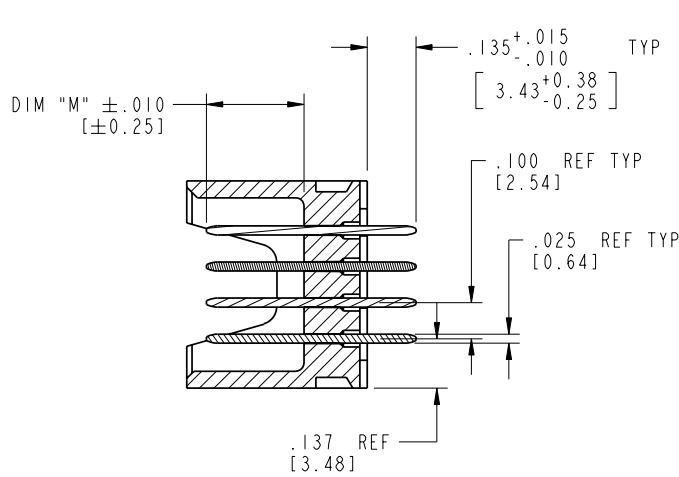
| | | | | | |
|-------------|----------|---|---|---|---|
| sheet index | revision | A | A | A | A |
| | sheet | 1 | 2 | 3 | 4 |

| | |
|-----------|-------|
| cage code | 22526 |
|-----------|-------|

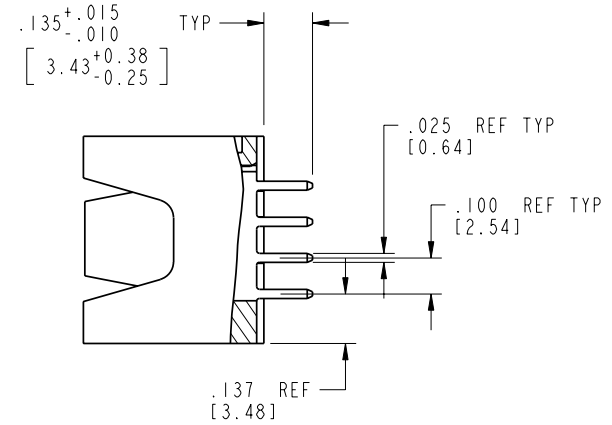
Tous droits strictement reserves. Reproduction ou communication a des tiers interdite sous quelque forme que ce soit sans autorisation écrite du propriétaire. Propriete de c FCI. Droits de reproduction FCI.

All rights strictly reserved. Reproduction or issue to third parties in any form without is not permitted without written authority from the proprietor. Property of FCI. Copyright FCI.

PRODUCT NUMBER
51952-094__
NOTE (3)



SECTION A-A
SCALE 2:1



SECTION B-B
SCALE 2:1

| | | | | | | | | | | | | |
|-------------|---------|----------------|------|------------|-----------------------|---------------------------------------|--|----------------------|------------------------|------------------------|------|--------|
| mat'l code | | | | SEE NOTE 2 | | tolerances unless otherwise specified | | CUSTOMER | | www.fciconnect.com | | |
| lfr | ecn no. | dr | date | linear | .XX±.01/0.X±0.3 | COPY | | projection | title | | | |
| D | | | | | .XXX±.005/0.XX±0.13 | | | | 4P + 20S + 8P | | | |
| | | | | angles | .XXX±.002/0.XXX±0.051 | | | | VERTICAL SOLDER HEADER | | | |
| | | | | dr | 0°±2° | RYAN YUAN 03/29/06 | | INCH/MM scale 1:1 | product family | | code | |
| | | | | enrg | | SALLY LUO 03/29/06 | | | PwrBlade | | 213 | |
| | | | | chr | | BEER FU 03/29/06 | | | size | dwg no | | sheet |
| | | | | appd | | JOSEPH HSIA 03/29/06 | | | A | 51952-094 | | 2 of 4 |
| sheet index | | revision sheet | | | | | | | | | | |

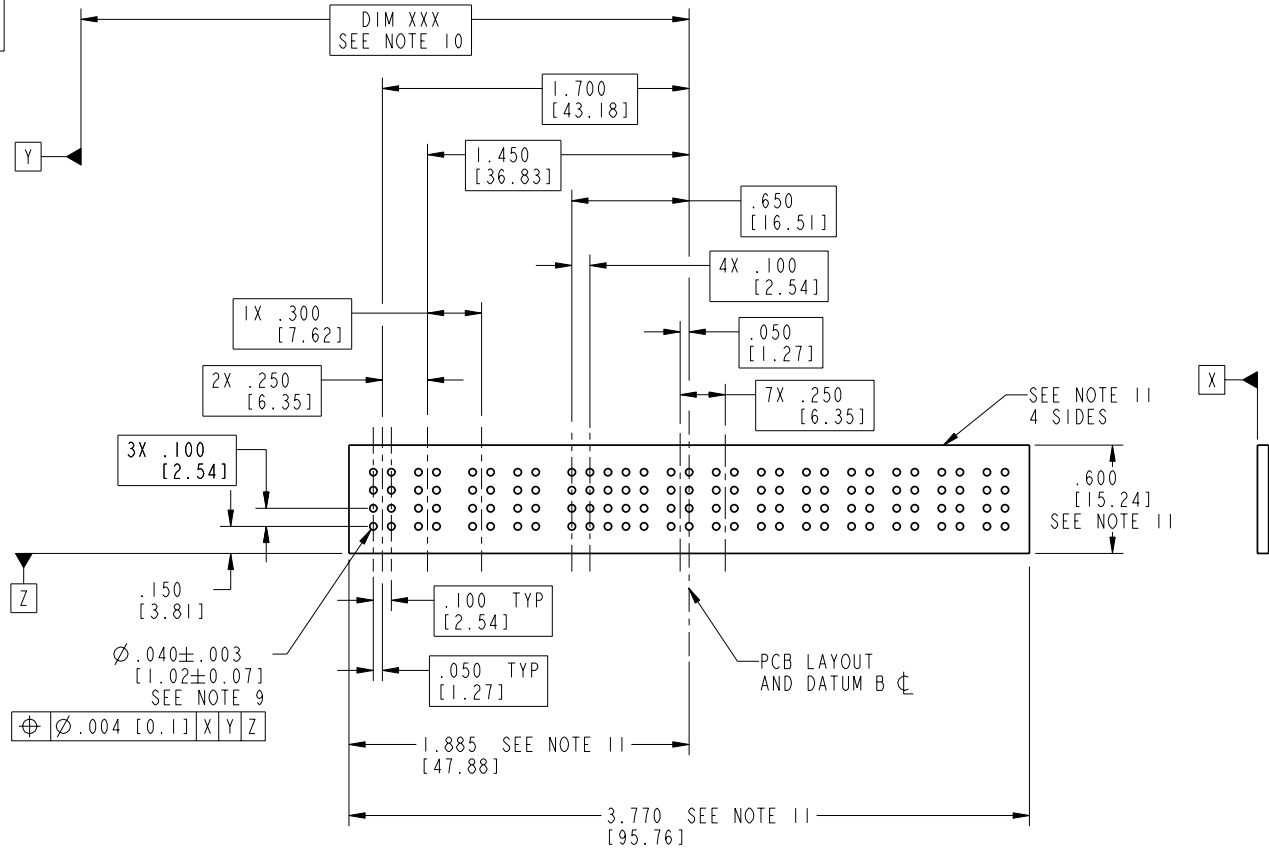
cage code 22526

Pro/E

Tous droits strictement reserves. Reproduction ou communication a des tiers interdite sous quelque forme que ce soit sans autorisation écrite du propriétaire. Propriete de c FCI. Droits de reproduction FCI.

All rights strictly reserved. Reproduction or issue to third parties in any form without written authority from the proprietor. Property of FCI. Copyright FCI.

PRODUCT NUMBER
51952-094__
NOTE ③



| | | | | | | | | | |
|-------------|----------------|------------|------|---------------------------------------|-----------------------|----------------------|--|------------------------|------------------------|
| mat'l code | | SEE NOTE 2 | | tolerances unless otherwise specified | | CUSTOMER | | www.fciconnect.com | |
| lfr | ecn no. | dr | date | linear | .XX±.01/0.X±0.3 | COPY | | projection | title |
| D | | | | | .XXX±.005/0.XX±0.13 | | | | 4P + 20S + 8P |
| | | | | angles | .XXX±.002/0.XXX±0.051 | | | | VERTICAL SOLDER HEADER |
| | | | | dr | 0° ± 2° | RYAN YUAN 03/29/06 | | INCH/MM | product family |
| | | | | enrg | | SALLY LUO 03/29/06 | | scale | PwrBlade |
| | | | | chr | | BEER FU 03/29/06 | | 1:1 | code |
| | | | | appd | | JOSEPH HSIA 03/29/06 | | | 213 |
| sheet index | revision sheet | | | | | | | | size |
| | | | | | | | | | dwg no |
| | | | | | | | | | 51952-094 |
| | | | | | | | | | 3 of 4 |

cage code 22526

Tous droits strictement réservés. Reproduction ou communication à des tiers interdite sans quelque forme que ce soit sans autorisation écrite du propriétaire. Propriété de c FCI. Droits de reproduction FCI.



All rights strictly reserved. Reproduction or issue to third parties in any form whatever is not permitted without written authority from the proprietor. Property of FCI. Copyright FCI.

1 | 2

3 |

4

PRODUCT NUMBER
51952-094__
NOTE ③

NOTES:

1. DIMENSIONS AND TOLERANCES ARE IN ACCORDANCE WITH ASME Y14.5M, 1994 UNLESS OTHERWISE SPECIFIED.

CONNECTOR NOTES:

- ② HOUSING MATERIAL: UL 94 V-0 GLASS FILLED HIGH-TEMP THERMOPLASTIC
POWER CONTACT MATERIAL: COPPER ALLOY
SIGNAL PIN MATERIAL: COPPER ALLOY
- 3. PLATING:
SEE PRINT 10064183 FOR PLATING SPEC OF 51952-094; 51952-094LF
- 4. MANUFACTURER'S NAME, P/N AND DATE CODE TO APPEAR ON THE HOUSING SURFACE.
- 5. PRODUCT SPECIFICATION GS-12-149.
APPLICATION SPECIFICATION BUS-20-067.
- 6. PACKAGED IN TRAYS.

PCB NOTES:

- 7. ALL HOLE DIAMETERS ARE FINISHED HOLE SIZE.
- 8. MOUNTING HOLES, WHERE APPLICABLE, ARE UNPLATED.
- ⑨ $\varnothing .0453 \pm .0010$ [1.151 \pm 0.025] DRILLED HOLES PLATED WITH
.0003 [0.008] MIN SnPb OVER .001 [0.03]
TO .003 [0.08] Cu PLATING TO ACHIEVE
 $\varnothing .040 \pm .003$ [1.02 \pm .07] HOLE.
- ⑩ "DIM XXX" TO BE DETERMINED BY THE CUSTOMER.
- ⑪ CONNECTOR KEEP-OUT ZONE.

| | | | | | | | | | | | | |
|-------------|---------|----------------|------|------------|------------------------|---------------------------------------|------------|----------------|---|------------------------|-----------|------|
| mat'l code | | | | SEE NOTE 2 | | tolerances unless otherwise specified | | CUSTOMER | | www.fciconnect.com | | |
| lfr | ecr no. | dr | date | linear | .XX±.01/0.X±0.3 | | projection | COPY | | title | | |
| D | | | | | .XXX±.005/0.XX±0.13 | | | | | 4P + 20S + 8P | | code |
| | | | | angles | .XXX±.0020/0.XXX±0.051 | | INCH/MM | product family | | VERTICAL SOLDER HEADER | | |
| | | | | dr | 0° ± 2° | | | PwrBlade | | 213 | | |
| | | | | engr | RYAN YUAN 03/29/06 | | | size | | sheet | | |
| | | | | chr | SALLY LUO 03/29/06 | | | scale | | 4 of 4 | | |
| | | | | appd | BEER FU 03/29/06 | | 1:1 | | A | | 51952-094 | |
| | | | | | JOSEPH HSIA 03/29/06 | | | | | | | |
| sheet index | | revision sheet | | | | | | | | | | |

1 | 2

Pro/E

3 |

cage code 22526

4