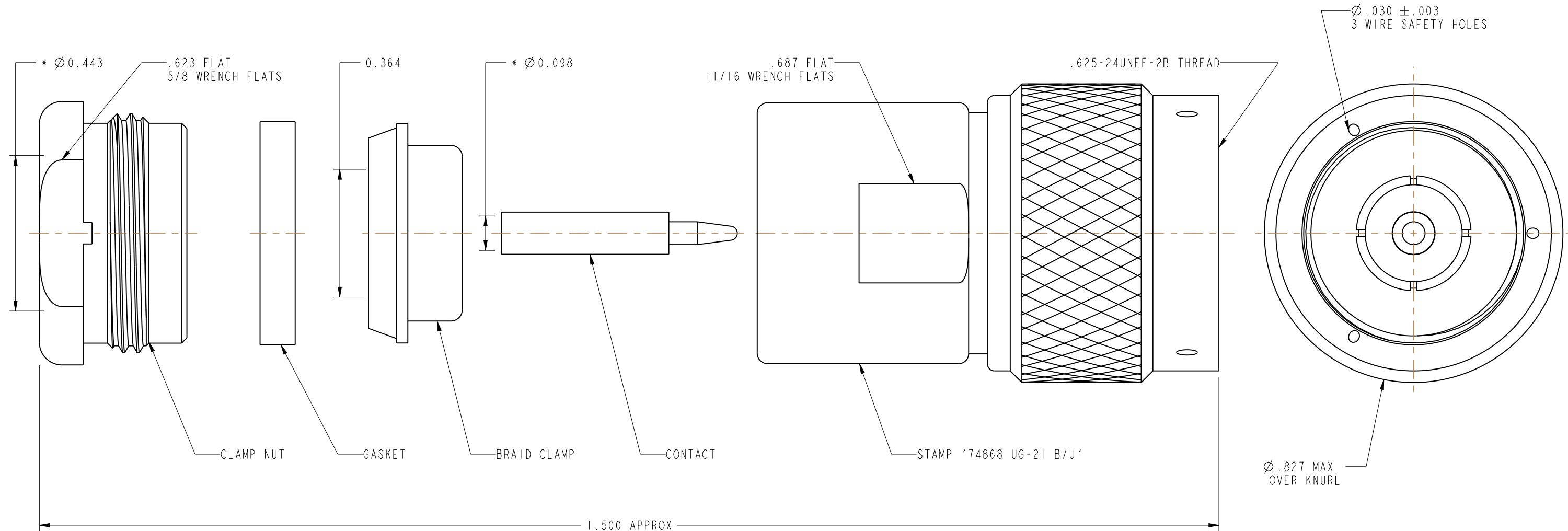


NOTES:

1. MATERIALS AND FINISHES:
 BODY - BRASS, NICKEL PLATING (.000XXX THICK)
 CONTACT - BRASS, GOLD PLATING (.000XXX THICK)
 INSULATOR - PTFE
2. ELECTRICAL:
 A. IMPEDANCE: 500HM
 B. DIELECTRIC WITHSTANDING VOLTAGE: 3000 VRMS, MIN.
3. MECHANICAL:
 A. DURABILITY: 500 CYCLES MIN.
 B. TEMPERATURE RANGE: -65° C TO +165° C
4. PACKAGING:
 A. QUANTITY: SINGLE PACK
 B. MARKING: BAG TO BE MARKED
 "AMPHENOLRF, 82-61, AND DATE CODE"
5. ASTERISK (*) SHOWS CABLE ENTRY DIMENSIONS.

82-61		REVISIONS			
DRAWING NO.	REV	DESCRIPTION	DATE	ECO	APPR
THIRD ANGLE PROJ.	--	RELEASE TO MFG	-----	-----	-----
	AC	REDRAWN IN PRO-E, ADDED COD	1/14/13	48616	KR



CUSTOMER OUTLINE DRAWING

ALL OTHER SHEETS ARE FOR INTERNAL USE ONLY

UNLESS OTHERWISE SPECIFIED, DIMENSIONS ARE IN INCHES AND TOLERANCES ARE: 2 PLACE DECIMAL ±.015 (0,381 mm) 3 PLACE DECIMAL ±.005 (0,127 mm) ANGLES ± 1°	MATERIAL	DRAWN KARTHIK R	DATE 07-Jan-10	TITLE PLUG TYPE 'N' UG-21 B/U	Amphenol RF Danbury, CT, USA Tainan, Taiwan Shenzhen, China www.amphenolrf.com
	REFERENCE	ENGINEER KARTHIK R	DATE 07-Jan-10		
NOTICE - These drawings, specifications, or other data (1) are, and remain the property of Amphenol Corp. (2) must be returned upon request; and (3) are confidential and not to be disclosed to any person other than those to whom they are given by Amphenol Corp. The furnishing of these drawings, specifications, or other data by Amphenol Corp., or to any other person to anyone for any purpose is not to be regarded by implication or otherwise in any manner licensing, granting rights or permitting such holder or any other person to manufacture, use or sell any product, process or design, patented or otherwise, that may in any way be related to or disclosed by said drawings, specifications, or other data.		APPROVED K. CAPOZZI	DATE 1/14/13		SCALE: 3.5:1 SHEET 2 OF 2
		CAD FILE Root Folder/N/82-61	CODE ID 74868	DWG SIZE B	DRAWING NO. 82-61