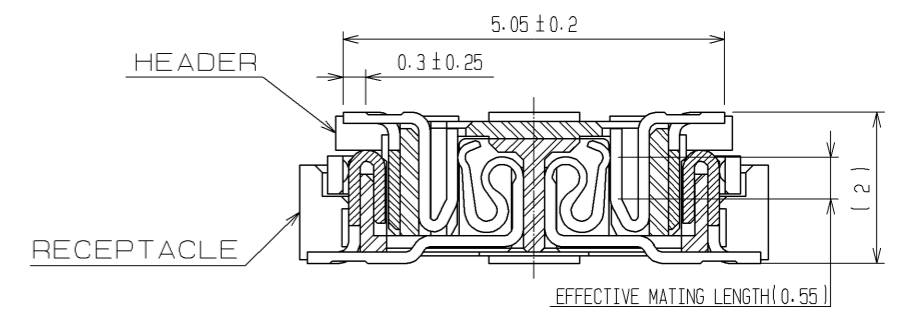
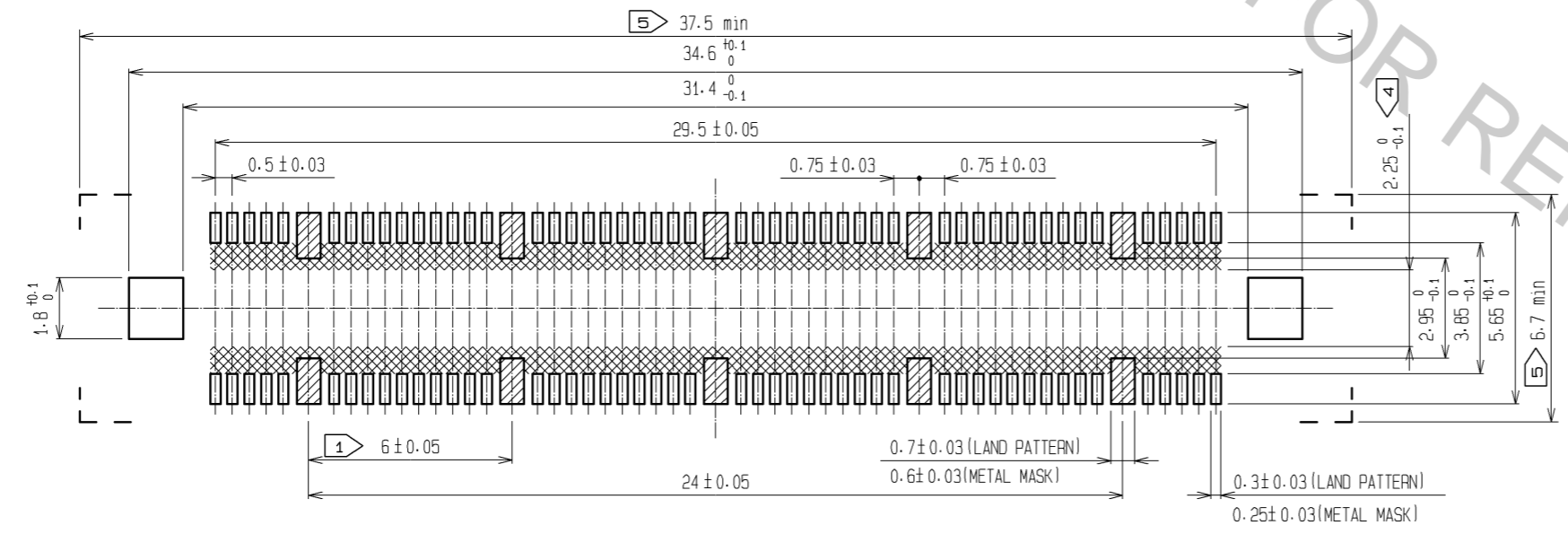


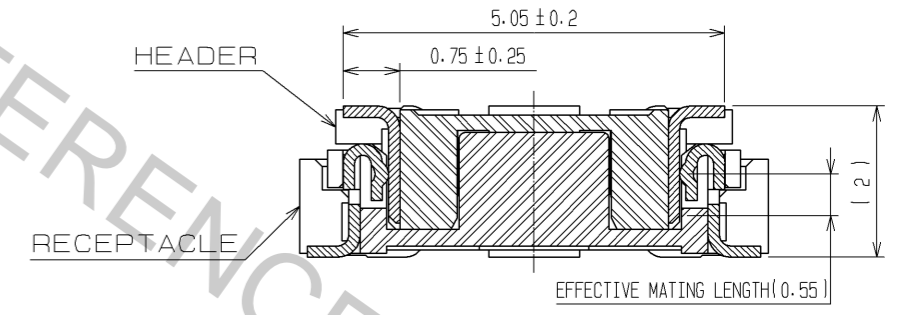
SIGNAL PORTION CROSS SECTION (10:1)



RECOMMENDED LAND PATTERN DIMENSION OF PCB



GROUND PORTION CROSS SECTION (10:1)



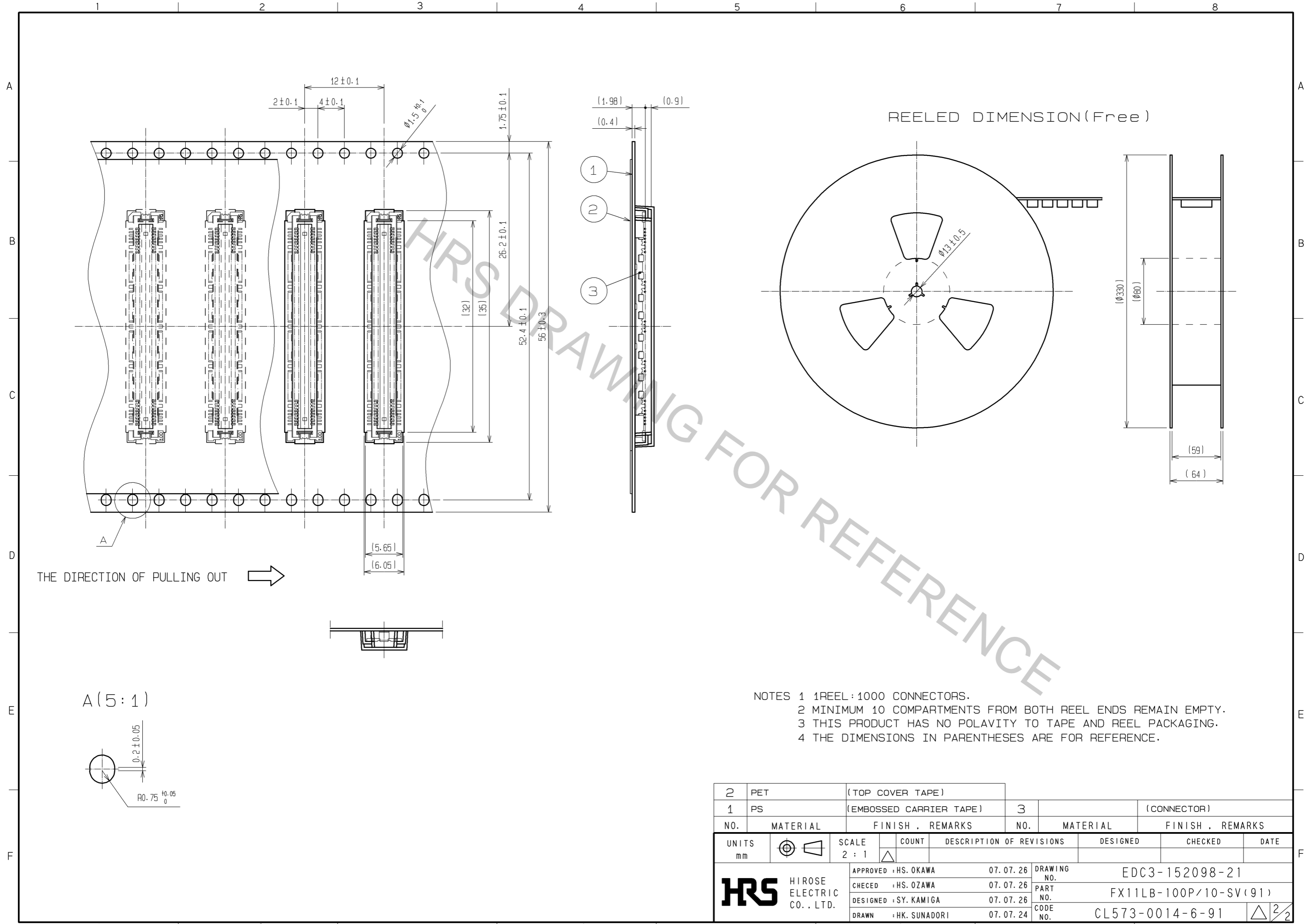
- NOTES
- ① 10 HATCHED PARTS: GROUND CIRCUIT.
  - ② SMT LEAD-COPLANARITY: 0.1 MAX.
  - ③ THIS PRODUCT HAS NO POLARITY TO PATTERN FOR MOUNTING.
  - ④ MAKE SURE WIDTH OF PATTERN IS WITHIN THAT OF LAND, OR LEAD MAY TOUCH PATTERN. (THIS APPLIES TO HATCHED AREA.)
  - ⑤ DO NOT MOUNT OTHER DEVICES ONTO AREA, OR MATING PAIR CANNOT BE MATED.
  - ⑥ TO BE EMBOSSED CARRIER TAPED AS SPECIFIED IN SHEET 2.
  - ⑦ THE DIMENSIONS IN PARENTHESES ARE FOR REFERENCE.

1	LCP	BEIGE	UL94V-0	4	PHOSPHOR BRONZE	TIN PLATING
NO.	MATERIAL	FINISH	REMARKS	NO.	MATERIAL	FINISH
				3	PHOSPHOR BRONZE	TIN PLATING
				2	COPPER ALLOY	CONTACT AREA : GOLD 0.1μm min. LEAD AREA : GOLD FLASH UNDER PLATING : NICKEL 1μm min.

UNITS	SCALE	COUNT	DESCRIPTION OF REVISIONS	DESIGNED	CHECKED	DATE
mm	5:1	△				
APPROVED : HS. OKAWA			07.07.26	DRAWING NO. EDC3-152098-21		
CHECKED : HS. OZAWA			07.07.26	PART NO. FX11LB-100P/10-SV(91)		
DESIGNED : SY. KAMIGA			07.07.26	CODE NO. CL573-0014-6-91		
DRAWN : HK. SUNADORI			07.07.24	1/2		

Apr.1.2017 Copyright 2017 HIROSE ELECTRIC CO., LTD. All Rights Reserved.



REELED DIMENSION(Free)

- NOTES 1 1 REEL : 1000 CONNECTORS.  
 2 MINIMUM 10 COMPARTMENTS FROM BOTH REEL ENDS REMAIN EMPTY.  
 3 THIS PRODUCT HAS NO POLARITY TO TAPE AND REEL PACKAGING.  
 4 THE DIMENSIONS IN PARENTHESES ARE FOR REFERENCE.

2	PET	(TOP COVER TAPE)				
1	PS	(EMBOSSED CARRIER TAPE)	3		(CONNECTOR)	
NO.	MATERIAL	FINISH . REMARKS	NO.	MATERIAL	FINISH . REMARKS	
UNITS	mm	SCALE	COUNT	DESCRIPTION OF REVISIONS		DESIGNED
		2 : 1	△			CHECKED
				DATE		
<b>HIROSE ELECTRIC CO., LTD.</b>		APPROVED : HS. OKAWA	07.07.26	DRAWING NO. EDC3-152098-21		
		CHECED : HS. OZAWA	07.07.26	PART NO. FX11LB-100P/10-SV(91)		
		DESIGNED : SY. KAMIGA	07.07.26	CODE NO. CL573-0014-6-91		
		DRAWN : HK. SUNADORI	07.07.24			△ 2/2