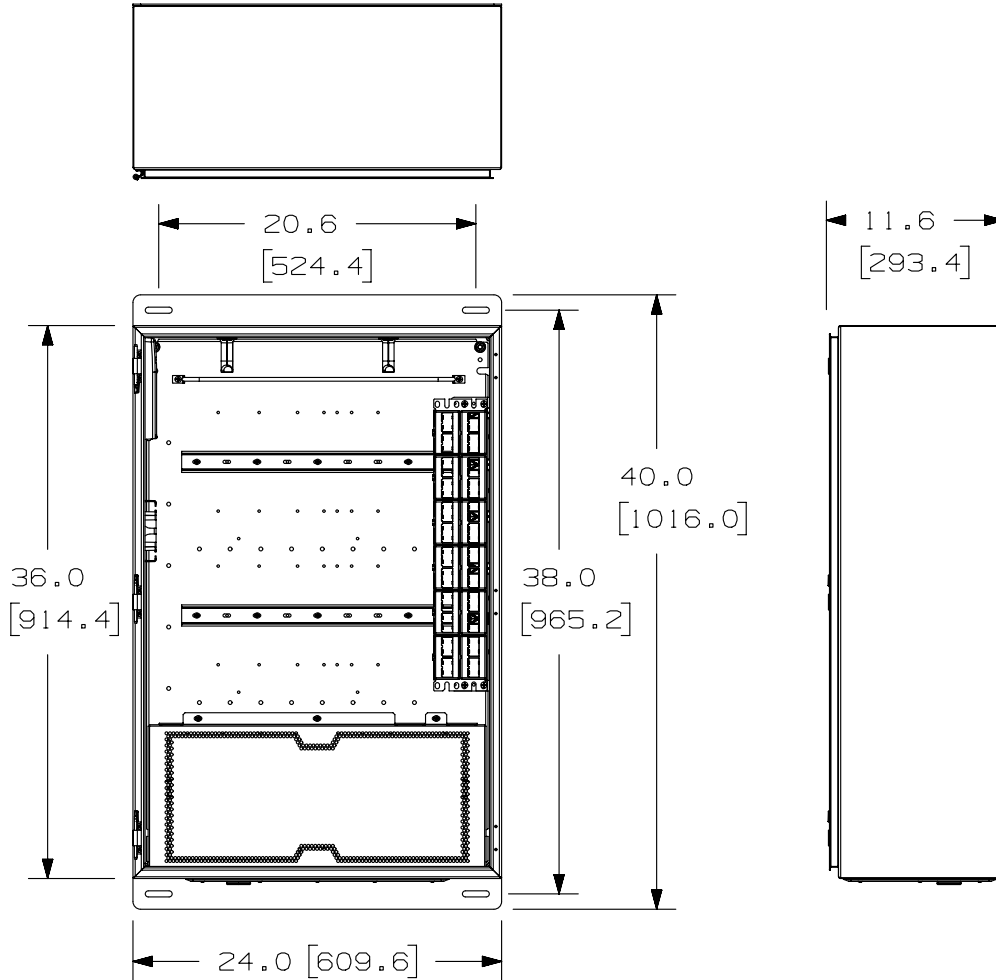


THIS COPY IS PROVIDED ON A RESTRICTED BASIS AND IS NOT TO BE USED IN ANY WAY DETRIMENTAL TO THE INTERESTS OF PANDUIT CORP.



WIDTH	HEIGHT	DEPTH	WEIGHT
24.0"	36.0"	12.0"	95 LBS 43 KG

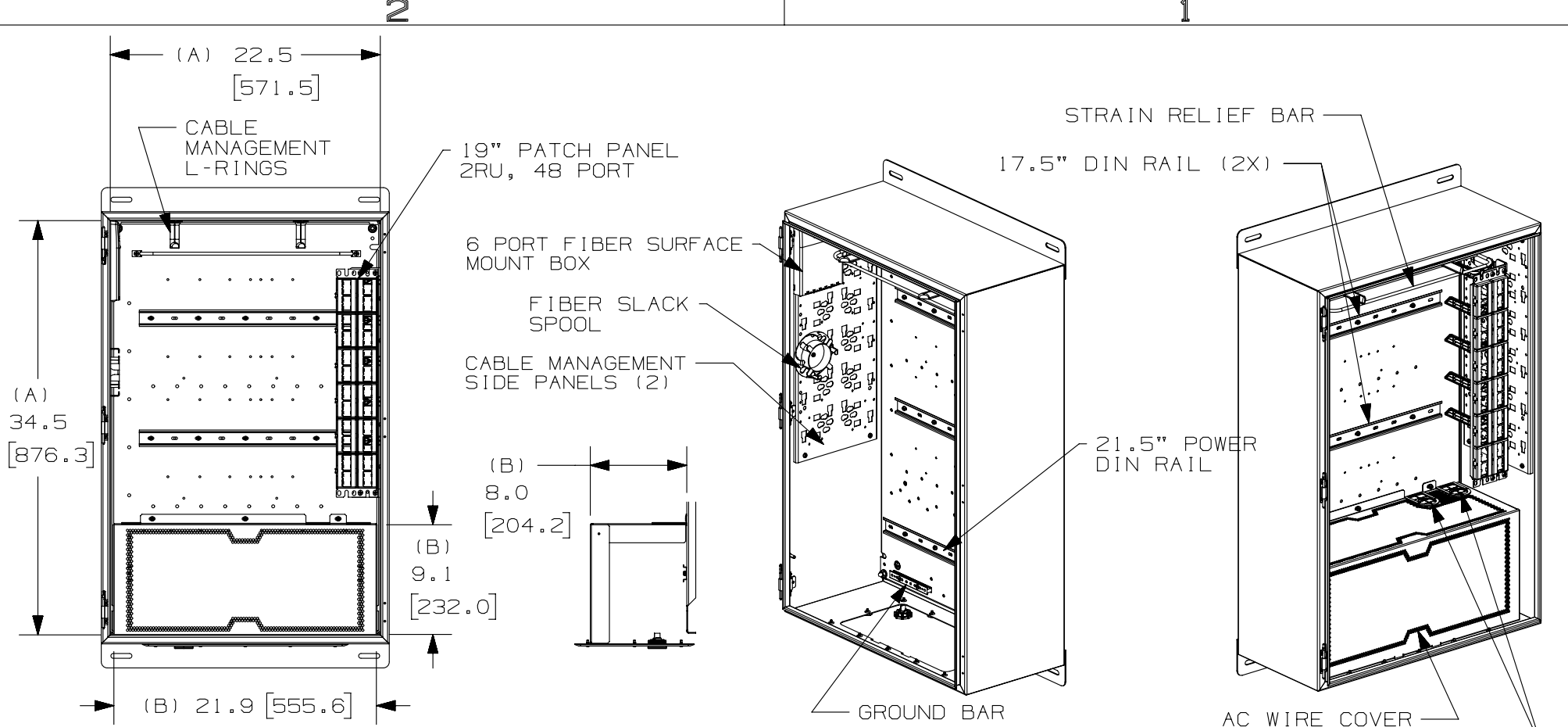
PANDUIT P/N	ENCLOSURE TYPE	DOWNLINK PATCH CORDS TYPE
Z23C-6	316 STAINLESS	UTP COPPER
Z23C-6S	316 STAINLESS	STP COPPER
Z23C-5	4/12 STEEL	UTP COPPER
Z23C-5S	4/12 STEEL	STP COPPER

NOTES:

- DIMENSIONS IN PARENTHESES ARE IN METRIC.
- ENCLOSURE INCLUDES:
 - 2- CABLE MANAGEMENT SIDE PANELS
 - 1- TOP SLACK PLATE
 - 1- BLANK GLAND PLATE
 - 1- 1/2" CONDUIT PLUG FOR POWER ENTRY
 - 2- EXTERNAL MOUNT ANGLES
 - 1- AC WIRING COVER
 - 2- DIN RAIL FOR SWITCHES (17.5")
 - 1- DIN RAIL FOR POWER (21.5")
 - 1- FIBER SLACK SPOOL
 - 1- STRAIN RELIEF BAR
 - 1- 19", 2 RACK UNIT PATCH PANEL
 - 1- 6 PORT FIBER SURFACE MOUNT BOX
 - 9- CABLE MANAGEMENT L RINGS
 - 1- GROUND BAR
 - 16- CAT 6 COPPER PATCH CORD, 3FT
 - 16- CAT 6 MINI-COM COPPER MODULES
 - 4- LC FIBER OPTIC PATCH CORDS, 1M
 - 6- LC FIBER OPTIC ADAPTER MODULES
- THE PRE-CONFIGURED ZONE SYSTEM IS WALL MOUNTABLE WITH THE OPTION TO USE OUTSIDE FLANGES WHICH ARE INCLUDED.
- 316 STAINLESS STEEL ENCLOSURES ARE RATED NEMA 4X.
- ALL ENCLOSURES ARE UL TYPE 4/12 AND IP66 RATED.
- STEEL AND STAINLESS STEEL ENCLOSURES ARE MADE FROM 16 GAUGE STEEL

REV	DATE	BY	CHK	APR	DESCRIPTION	ECN
01A	12/17/14	NWW	DAJP	TIMH	REVISED NOTES	13V366AG
00A	9/17/14	RHG	NWW	TIMH	RELEASED TO CUSTOMER	13V366AG

TITLE		Z23C - ** PRE-CONFIGURED ZONE ENCLOSURE CUSTOMER DRAWING	
ITEM REVISION NAME		13V366AG/01	
DATASET FILE NAME		13V366AG_DC/01A	
UNLESS OTHERWISE SPECIFIED, DIMENSIONAL TOLERANCES ARE: IN (mm)		MATERIAL: SEE TABLE	
.x ± .1 [2.54] .xxx ± .005 [.127]		DRAWING NUMBER: 13V366AG	
.xx ± .01 [.25] ANGLES ± 5 °		THIRD ANGLE PROJECTION	
DRAWN BY	DATE	CHK	SCALE
RHG	9/17/14	NWW	2:25
SHT 1 OF 2			SIZE A



(A) DIRECT WALL MOUNT HOLE LOCATIONS
DOOR REMOVED FOR CLARITY
(B) DIMENSIONS UNDER THE AC WIRE COVER
AND OVER THE MOUNT PLATE

REV	DATE	BY	CHK	APR	DESCRIPTION	ECN
01A	12/17/14	NWW	DAJP	TIMH	REFER TO SHEET 1	13V366AG
00A	9/17/14	RHG	NWW	TIMH	REFER TO SHEET 1	13V366AG

TITLE		Z23C - ** PRE-CONFIGURED ZONE ENCLOSURE CUSTOMER DRAWING	
ITEM REVISION NAME		13V366AG/01	
DATASET FILE NAME		13V366AG_DC/01A	
UNLESS OTHERWISE SPECIFIED, DIMENSIONAL TOLERANCES ARE: IN [mm]		MATERIAL: SEE TABLE	
.x ± .1 [2.54]		.xxx ± .005 [.127]	
.xx ± .01 [.25]		ANGLES ± 5°	
DRAWN BY: RHG		DATE: 9/17/14	
CHK: NWW		SCALE: 2:25	
DRAWING NUMBER: 13V366AG		SHT 2 OF 2	
THIRD ANGLE PROJECTION		SIZE: A	