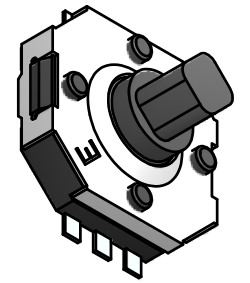
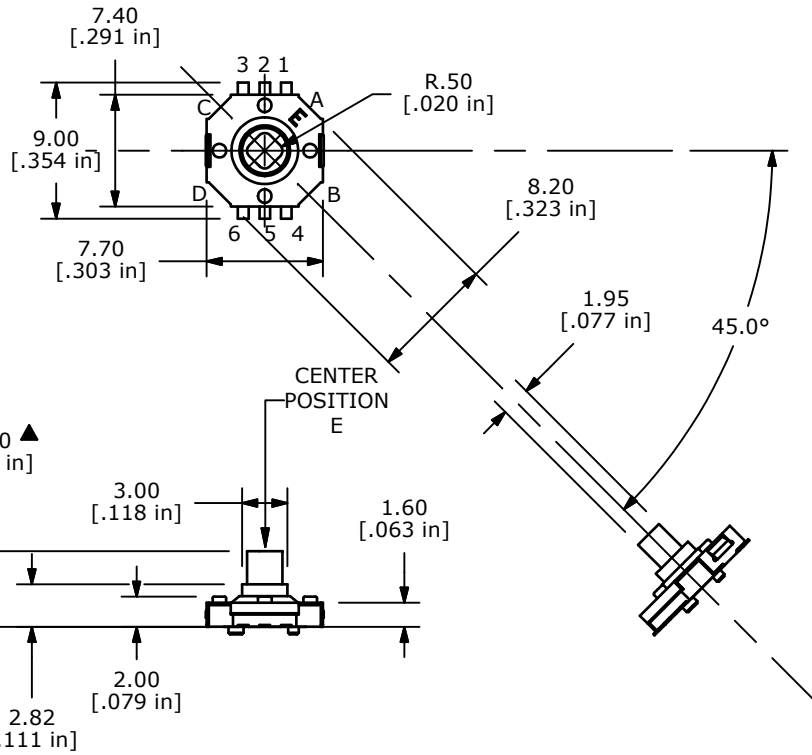


▲ CIRCUIT DIAGRAM

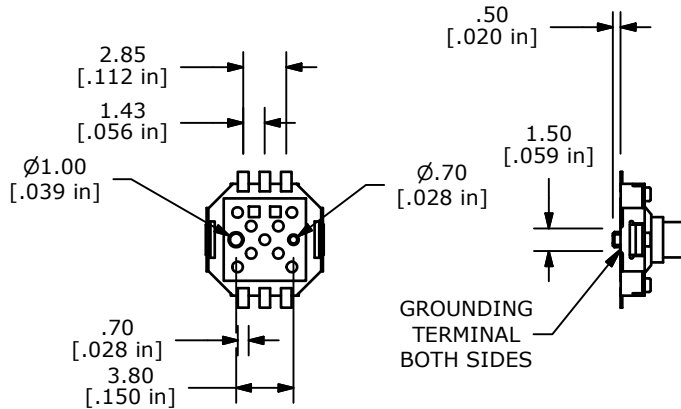
OPERATING POSITION	CIRCUIT
A	⑤-①
B	⑤-④
C	⑤-③
D	⑤-⑥
CENTER PUSH	⑤-②

NOTES:

1. RATING: 12V DC 50mA MAX.
2. CONTACT RESISTANCE: 100 milli OHMS MAX.
3. OPERATING FORCES:
 CENTER PUSH: 360 ± 60gf
 STROKE: 0.25 +0.1/-0.2 mm
 4-WAY DIRECTION: 160 ± 50gf
 TRAVEL: 5° +2.5°/-1°
4. LIFE CYCLES: 100,000
5. INSULATION RESISTANCE 100M OHMS@100VDC
6. DIELECTRIC STRENGTH: 250VAC FOR 1 MINUTE.
7. OPERATING TEMPERATURE: -25°C TO +70°C
8. STORAGE TEMPERATURE: -40°C TO +85°C
9. GENERAL TOLERANCE: ± 0.3
10. 2002/95/EC (ROHS) COMPLIANT
11. ▲ DENOTES CRITICAL PARAMETER.



ISOMETRIC



REV	PCR NO	DESCRIPTION	DATE	BY
C	19637	DRAWING UPDATES	02/07/11	BMA
B	19286	REVISE CIRCUIT TABLE FOR 'C' AND 'D'	9/2/10	BLR
A	19179	Release For Production	7/2/10	BLR

TITLE JS1400BFQ				
SCALE	DATE	DR	DWG	REV
2 : 1	9/2/2010	BLR	N211128	C

THE INFORMATION CONTAINED IN THIS DOCUMENT IS PROPRIETARY TO E-SWITCH AND IS NOT TO BE COPIED OR TRANSFERRED