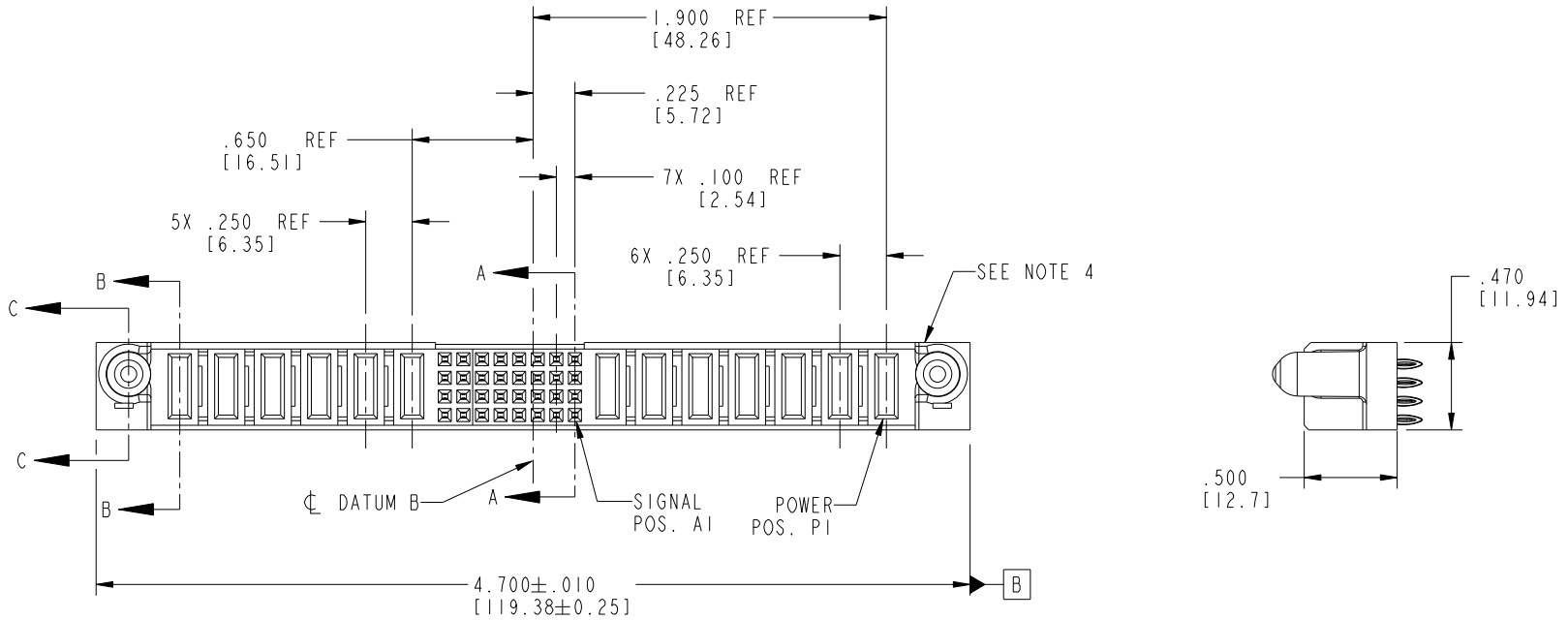


Tous droits strictement réservés. Reproduction ou communication a des tiers interdite sous quelque forme que ce soit sans autorisation écrite du propriétaire. Propriété de c FCI. Droits de reproduction FCI.

All rights strictly reserved. Reproduction or issue to third parties in any form whatever is not permitted without written authority from the proprietor. Property of FCI. Copyright FCI.



|                                      |                          |       |     |     |     |     |    |    |        |   |   |   |   |   |   |   |       |    |    |    |    |    |    |    |
|--------------------------------------|--------------------------|-------|-----|-----|-----|-----|----|----|--------|---|---|---|---|---|---|---|-------|----|----|----|----|----|----|----|
| PRODUCT NO.<br>51750-070--<br>NOTE 3 | ROWS<br>D<br>C<br>B<br>A | POWER |     |     |     |     |    |    | SIGNAL |   |   |   |   |   |   |   | POWER |    |    |    |    |    |    | E1 |
|                                      |                          | E2    | P13 | P12 | P11 | P10 | P9 | P8 | 8      | 7 | 6 | 5 | 4 | 3 | 2 | 1 | P7    | P6 | P5 | P4 | P3 | P2 | P1 |    |
|                                      |                          |       | PF  | PF  | PC  | PC  | PF | PF | F      | F | F | F | F | F | F | F | PF    | PF | PF | PF | PC | PC | PC |    |



| CODE | DIM "M" MATING LENGTH | CONTACT TYPE |
|------|-----------------------|--------------|
| PF   | .092 [2.34]           | POWER        |
| F    | N/A [N/A]             | SIGNAL       |
| PC   | .042 [1.07]           | POWER        |

|            |           |            |          |                                       |                        |          |  |                          |  |
|------------|-----------|------------|----------|---------------------------------------|------------------------|----------|--|--------------------------|--|
| mat'l code |           | SEE NOTE 2 |          | tolerances unless otherwise specified |                        | CUSTOMER |  |                          |  |
| ltr        | ecn no.   | dr         | date     | linear                                | .XX±.01/0.X±0.3        | COPY     |  | www.fciconnect.com       |  |
| A          | DG05-0221 | LH         | 07/13/05 | projection                            | .XXX±.005/0.XX±0.13    | INCH/MM  |  | title 7P + 32S + 6P      |  |
| B          | DG08-0251 | WD         | 09/13/08 | angles                                | .XXX±.0020/0.XXX±0.051 | 1:1      |  | VERTICAL PRESSFIT RECEPT |  |
|            |           |            |          | dr                                    | LH 07/13/05            | scale    |  | product family PwrBlade  |  |
|            |           |            |          | engr                                  | LH 07/13/05            |          |  | code 213                 |  |
|            |           |            |          | chr                                   | VICTOR LIN 07/13/05    |          |  | size                     |  |
|            |           |            |          | appd                                  | JOSEPH HSIA 07/13/05   |          |  | dwg no                   |  |
|            |           |            |          | sheet index                           | B 1                    |          |  | A 51750-070              |  |
|            |           |            |          | revision sheet                        | B 2                    |          |  | sheet 1 of 4             |  |
|            |           |            |          |                                       | B 3                    |          |  |                          |  |
|            |           |            |          |                                       | B 4                    |          |  |                          |  |

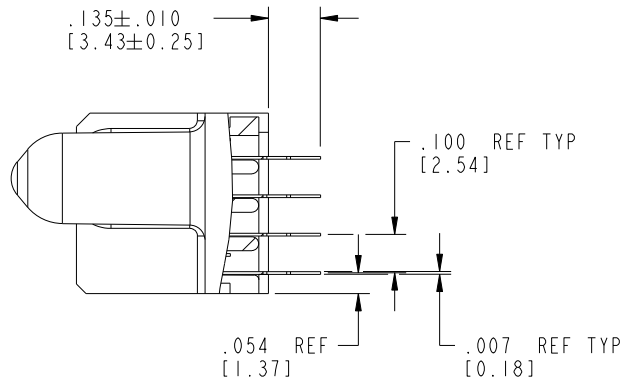
Tous droits strictement réservés. Reproduction ou communication a des tiers interdite sous quelque forme que ce soit sans autorisation écrite du propriétaire. Propriete de c FCI. Droits de reproduction FCI.

All rights strictly reserved. Reproduction or issue to third parties in any form whatever is not permitted without written authority from the proprietor. Property of FCI. Copyright FCI.

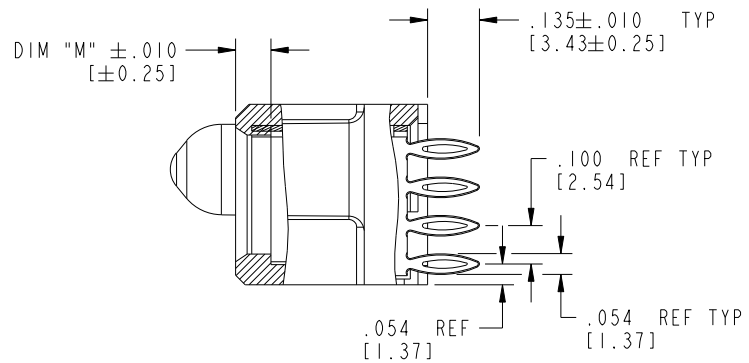


PRODUCT NUMBER

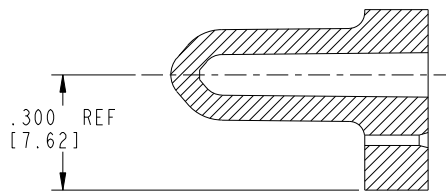
51750-070  
NOTE ③



SECTION A-A  
SCALE 2:1



SECTION B-B  
SCALE 2:1



SECTION C-C  
SCALE 2:1

|             |         |                |      |                                       |                        |            |                         |                           |        |  |
|-------------|---------|----------------|------|---------------------------------------|------------------------|------------|-------------------------|---------------------------|--------|--|
| mat'l code  |         | SEE NOTE 2     |      | tolerances unless otherwise specified |                        | CUSTOMER   |                         | FCI                       |        |  |
| ltr         | ecn no. | dr             | date | linear                                | .XX±.01/0.X±0.3        | projection | COPY                    | www.fciconnect.com        |        |  |
| B           |         |                |      | linear                                | .XXY±.005/0.XX±0.13    |            |                         | title 7P + 32S + 6P       |        |  |
|             |         |                |      | angles                                | .XXX±.0020/0.XXX±0.051 |            |                         | VERTICAL PRESSFIT RECEIPT |        |  |
|             |         |                |      | dr                                    | LH 07/13/05            |            | product family PwrBlade |                           | code   |  |
|             |         |                |      | enrg                                  | LH 07/13/05            |            | size                    | dwg no                    | 213    |  |
|             |         |                |      | chr                                   | VICTOR LIN 07/13/05    |            | A 51750-070             |                           | sheet  |  |
|             |         |                |      | appd                                  | JOSEPH HSIA 07/13/05   |            |                         |                           | 2 of 4 |  |
| sheet index |         | revision sheet |      |                                       |                        |            |                         |                           |        |  |

Pro/E

PDM: Rev:B

STATUS: Released

Printed: Dec 20, 2010

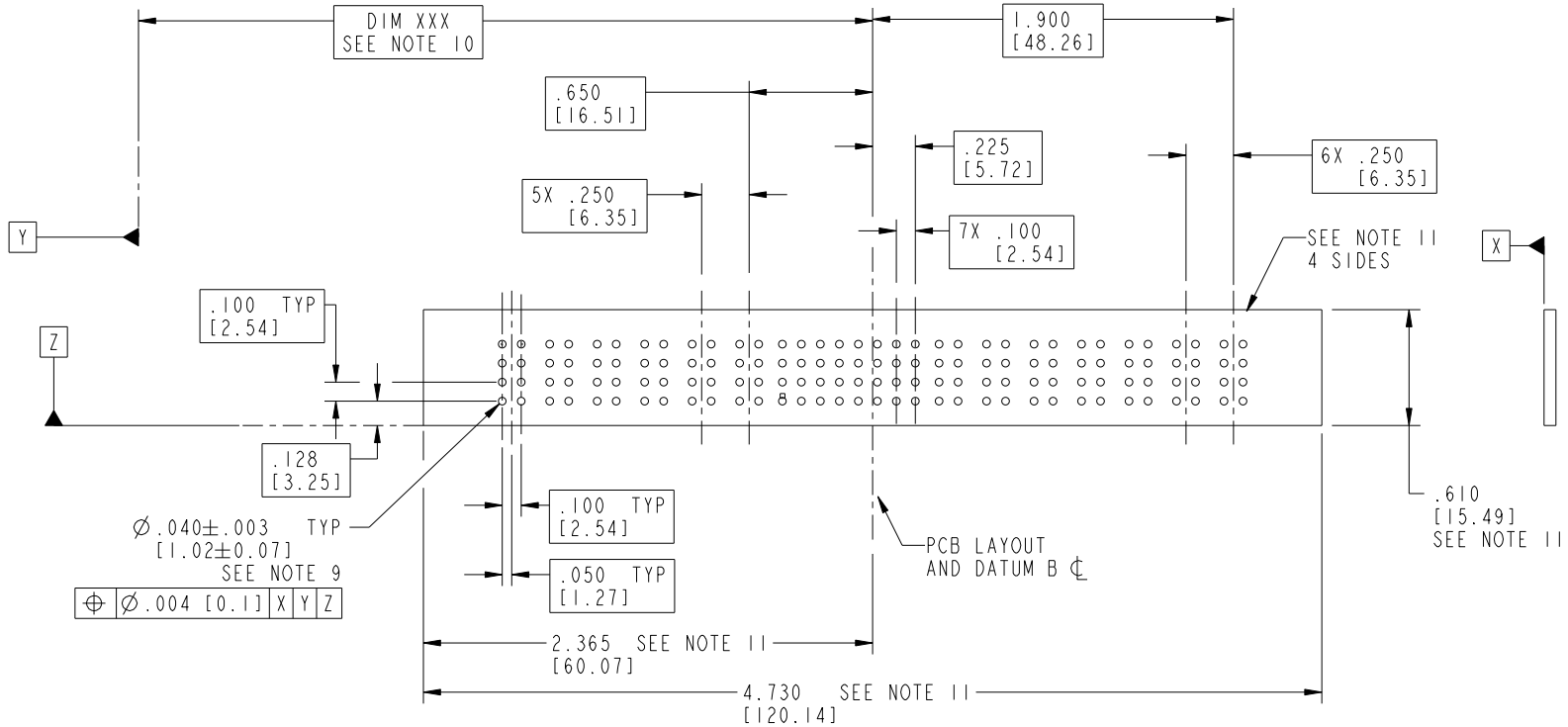
cage code 28536

Tous droits strictement réservés. Reproduction ou communication a des tiers interdite sous quelque forme que ce soit sans autorisation écrite du propriétaire. Propriété de c FCI. Droits de reproduction FCI.



All rights strictly reserved. Reproduction or issue to third parties in any form whatever is not permitted without written authority from the proprietor. Property of FCI. Copyright FCI.

PRODUCT NUMBER  
51750-070\_\_  
NOTE ③



RECOMMENDED PCB LAYOUT

|             |                |            |      |                                       |                        |            |  |                          |  |
|-------------|----------------|------------|------|---------------------------------------|------------------------|------------|--|--------------------------|--|
| mat'l code  |                | SEE NOTE 2 |      | tolerances unless otherwise specified |                        | CUSTOMER   |  | FCI                      |  |
| lir         | ecn no.        | dr         | date | linear                                | .XX±.01/0.X±0.3        | COPY       |  | www.fciconnect.com       |  |
| B           |                |            |      | angles                                | .XXY±.005/0.XX±0.13    | projection |  | title 7P + 32S + 6P      |  |
|             |                |            |      | dr                                    | .XXX±.0020/0.XXX±0.051 | INCH/MM    |  | VERTICAL PRESSFIT RECEPT |  |
|             |                |            |      | enr                                   | 0°+2°                  | scale      |  | product family PwrBlade  |  |
|             |                |            |      | chr                                   | LH 07/13/05            | 1:1        |  | code 213                 |  |
|             |                |            |      | appd                                  | LH 07/13/05            |            |  | size dwg no              |  |
|             |                |            |      |                                       | VICTOR LIN 07/13/05    |            |  | A 51750-070              |  |
|             |                |            |      |                                       | JOSEPH HSIA 07/13/05   |            |  | sheet 3 of 4             |  |
| sheet index | revision sheet |            |      |                                       |                        |            |  |                          |  |

cage code 22526

Pro/E

PDM: Rev:B

STATUS: Released

Printed: Dec 20, 2010

PRODUCT NUMBER  
51750-070\_\_  
NOTE (3)

NOTES:

1. DIMENSIONS AND TOLERANCES ARE IN ACCORDANCE WITH ASME Y14.5M, 1994 UNLESS OTHERWISE SPECIFIED.

CONNECTOR NOTES:

(2) HOUSING MATERIAL: UL 94 V-0 GLASS FILLED HIGH-TEMP THERMOPLASTIC  
POWER CONTACT MATERIAL: COPPER ALLOY  
SIGNAL PIN MATERIAL: COPPER ALLOY

(B) 3. SEE ITEM 7 & 8 IN PRINT 10064183 FOR PLATING SPEC OF 51750-070 AND 51750-070LF RESPECTIVELY.

(4) MANUFACTURER'S NAME, P/N, AND DATE CODE TO APPEAR ON THIS SURFACE.

5. PRODUCT SPECIFICATION GS-12-149.  
APPLICATION SPECIFICATION BUS-20-067.

6. PACKAGED IN TRAYS.

PCB NOTES:

7. ALL HOLE DIAMETERS ARE FINISHED HOLE SIZE.

(8) MOUNTING HOLES, WHERE APPLICABLE, ARE UNPLATED.

(9)  $\varnothing .0453 \pm .0010$  [1.151 ± 0.025] DRILLED HOLES PLATED WITH  
.0003 [0.008] MIN SnPb OVER .001 [0.03]  
TO .003 [0.08] Cu PLATING TO ACHIEVE  
 $\varnothing .040 \pm .003$  [1.02 ± .07] HOLE.

(10) "DIM XXX" TO BE DETERMINED BY THE CUSTOMER.

(11) CONNECTOR KEEP-OUT ZONE.

12. A (B) SYMBOL WILL BE NEXT TO ANY DIMENSION, VIEW, OR NOTE WHICH HAS BEEN MODIFIED WITH THE CURRENT DRAWING REVISION.

|             |                |            |      |                                       |                        |          |  |                              |  |
|-------------|----------------|------------|------|---------------------------------------|------------------------|----------|--|------------------------------|--|
| mat'l code  |                | SEE NOTE 2 |      | tolerances unless otherwise specified |                        | CUSTOMER |  | FCJ                          |  |
| lir         | ecn no.        | dr         | date | linear                                | .XX±.01/0.X±0.3        | COPY     |  | www.fciconnect.com           |  |
| B           |                |            |      | projection                            | .XXX±.005/0.XX±0.13    | INCH/MM  |  | title 7P + 32S + 6P          |  |
|             |                |            |      | angles                                | .XXX±.0020/0.XXX±0.051 | INCH/MM  |  | VERTICAL PRESSFIT RECEPT     |  |
|             |                |            |      | dr                                    | LH 07/13/05            | scale    |  | product family PwrBlade code |  |
|             |                |            |      | enrg                                  | LH 07/13/05            | 1:1      |  | size dwg no 213              |  |
|             |                |            |      | chr                                   | VICTOR LIN 07/13/05    |          |  | sheet                        |  |
|             |                |            |      | appd                                  | JOSEPH HSIA 07/13/05   |          |  | 4 of 4                       |  |
| sheet index | revision sheet |            |      |                                       |                        |          |  |                              |  |

Tous droits strictement réservés. Reproduction ou communication a des tiers interdite sous quelque forme que ce soit sans autorisation écrite du propriétaire. Propriété de c FCI. Droits de reproduction FCI.



All rights strictly reserved. Reproduction or issue to third parties in any form whatever is not permitted without written authority from the proprietor. Property of FCI. Copyright FCI.