

MATERIALS AND FINISHES

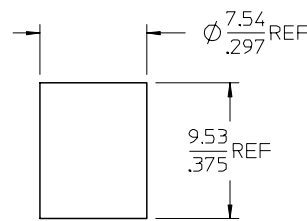
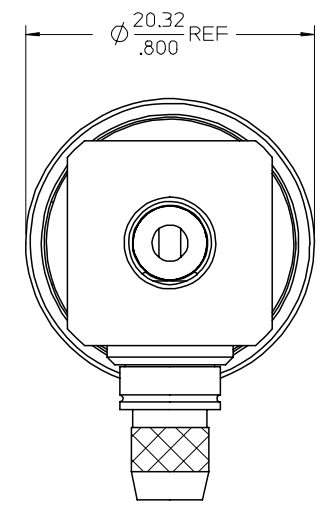
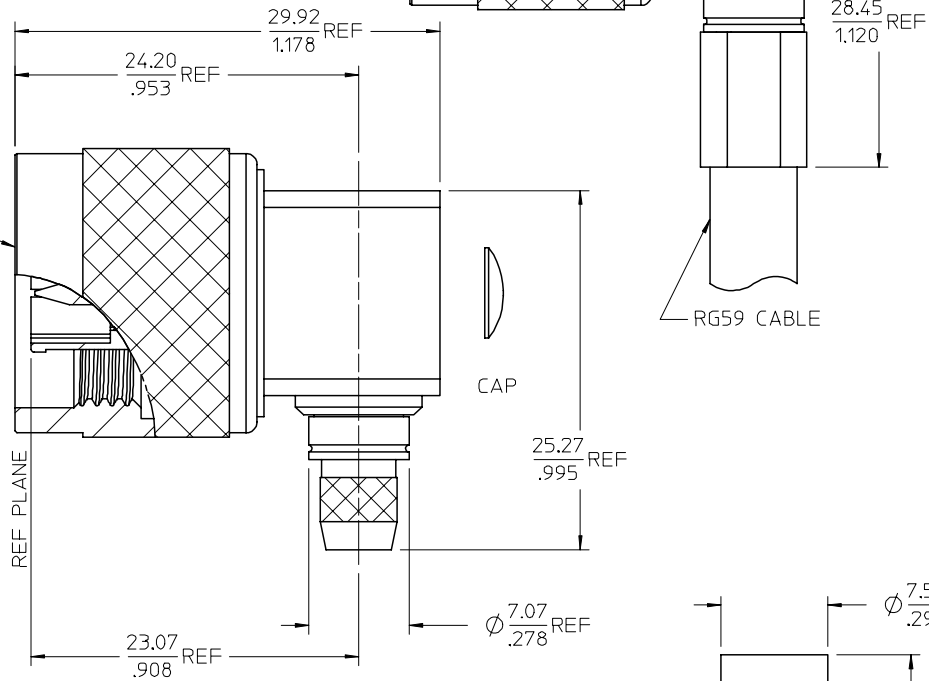
BODY, COUPLING NUT, CAP, OUTER CONTACT BRASS
PLATED NICKEL

CENTER CONTACT BRASS
PLATED GOLD

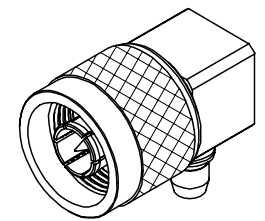
INSULATOR TEFLON

GASKET SILICONE RUBBER

N PLUG
INTERFACE



CRIMP TUBE



PART # 73276-0210

PS-73598-0032	ELECTRO/MECH PERFORM.
AS-89675-0800	CABLE INSTRUCTION
ES-73599-000-005	INTERFACE
SPECIFICATION	DESCRIPTION

CHG: NEW RELEASE FC NO: URF2006-0538 DRAWN: IFLAHERTY 2006/05/31 CHKD: SHAH 2006/05/31 APPR: JIMENER 2006/05/31 REV: A	QUALITY SYMBOLS ▽=0 ▽=0	GENERAL TOLERANCES (UNLESS SPECIFIED)		DIMENSION STYLE MM/IN		SCALE	DESIGN UNITS METRIC	THIRD ANGLE PROJECTION	
		4 PLACES ± --- ± --- 3 PLACES ± --- ± --- 2 PLACES ± --- ± --- 1 PLACE ± --- ± --- ANGULAR ± 2 °	DRAWN BY TEF	DATE 1999/02/15	TITLE N PLUG RA RG59 CRIMP EWR-3116 50 OHM N-PC/RA	MOLEX INCORPORATED		DOCUMENT NO. SD-73276-021	SHEET NO. 1 OF 1
DRAFT WHERE APPLICABLE MUST REMAIN WITHIN DIMENSIONS		MATERIAL NO. 732760210		SIZE C		THIS DRAWING CONTAINS INFORMATION THAT IS PROPRIETARY TO MOLEX INCORPORATED AND SHOULD NOT BE USED WITHOUT WRITTEN PERMISSION			