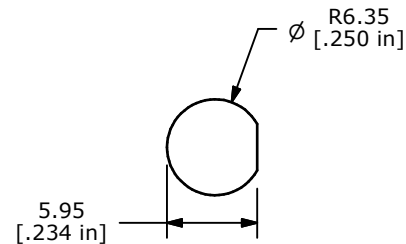
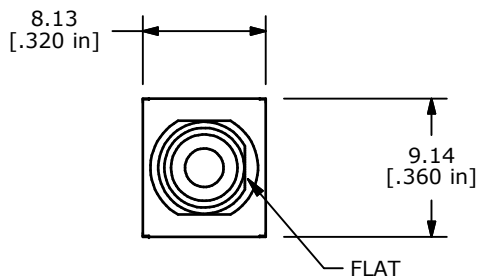
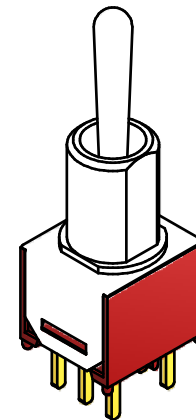


P.C. MOUNTING

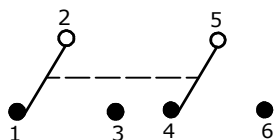


PANEL MOUNTING

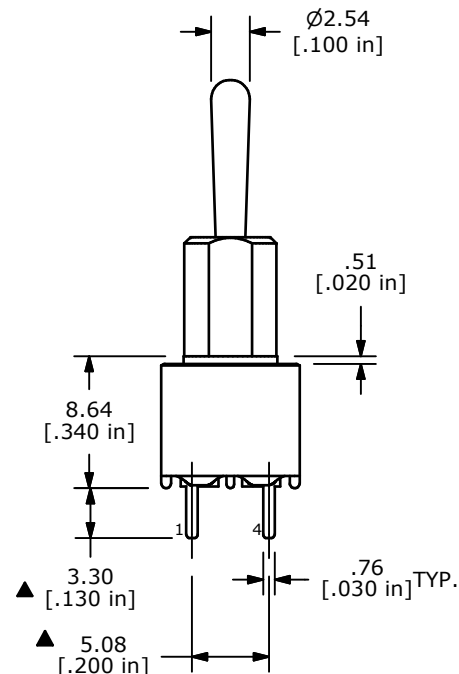
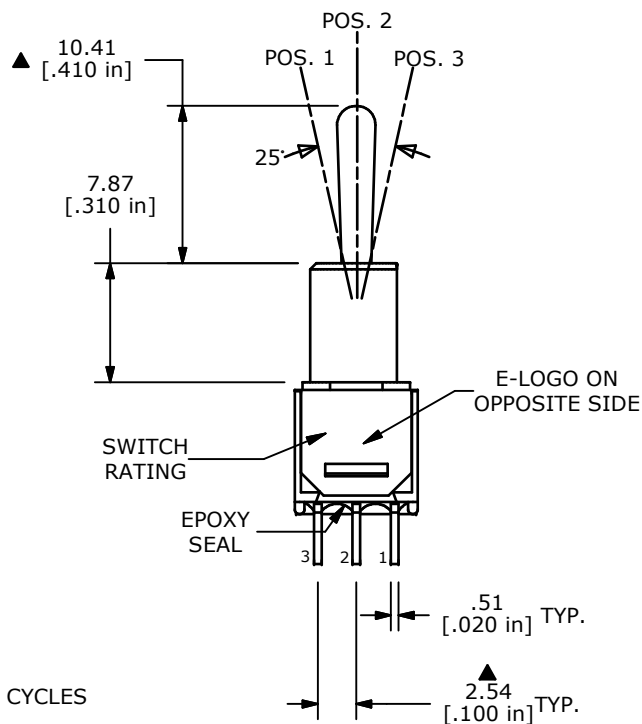


ISOMETRIC

SWITCH FUNCTION		
POS. 1	POS. 2	POS. 3
ON	OFF	ON
2-1, 5-4	OPEN	2-3, 5-6



CIRCUIT: DPDT



NOTE:

1. ALL DIMENSIONS IN MM [INCH]
2. GENERAL TOLERANCE: X.X=±0.4
X.XX=±0.25
3. TERMINAL NUMBERS FOR REF ONLY
- ▲4. PLATING MATERIAL: SILVER
5. RATING: 3AMPS @120VAC OR 28VDC
1AMPS @250VAC
6. LIFE EXPECTANCY: 30,000 MAKE-AND-BREAK CYCLES
AT FULL LOAD.
7. INSULATION RESISTANCE: 1,000 MEGA-OHM MIN.
8. DIELECTRIC STRENGTH: 1,000 V RMS @SEA LEVEL.
9. OPERATING TEMP.: -30°C to 85°C
10. ▲DENOTES CRITICAL PARAMETER.
11. 2002/95/EC (ROHS) COMPLIANT



B	18314	REVISE POS. 2 FUNCTION (WAS NONE)	11/12/08	BLR
A	18285	RELEASE FOR PRODUCTION	10/17/08	BLR
REV	PCR NO	DESCRIPTION	DATE	BY

TITLE 200MDP3T4B6M2QE				
SCALE 2:1	DATE 11/12/2008	DR BLR	DWG T223055	REV B

THE INFORMATION CONTAINED IN THIS DOCUMENT IS PROPRIETARY TO E-SWITCH AND IS NOT TO BE COPIED OR TRANSFERRED