

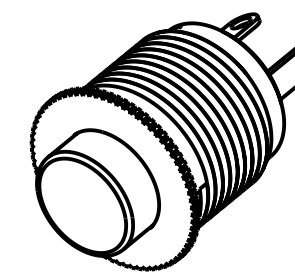
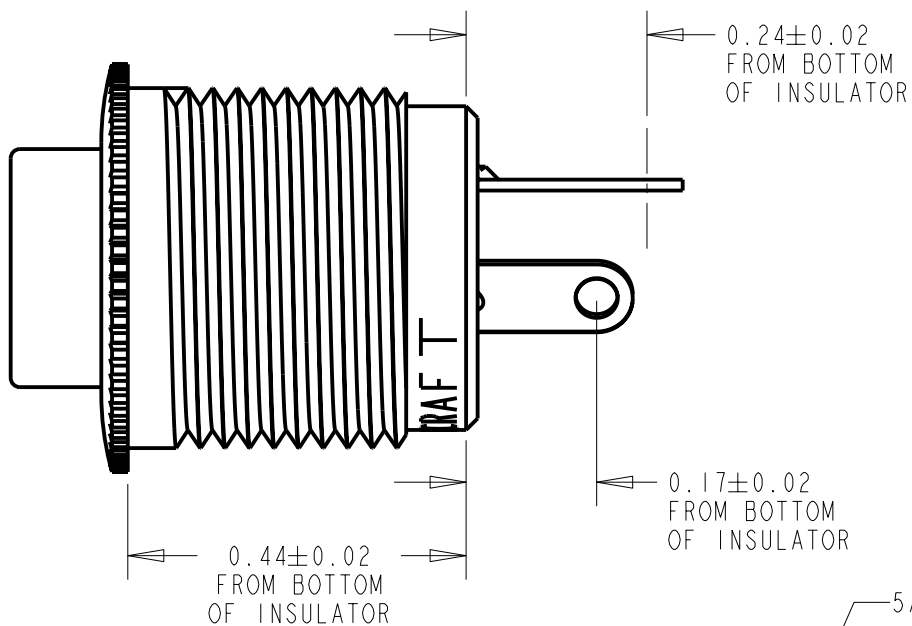
PART NUMBER	PART REV.	BUTTON COLOR	SCHEMATIC
903X	A	RED	I-C
903DX	A	RED	I-D
913X	A	BLACK	I-C
913DX	A	BLACK	I-D

**NOTES:**

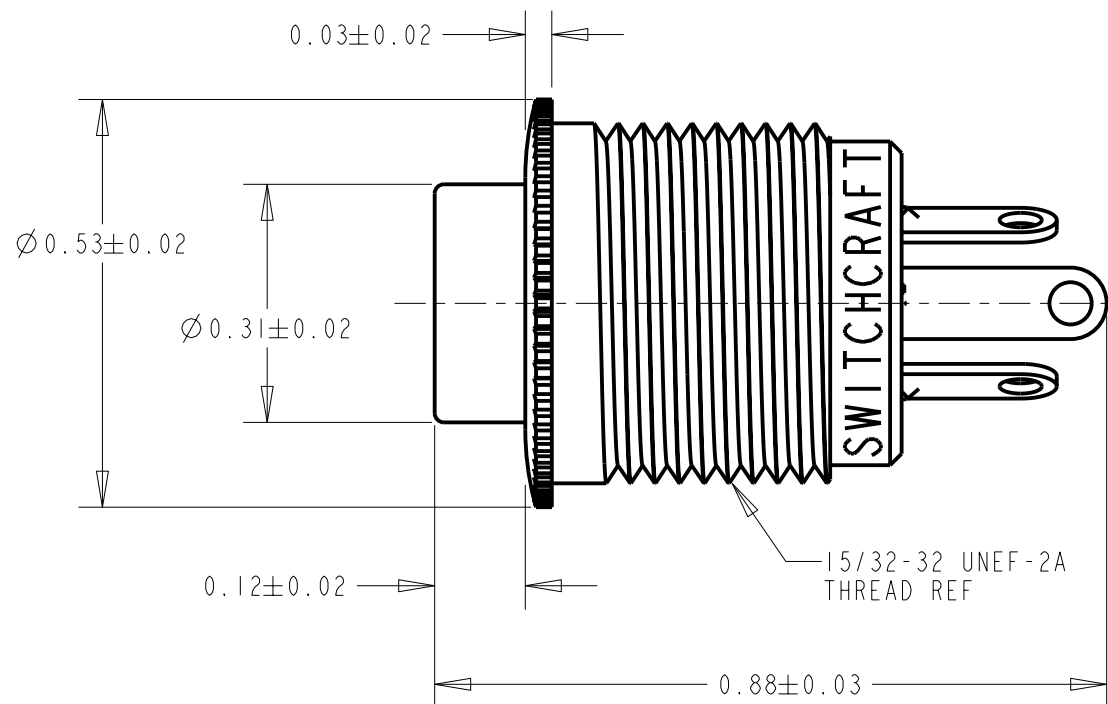
1. WHITE DOT DESIGNATES "I-D SCHEMATIC".
2. HEX NUT AND LOCKWASHER ARE SHIPPED UNASSEMBLED.
3. ALL DIMENSIONS ARE REFERENCE.
4. THESE PRODUCTS ARE RoHS COMPLIANT.

**SPECIFICATIONS:**

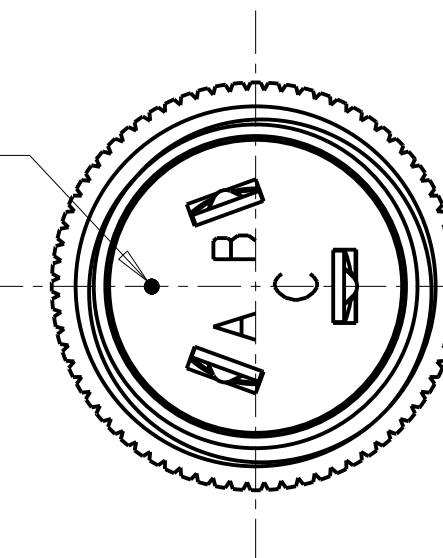
1. PUSHBUTTON - PLASTIC, SEE TABLE FOR COLOR
2. HOUSING - BRASS, NICKEL PLATED
3. TERMINALS - BRASS, SILVER PLATED
4. CONTACTORS - BRASS, SILVER PLATED
5. INSULATORS - PHENOLIC
6. SPRING - SILVER PLATED
7. HEX NUT - BRASS, NICKEL PLATED
8. WASHER - STEEL, NICKEL PLATED



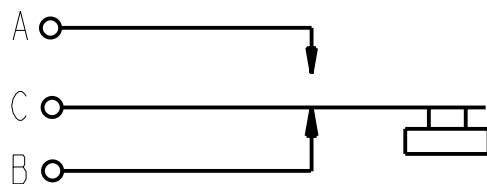
SCALE 2:1



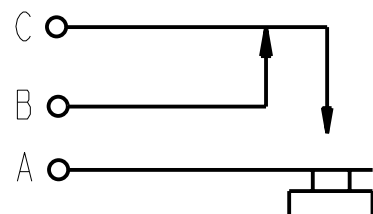
WHITE DOT  
SEE NOTE 1



CUSTOMER DRAWING



903X & 913X  
SCHEMATIC  
I-C



903DX & 913DX  
SCHEMATIC  
I-D

REV	ECO NUMBER	DATE	BY	APVD
A	ECO #25286	1-18-07	TJK	TJK
REVISIONS				

- ★ STAR SYMBOL DENOTES CRITICAL DIMENSION
- UNLESS OTHERWISE SPECIFIED
- 1. ALL DIMENSIONS IN INCHES
  - TWO PLACE DECIMALS ±0.01
  - THREE PLACE DECIMALS ±0.005
  - ANGLES ±1°
  - ALL DIA. CONCENTRIC WITHIN 0.005 T.I.R.
- 2. FEATURES ON THE SAME CENTERLINE MUST BE ALIGNED WITHIN ±0.002
- 3. REMOVE ALL BURRS

DO NOT SCALE DRAWING

THIS DRAWING DESCRIBES A DESIGN CONSIDERED PROPRIETARY IN NATURE, DEVELOPED AND MANUFACTURED BY SWITCHCRAFT INC. AND IS RELEASED ON A CONFIDENTIAL BASIS FOR IDENTIFICATION PURPOSES ONLY.				
SIZE	WIDTH	MULT	LBS/M	TEMPER
FINISH		MATERIAL		
SPEC No.		SPEC No.		
FIRST USED ON		SCALE		
		4:1		
DATE DRAWN	BY	CHKD	APVD	
18-Jan-07	TJK	TJK	TJK	
		1-18-07	1-18-07	
NAME		PART No.		
BUTTON SWITCH, RoHS		903X & 913X 903DX & 913DX		
				REV
				A

