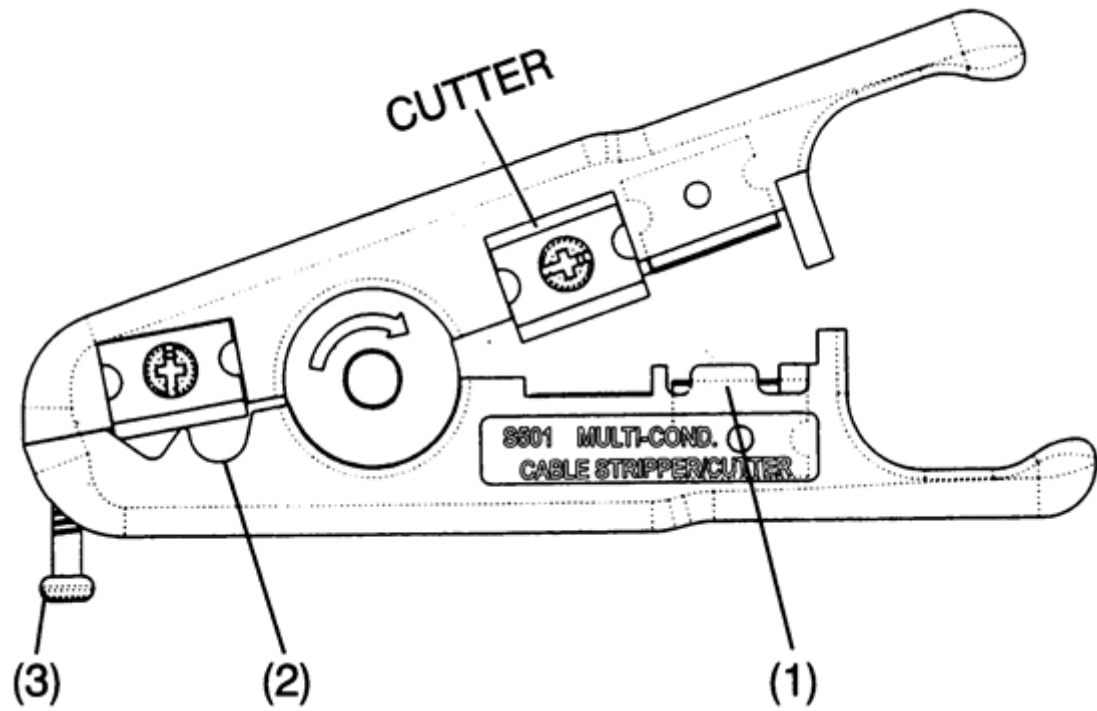


A

B

C

D

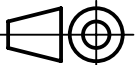



(1) - Flat wire stripper, by inserting cable between the stripper blades.  
Squeeze handles, cable must be keep perpendicular and then pull from the tool.

(2) - Round wire stripper, by rotating 1-3 times  
at counterclockwise, then open the jaw  
and remove the cable jacket.

(3) - Adjusting bolt to control for different cable sizes.

- Delivery including 10 reserve blades

Coating	A=	mm <sup>2</sup>	V=	mm <sup>3</sup>	m=	g	Mat. INELCO p/n 061-501
 All Dimensions in mm Original Size DIN A4	Scale	Free size tol.		Ref.			
	1:1			Sub. TB 09 45 800 0002 03.05.10			
 All rights reserved Department EC PD - DE	Created by	Inspected by	Standardisation	Date	State		
	HASSE	LINDKAMP	HOFFMANN	2013-01-22	Final Release		
HARTING Electronics GmbH		Title			Doc-Key / ECM-Nr.		
D-32339 Espelkamp		HARTING RJ1 Univers cable stripping tool			100527062/UGD/001/A 50000058428		
		Type	Number		Rev.	Page	
		TB	09458000002		A	1/1	