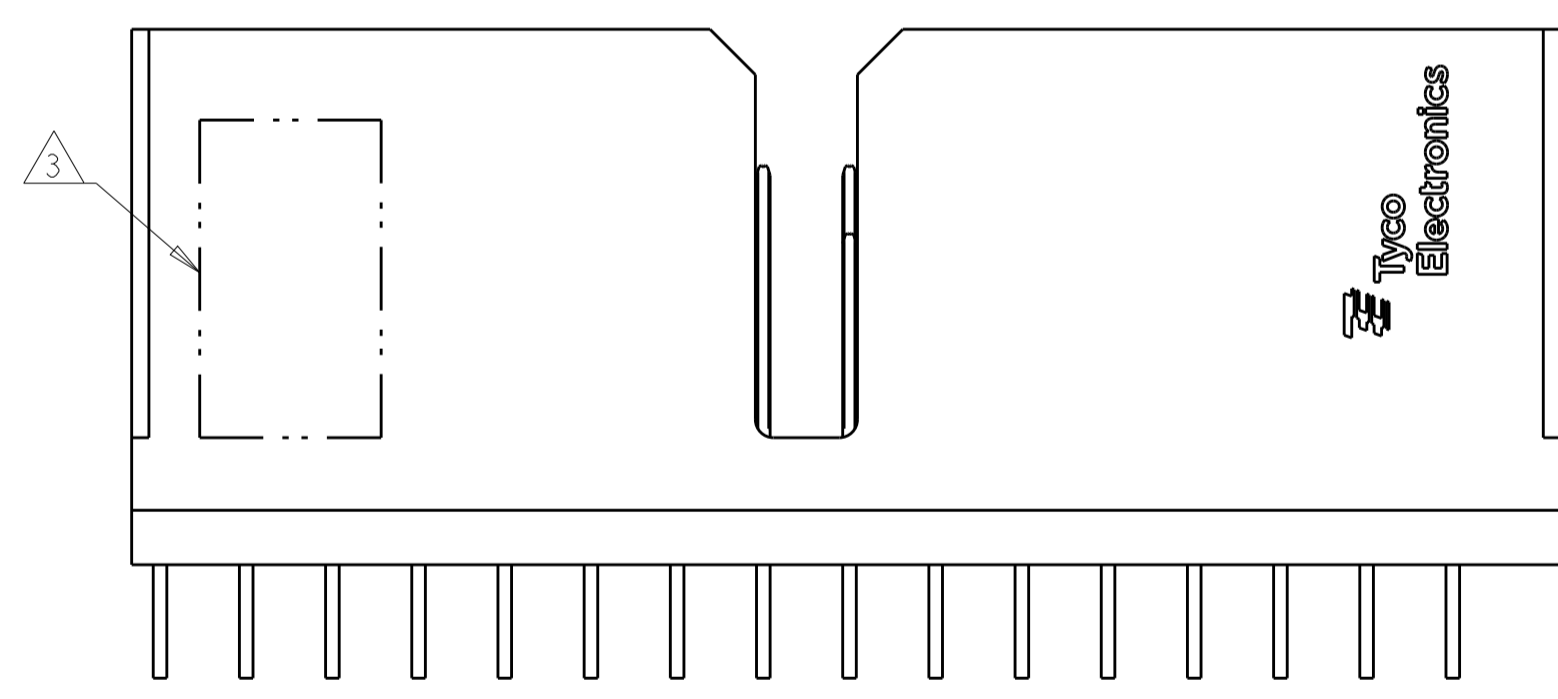
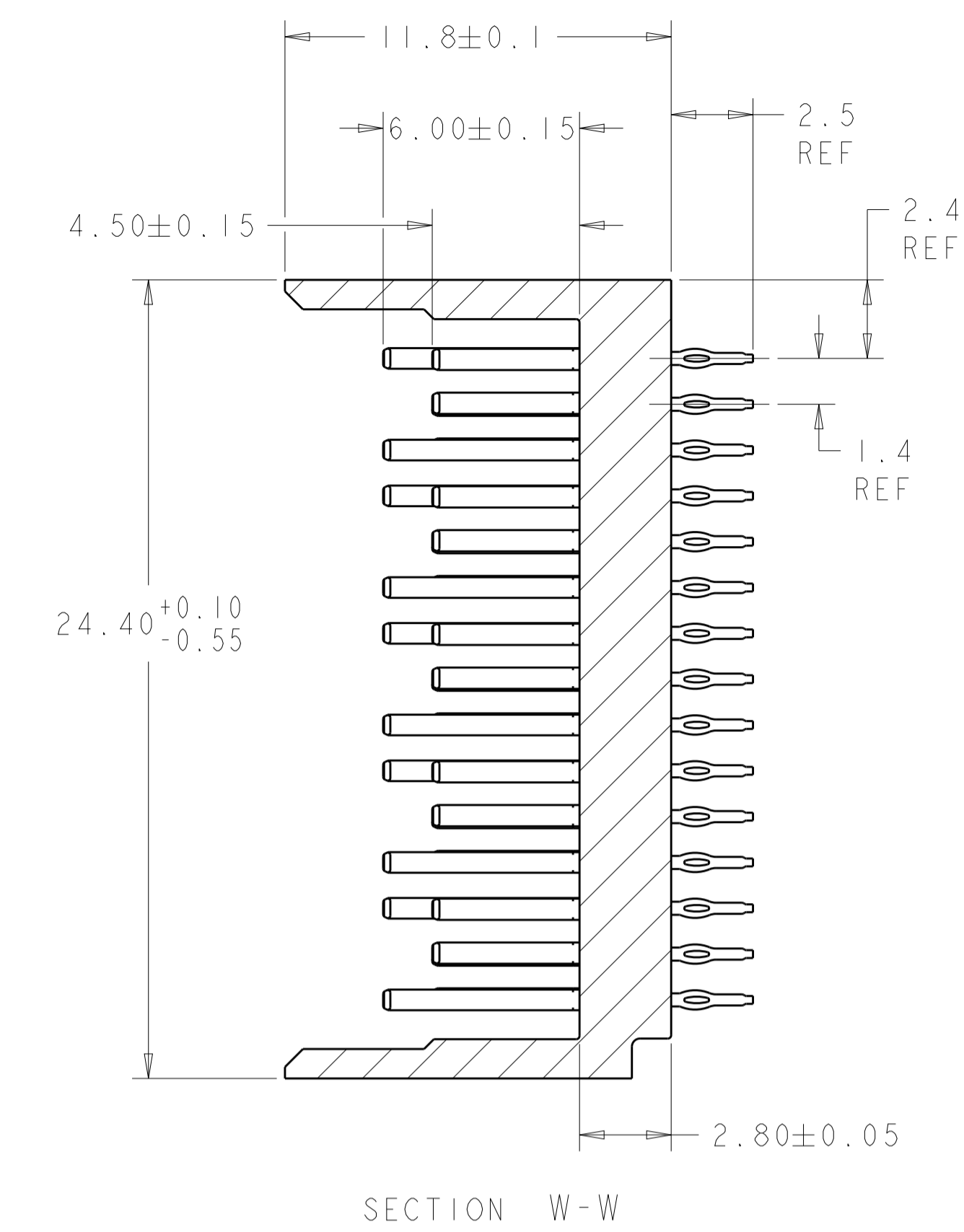
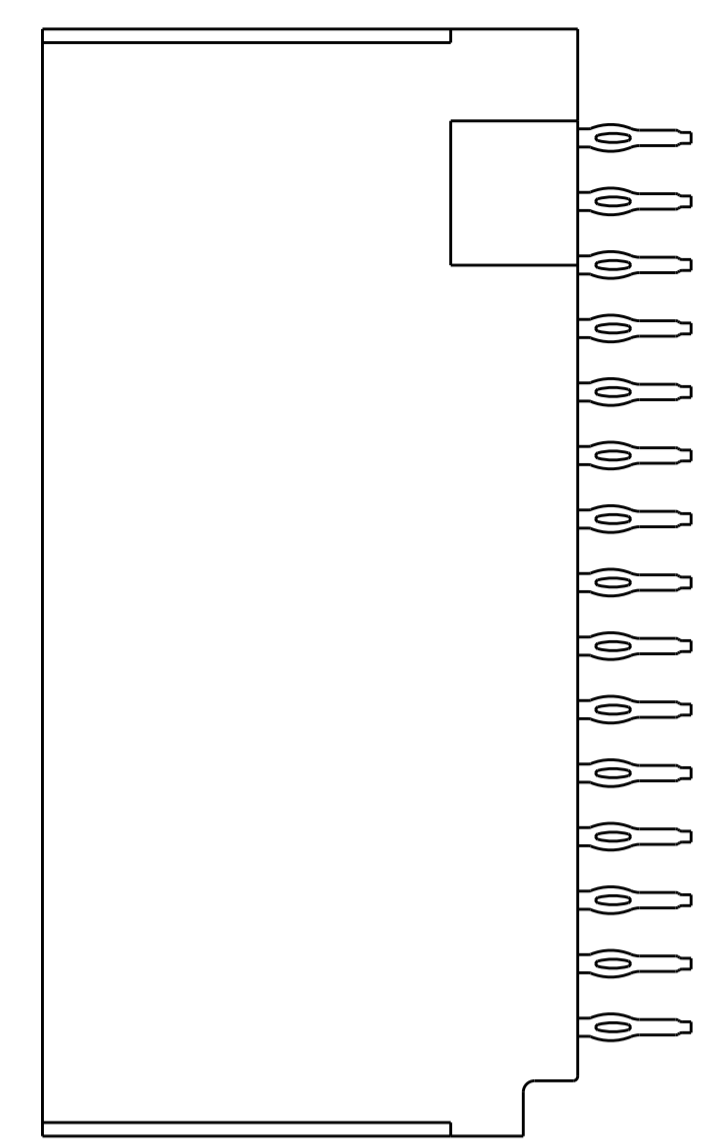
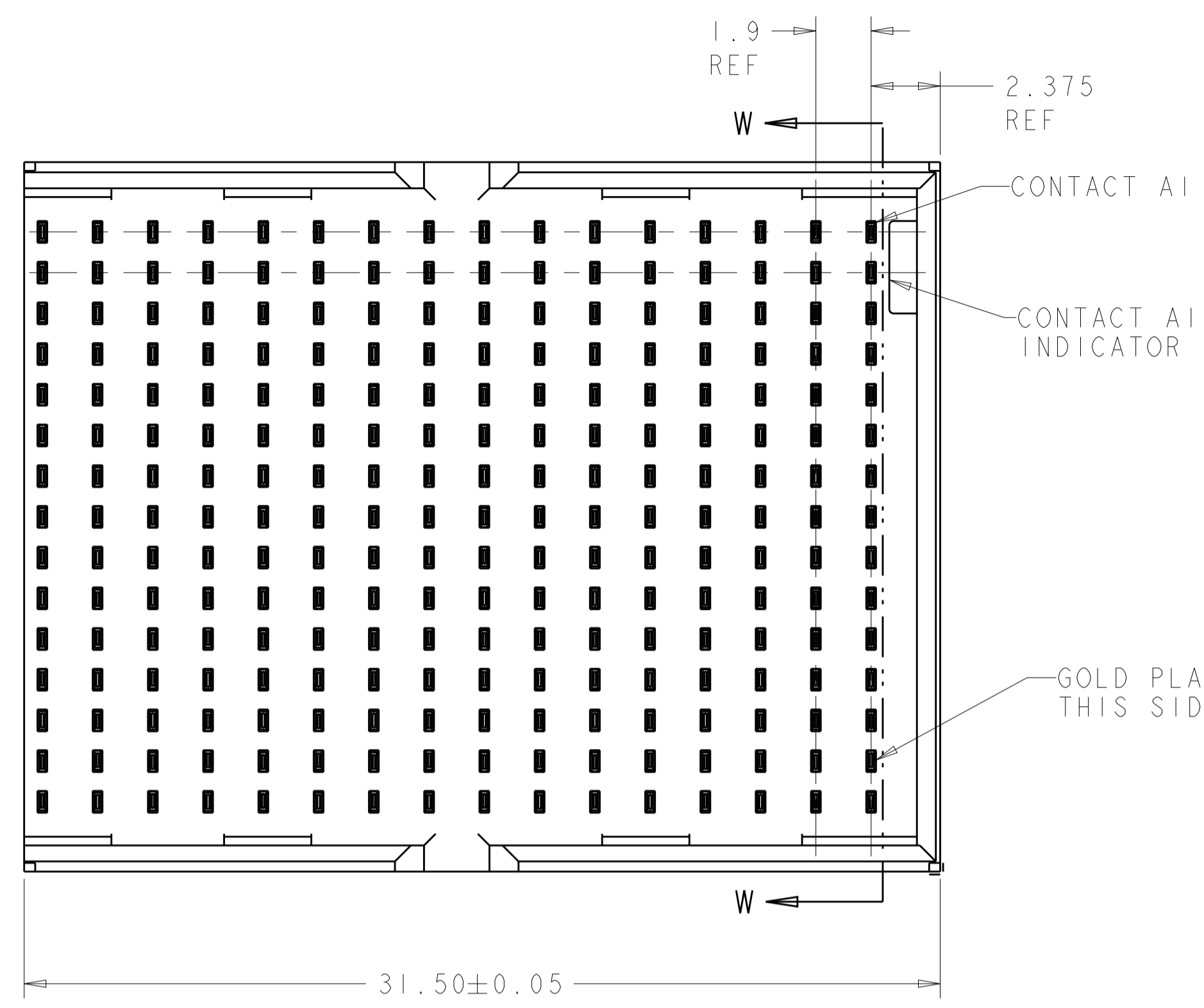
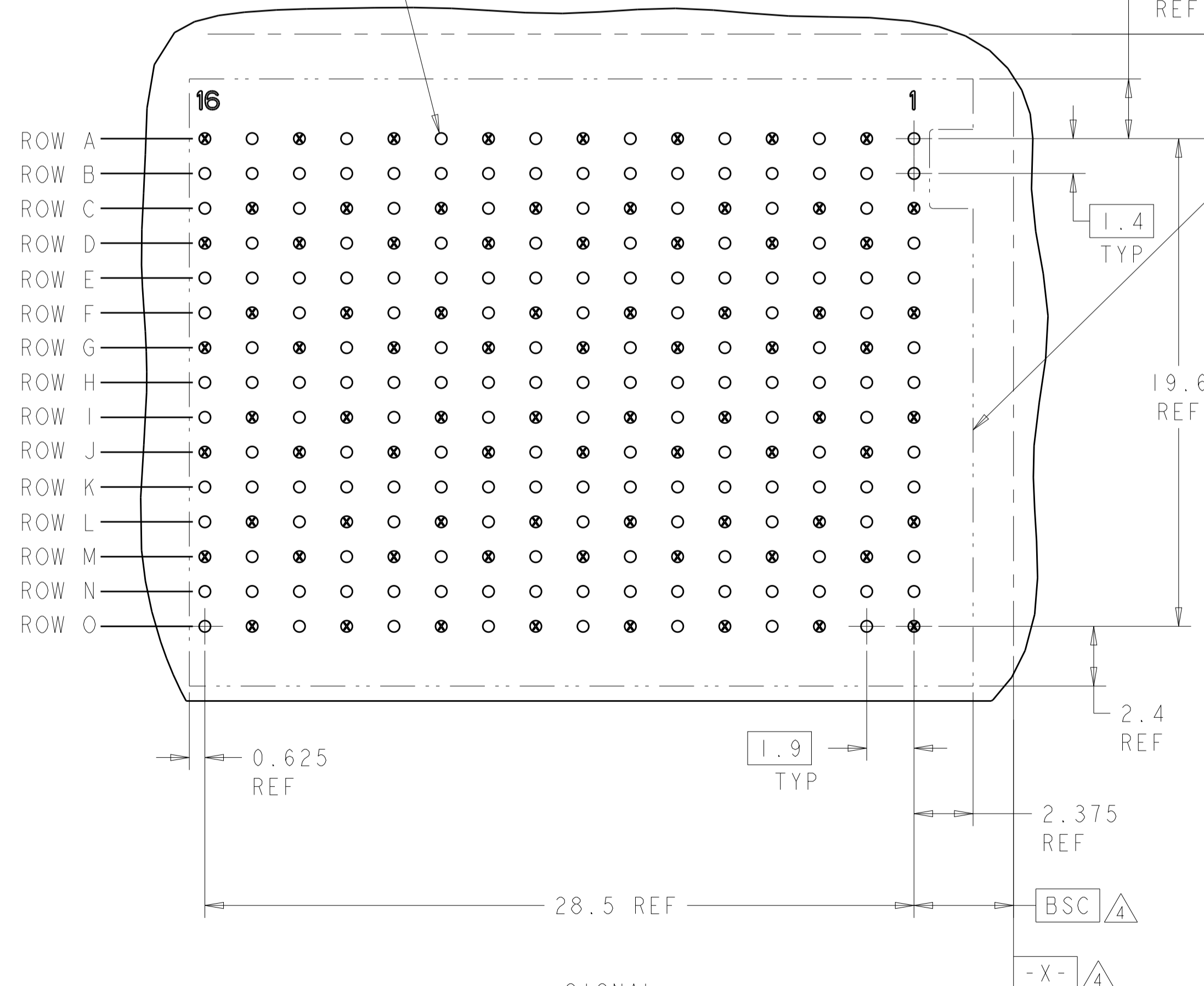


LOC	DIST	REVISIONS			
GP	00	REV	DATE	BY	APPD
F		REVISED PER ECO-13-010626	31JUL2013	KH	RP



⊕ Ø0.05 X Y  
 FINISHING HOLE SIZE AND PLATED THRU HOLES



- 1 MATERIAL:  
CONTACT - PHOS BRONZE  
HOUSING - LCP, UL 94V-0, COLOR - BLACK
- 2 FINISH:  
CONTACT AREA FINISH CONFORMS TO THE REQUIREMENTS OF TE PRODUCT SPECIFICATION 108-2303; BASED ON TELCORDIA GR-1217-CORE FOR SYSTEM QUALITY LEVEL III, APPLICATIONS IN CONTROLLED ENVIRONMENTS (CENTRAL OFFICE).  
COMPLIANT PIN AREA- 0.5µm MIN MATTE TIN OVER 1.27µm MIN NICKEL.
- 3 CONNECTOR MARKED WITH PART NUMBER, DATE CODE AND STANDARD IN APPROXIMATE AREA SHOWN
- 4 DATUMS AND BASIC DIMENSIONS ESTABLISHED BY CUSTOMER.
- 5 CONTACT AREA LUBRICATED WITH BELLCORE APPROVED LUBRICANT. TECHNICAL REFERENCE GR-1217-CORE, ISSUE 1, NOVEMBER 1995.
- 6 REFERENCE APPLICATION SPEC 114-13202 FOR RECOMMENDED PLATED THRU HOLE DIAMETER AND PLATING THICKNESSES.

○ = SIGNAL  
 ⊗ = GROUND  
 RECOMMENDED PC BOARD LAYOUT BACKPLANE,  
 COMPONENT SIDE SHOWN  
 SCALE 6:1

1934333-1  
 PART NUMBER

THIS DRAWING IS A CONTROLLED DOCUMENT.		OWN B.MCMASTER 06JUN2007	
DIMENSIONS: mm		CHK W.DAVIS 06JUN2007	
TOLERANCES UNLESS OTHERWISE SPECIFIED:		APVD W.DAVIS 06JUN2007	NAME HEADER ASSEMBLY, LEFT WALL, 5 PAIR 16 COLUMN TinMan
0 PLC ±	1 PLC ±	PRODUCT SPEC	SIZE A1
2 PLC ±	3 PLC ±	APPLICATION SPEC	CAGE CODE C=1934333
4 PLC ±	ANGLES ±	FINISH	RESTRICTED TO
MATERIAL	FINISH	WEIGHT	SCALE 6:1 SHEET 1 OF 1 REV F
CUSTOMER DRAWING			