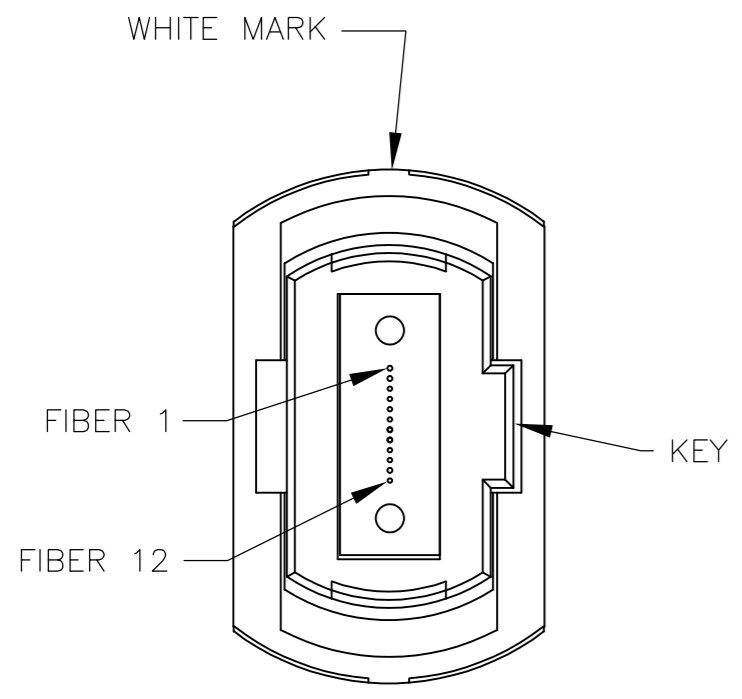
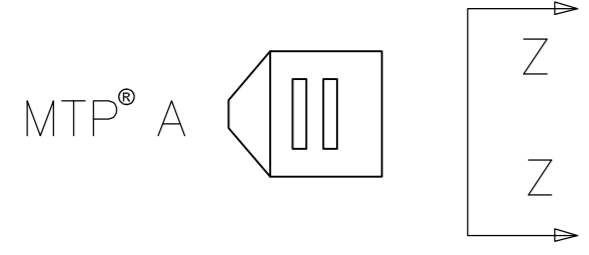
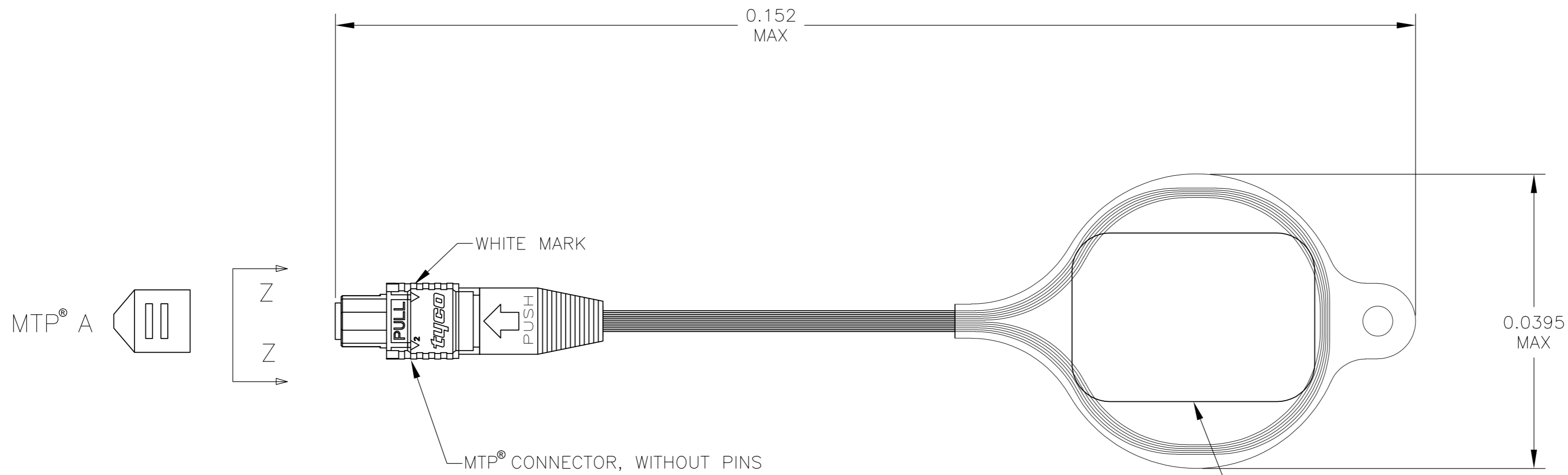


THIS DRAWING IS UNPUBLISHED. RELEASED FOR PUBLICATION
 © COPYRIGHT - By - ALL RIGHTS RESERVED.

LOC	DIST	REVISIONS					
CE	00	P	LTR	DESCRIPTION	DATE	DWN	APVD
		A		RELEASE PER ECR-14-018495	16DEC2014	HZ	RZ



MTP [®] FIBER #
1-12
2-11
3-10
4-9
5-8
6-7

CONNECTOR FIBER PATH

- 1 MAXIMUM CABLE ASSEMBLY INSERTION LOSS AT 850nm.
- 2. PRODUCT AND PROCESSING MUST MEET REQUIREMENTS OF TEC-138-702.

1.0	2123391-2
MAX IL (dB) $\triangle 1$	PART NUMBER

THIS DRAWING IS A CONTROLLED DOCUMENT.		DWN	B.BRIGGS	18JAN2013		TE Connectivity																	
DIMENSIONS: METERS		CHK	J.DUNCAN	18JAN2013		NAME																	
TOLERANCES UNLESS OTHERWISE SPECIFIED:		APVD	J.DUNCAN	18JAN2013		CABLE ASSEMBLY, FIBER OPTIC, 50/125um, 12 FIBER, LOOPBACK, MTP [®]																	
<table border="1"> <tr><td>0 PLC</td><td>±</td><td>-</td></tr> <tr><td>1 PLC</td><td>±</td><td>-</td></tr> <tr><td>2 PLC</td><td>±</td><td>-</td></tr> <tr><td>3 PLC</td><td>±</td><td>-</td></tr> <tr><td>4 PLC</td><td>±</td><td>-</td></tr> <tr><td>ANGLES</td><td>±</td><td>-</td></tr> </table>		0 PLC	±	-		1 PLC	±	-	2 PLC	±	-	3 PLC	±	-	4 PLC	±	-	ANGLES	±	-	PRODUCT SPEC	-	
0 PLC	±	-																					
1 PLC	±	-																					
2 PLC	±	-																					
3 PLC	±	-																					
4 PLC	±	-																					
ANGLES	±	-																					
MATERIAL	FINISH	WEIGHT	-		SIZE	A2	CAGE CODE	00779	DRAWING NO	C=2123391	RESTRICTED TO	-											
-		-		CUSTOMER DRAWING		SCALE	NTS	SHEET	1 of 1	REV	A	-											